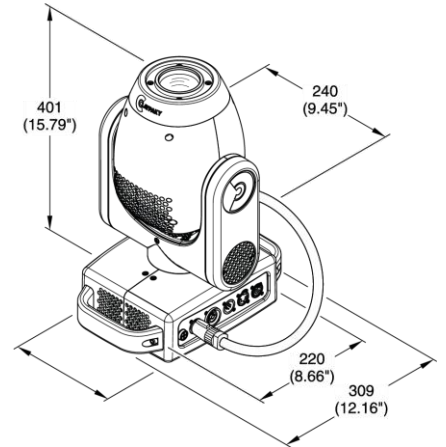
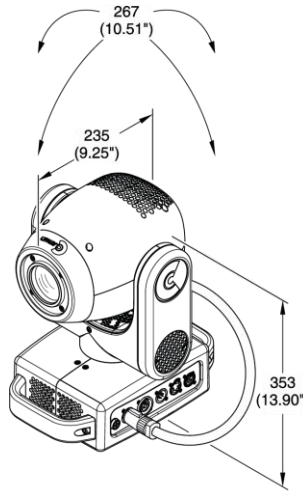


MODEL: MINI-B SPOT

CODE: CL3025

November 20, 2025



LIGHT SOURCE:

- Source type:** • Custom white LED
- Power:** • 70 W
- Color temperature:** • 7000 K
- CRI:** • 70+

LED life expectancy: • 20.000 Hrs L70*

* It may vary depending on various factors, such as the type of use and environment

PHOTOMETRIC DATA:

- Zoom range:** • 13° - 43°
- Lm output:** • 3450 Lm (integrating sphere)
- Front lens:** • Ø 60 mm
- Optical syt.:** • High efficiency

NOISE LEVEL:

- | | | |
|-----------------------|-------------|----------|
| Fixed presets: | • Theatre: | 29.0 dBA |
| | • Silent: | 31.0 dBA |
| | • Auto: | 35.8 dBA |
| | • Constant: | 49.9 dBA |

CONTROL & CONNECTIONS:

- Personalities:** • 1 mode with 19 control channels
- Protocols:** • DMX, Art-Net, sACN, RDM
- Connectors:** • Locking 5 pin XLR IN/OUT
• RJ45 IN
- Power con.:** • PowerCon True1 IN/OUT
- Web server:** • Built-in
- CloudIO:** • Fully compatible

DYNAMIC EFFECTS:

- Colors:** • Fixed color wheel with 7 dichroic colors
- Gobos:** • 1 rotating gobo wheel with 7 HD indexable and replaceable gobos
- Frost:** • Linear soft edge frost 5°
- Rotating effects:** • 4 facet prism with rotation in both directions, at variable speed

- Movement:**
- Tilt: 270° - 16 bit
 - Pan: 540° - 16 bit
 - Automatic repositioning
 - Mechanical Pan/Tilt lock for safe transportation and maintenance
- Beam:**
- Motorized zoom and focus
- Dimmer / Shutter:**
- High resolution electronic dimmer - 24 bit, 4 curves
 - High speed electronic shutter and strobe

HARDWARE & SOFTWARE:

- Long life self-charging battery
- Display graphic LCD backlit B/W display
- Firmware upload from another fixture
- Firmware upgrade via Web Server
- Diagnostic
- DMX monitoring
- Remote access through RDM

HOUSING:

- Aluminium and steel structure with plastic covers
- Two side handles for transportation
- IP20 protection rate
- Working in any position
- Hanging system: with fast-lock Omega clamps (1/4 turn on the base)
- Optional safety chain

ELECTRICAL:

- Operating voltage:**
- 100-240V, 50/60 Hz
- In/Out MAX:**
- 16(8) fixtures @ 200-240Vac (@ 100-120Vac); Max 2200W; Max 10A
- Power Supply:**
- Electronic auto range with active PFC
- MAX power consumption:**
- 140W

THERMAL SPECIFICATION:

- MAX Ambient temperature:**
- 45°C (113°F)
- Min Ambient Temperature:**
- -20°C (-4°F)
- MAX temp. of the ext. surface:**
- 90°C (194°F)
- Total heat dissipation:**
- 478 BTU/hr ±10% / 504 kJ/hr ±10%

SAFETY SPECIFICATIONS:

- Min. dist. of illum. objs:**
- 0.5 m (1'8")
- Min. dist. from flamm. mat.:**
- 0.2 m (8")
- Protections:**
- Thermally protected power supply (overheating and cooling failure)
 - Forced ventilation with axial fans
 - Fuse T2.5A – 250V

COMPLIANCE:

CE Marking (in conformity to the following):

- 2014/35/EU – Safety of electrical equipment supplied at low voltage (LVD)
- 2014/30/EU – Electromagnetic Compatibility (EMC)
- 2011/65/EU - Restriction of the use of certain hazardous substances (RoHS)
- 2009/125/EC - EcoDesign requirements for Energy-related Products (ErP)

UKCA conforms to UK regulations:

- S.I. 2016 N. 1101
- S.I. 2016 N. 1091
- S.I. 2012 N. 3032
- S.I. 2021 N. 745

cMETus LISTED:

- UL 1573:2003
- CSA C22.2 N.166:2015

PACKAGING:

- Carton box + Polystyrene
- Carton box + Foam shell
- Flight case + Foam shell (8 positions)

WEIGHT & SIZES:

- Weight:**
- 8.5 Kg (18.7 lbs)
- Base dim.s:**
- 220 x 186 mm
 - 8.66 x 7.32 In
- Height with vert. head (h):**
- 401 mm
 - 15.79 In
- Dist. b/t 2 fixt:**
- 400 mm

ACCESSORIES:

- Omega bracket:**
- 1x 381014/801 (Included)
- ETL Power:**
- CAB02B/802 (Included)*
- * Cord 1.5 m (bare end with IP65 PowerCon True1 conn.)
- Flight case (8 pos):**
- CF1019F (Optional)
- Foam shell:**
- F21335/001 (Optional)
- Safety Chain:**
- 105015/802 (Optional)
- Clamp:**
- C21070 (Optional)
- Handles:**
- CA3001000100 (Optional)