

PODMIC USB

VERSATILE DYNAMIC BROADCAST MICROPHONE

The PodMic USB is an ultra-versatile dynamic microphone that delivers broadcast-quality voice capture for a wide variety of applications, including podcasting, content creation, video production, streaming and gaming. It is incredibly flexible, offering both XLR and USB connectivity for connecting to an audio interface or mixer or directly to a computer for plug-and-play recording. For even more versatility, the PodMic USB is also compatible with iOS and Android mobile devices, offering a high-quality portable podcasting or streaming solution. It features a high-power neodymium dynamic capsule that delivers warm, highly detailed audio with incredible clarity, plus an internal pop filter for minimising plosives, internal shock mount for reducing vibrations, and a swing mount for easy positioning. The digital USB output features RØDE's ultra-low-noise, high-gain Revolution Preamp™ and powerful APHEX® digital signal processing for capturing studio-quality sound with ease, with a high-power headphone output for zero-latency monitoring.

- Broadcast-quality dynamic microphone
- High-power neodymium capsule for warm, highly detailed audio capture
- USB-C and XLR connectivity
- Ultra-low-noise, high-gain Revolution Preamp™
- On-board DSP for advanced APHEX® audio processing, including a compressor, noise gate, high-pass filter, Aural Exciter™ and Big Bottom™
- Internal pop filter for minimising plosives and internal shock mount for reducing vibrations
- Integrated swing mount for easy positioning
- Professional pop filter included
- Fully compatible with RØDE's suite of apps, including RØDE Connect, RØDE Capture and UNIFY
- Robust all-metal construction
- Designed and made in RØDE's precision manufacturing facilities in Sydney, Australia



●
Black



○
White



BROADCAST
QUALITY



XLR & USB
CONNECTIVITY



STUDIO-GRADE
PROCESSING



ACOUSTIC & ELECTRICAL SPECIFICATIONS

Acoustic Principle:	Dynamic
Polar Pattern:	Cardioid
Address Type:	End
Frequency Range:	20Hz - 20kHz
Output Impedance:	460Ω (XLR)
Maximum SPL:	148dB SPL
Equivalent Noise (A-Weighted):	Analogue: 26dBA Digital: 19dBA
Sensitivity:	-57 dB re 1 Volt/Pascal (1.4 mV @ 94 dB SPL) +/- 3dB
Analogue Output Connectors:	3-pin XLR, 3.5mm headphone jack

RØDE

DIGITAL SPECIFICATIONS

Digital Power Requirements:	Via USB: 5V @ 100mA
Output Connection:	USB-C
Bit Depth:	24-bit
Sampling Rate (kHz):	48 kHz
Processing:	APHEX® processing
Minimum OS Requirements:	Windows 10 Mac OS 10.15

MECHANICAL SPECIFICATIONS

Weight (grams):	900
Dimensions: (millimetres)	Length: 172 Width: 107 Height: 62
Compatible RØDE Accessories:	<ul style="list-style-type: none">• Pop Filter• SC29 - 3m USB-C Cable
Included Software:	RØDE Central RØDE Connect RØDE Unify RØDE Reporter RØDE Central Mobile RØDE Capture

WHAT'S IN THE BOX



PodMic USB

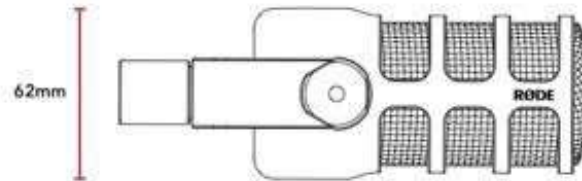
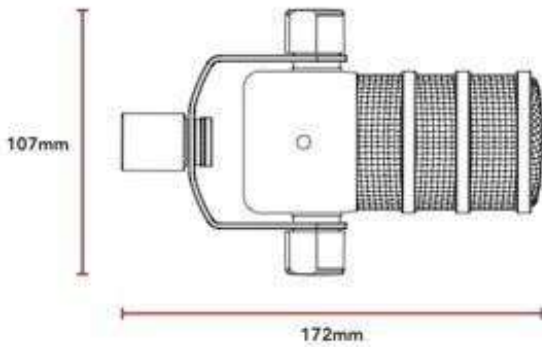


Pop Filter

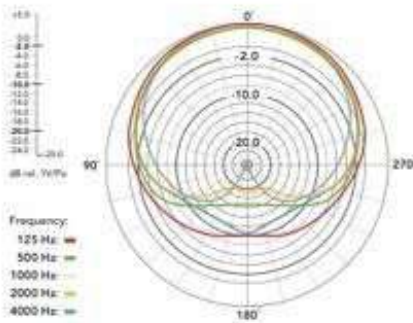


SC29

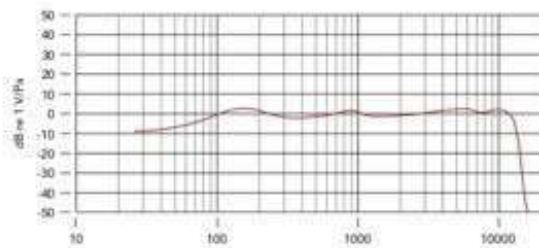
DIMENSIONS



POLAR PATTERN



FREQUENCY RESPONSE



RØDE