

LITELEES®

NEWS WINTER 2020



Company Profile

Guangzhou Lees Electronics Co., Ltd. is a high-tech enterprises, specialized in the design, development, manufacturing, sale and service of the professional stage lighting equipments.

The company occupies 15,000sqm of production and office area and 4 assembly lines, and modern R&D laboratory, New Products Testing workshop and Electronics workshop. The company has been certified ISO9001 quality management system.

From the beginning of the establishment of the company, Litelees has been insisting on the independent research and innovation with its own programming, electronics and mechanical engineers teams.

Until now, the company has obtained more than 30 patents and all the product has been certified by CE, Rohs, FCC and BIS.

Strictly selecting of the suppliers and inspection of the materials and advanced production management are the assurance of the high quality and stability of the products.

The high efficient sales and service team is able to provide you a fast and accurate service before and after the sales. It is our R&D concept to focus on the developing of characteristic, valuable and innovative products; Customer-oriented and long-term cooperation is our sales and service concept.

After years developing, the products family has been expanded to the following series: Beam, BeamSpot/Wash 3-in-1, LED Spot and Beam, Big Eye LED Wash Effect and other moving head products. The products have been used in the concert, tour, TV station, theatre, church, club and many other projects in China and more than 70 counties all over the world.

Continual innovation is our know-how of fast growing. We will launch more and more advanced and market-oriented products.

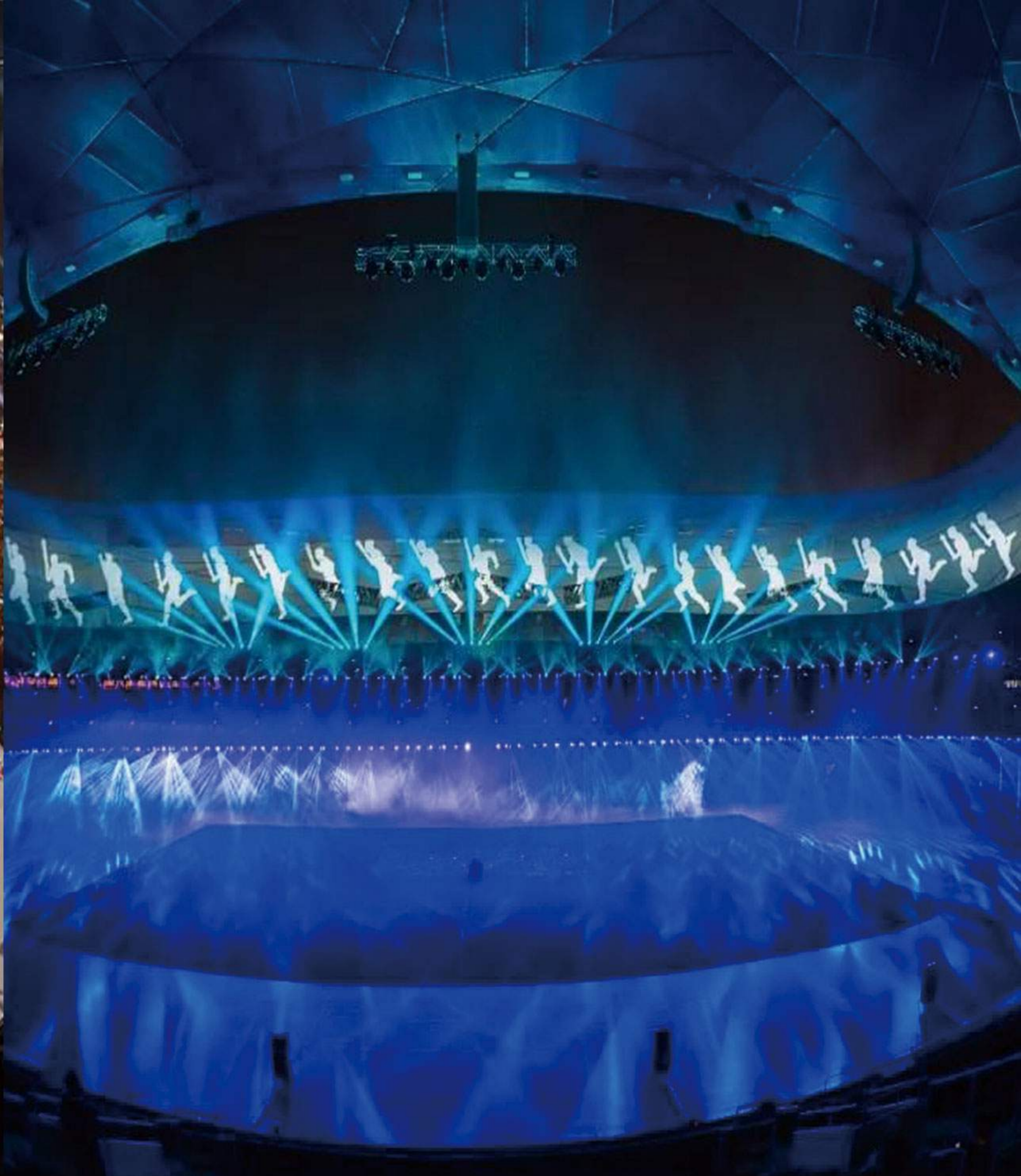
We are expecting to cooperate with the customers and provide the quality products and service to your great show.

High-tech enterprises certificate





160 PCS BIG EYE L10R supported 2018 Pyeongchang Olympic Winter Games opening ceremony in Korea.



100 PCS BIG EYE L4019 in Lighting Show Of 10 Years Olympic Anniversary In Beijing Bird's Nest



100 pcs LE-Spot 330 Pro and 70 pcs BIG EYE L4019 Supported China Central Television <Double Ninth Festival Party>.



100 pcs LE-Beam 100 Supported China Central Television <Battle Against Poverty>TV show.



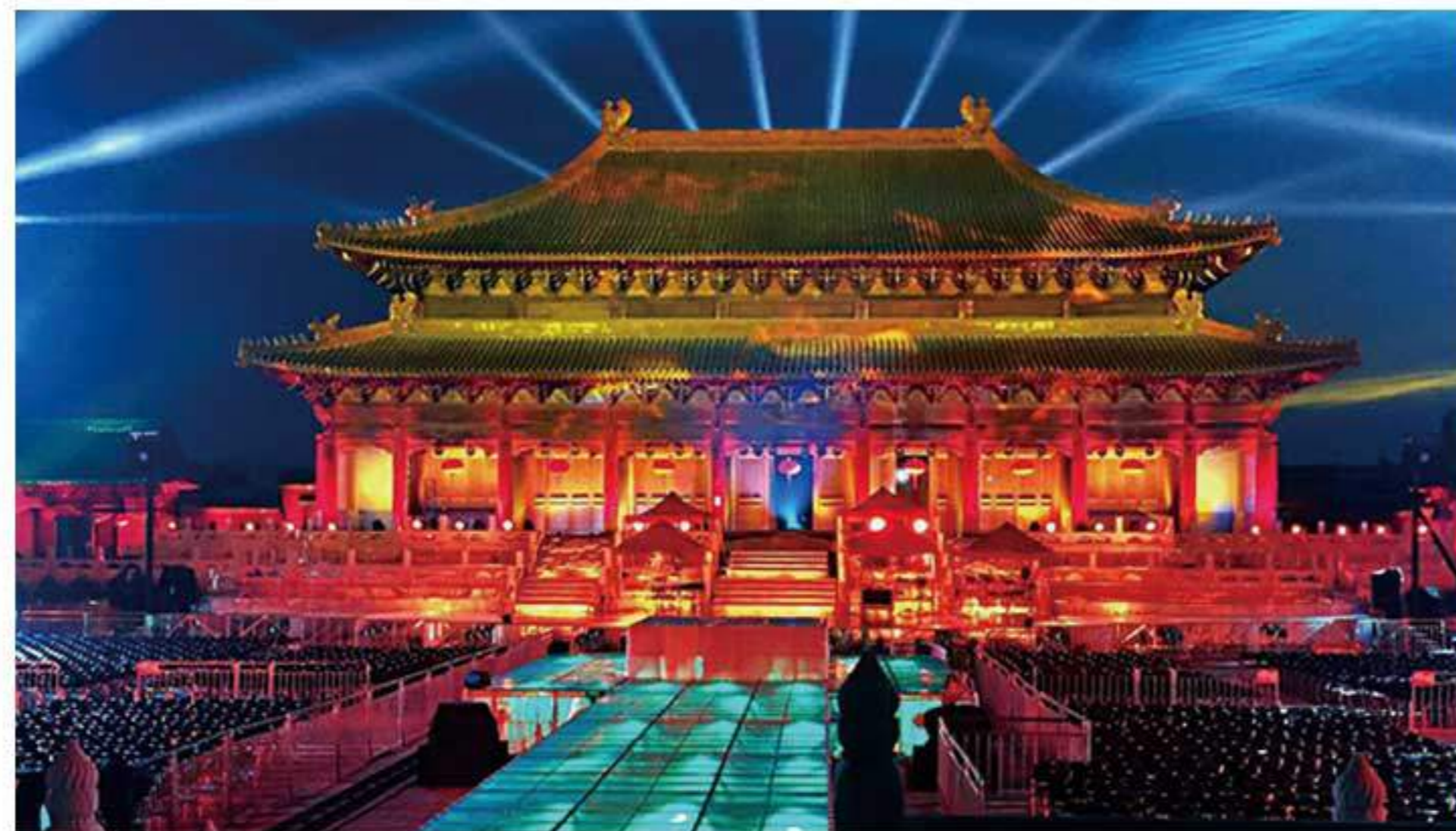
184 pcs BIG EYE L4007R Supported China Central Television <Chinese Folk Song Festival> TV show.



80 PCS BIG EYE L4019 supported JJ Lin Sanctuary World Tour



Spanish bar (Pelicano bar)—
150 x 7R Beam/40 x BIG EYE L10R/16 x Big Hero 350



Annual International Jackie Chan Action Movie Week—
100 x BIG EYE L4019



India TV show<Asianet TELEVISION AWARDS 2019>—
70 x Big Hero 350



Malaysian Theatre— 8 x BIE EYE L10R



Swiss Circus(Salto Natale)—29 x BIG EYE L4019/15 x BIG
EYE L10R/40 x Super Hero 470 Pro/13 x LE-Spot 330 Pro



New Caledonia Concert—24 x Hero 470 Pro



English Church—20 x BIG EYE L10R



CNBLUE<Live in Jakarta Ice Bsd Concert—
50 x Super Hero 470 Pro



Malaysian Leaders Commend Conference—
48 x Big Hero 350



BIG EYE L10R

Wash/Beam/Graphic/Effects 4-in-1

RDM LED RGBW Osram

Technical parameters

Power supply

AC110-240V 50/60 Hz

Power consumption: 480W

Light source

19*15W RGBW 4 in1 Osram LEDs

Individual LED control

Color temperature : 2500K-8000K

Effect

Zoom angle: 4-60°; 14000lux@5m@Min angle

Wash/Beam/Graphic/Effects function

Front lens can rotated infinity

With“vortex”and “kaleidoscope” effects

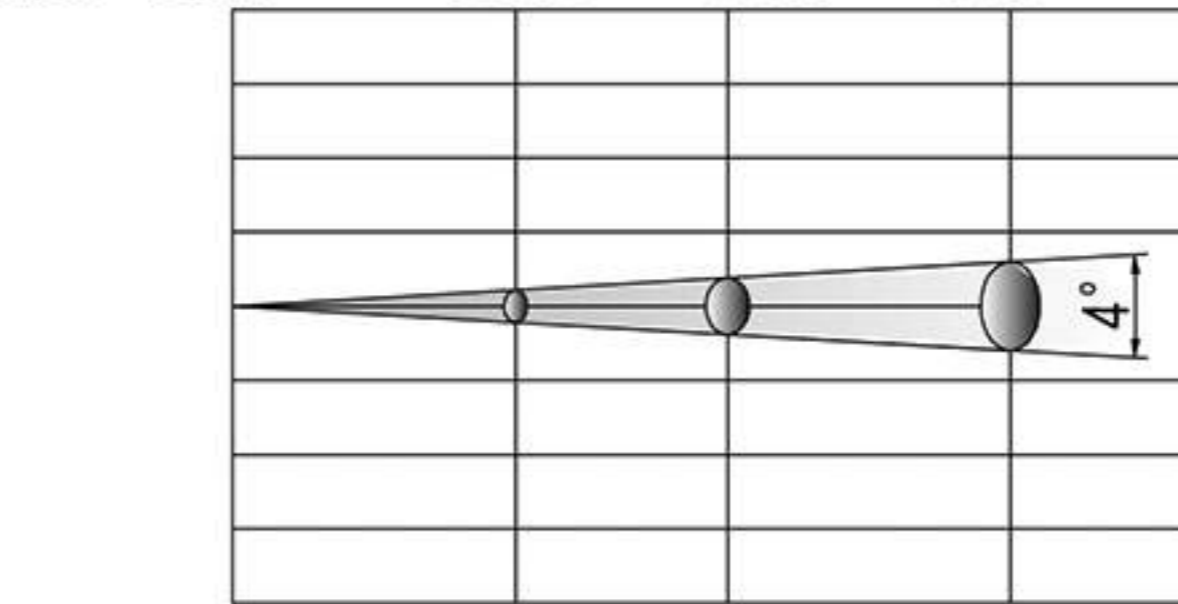
Variable built-in dynamic effects

4 Liner dimming curves

Strobe: 1-25 hz, random and pulse flash

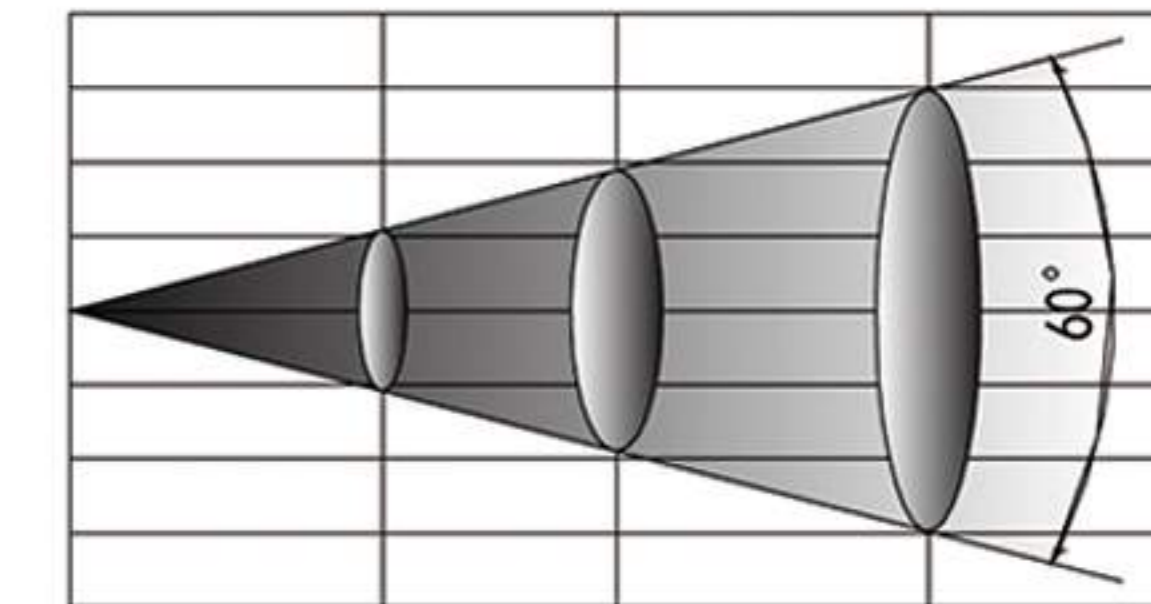
Photometrics

R (Lux)	6122	2882	740
G (Lux)	12686	5742	1348
B (Lux)	2338	947	206
W (Lux)	15292	6222	1438
RGBW (Lux)	32304	14160	3401



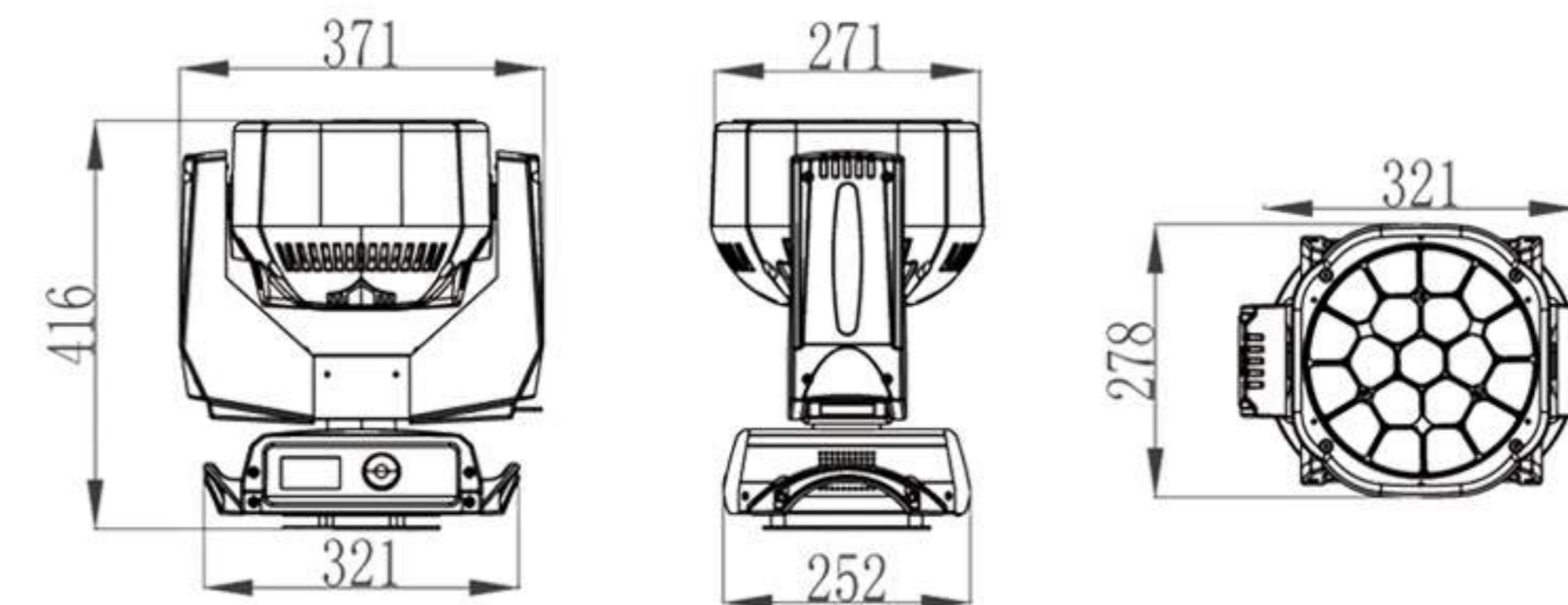
Distance (m)	3	5	10
Diameter (m)	0.46	1.0	2.0

R (Lux)	283	104	36
G (Lux)	514	193	59
B (Lux)	86	44	12
W (Lux)	577	234	61
RGBW (Lux)	1345	503	132



Distance (m)	3	5	10
Diameter (m)	2.1	3.2	5.6

Fixture size



Control

Pan/Tilt: 540/220°

Control mode: DMX512/RDM

DMX channels: 21/35/78/92/97

XLR in & out: 3-pin

Display: LCD color display

Packed

Net weight: 14.7kg

Carton box(1-in-1):

Size: 41×49×59cm

Packed weight: 19kg

Flight case(2-in-1):

Size: 79×47×74cm

Packed weight: 65kg



BIG EYE L4019

Wash/Beam/Graphic/Effects 4-in-1

RDM LED RGBW Osram Art-Net

Technical parameters

Power supply

AC90-260V 50/60 Hz

Power consumption: 850W

Light source

19*40w RGBW 4 in1 Osram LEDs

Individual LED control

Color temperature: 2500K-9000K

Effect

Zoom angle: 4-60°, 37500lux@5m@Min angle

Wash/Beam/Graphic/Effects function

Front lens can rotated infinity

With“vortex”and “kaleidoscope” effects

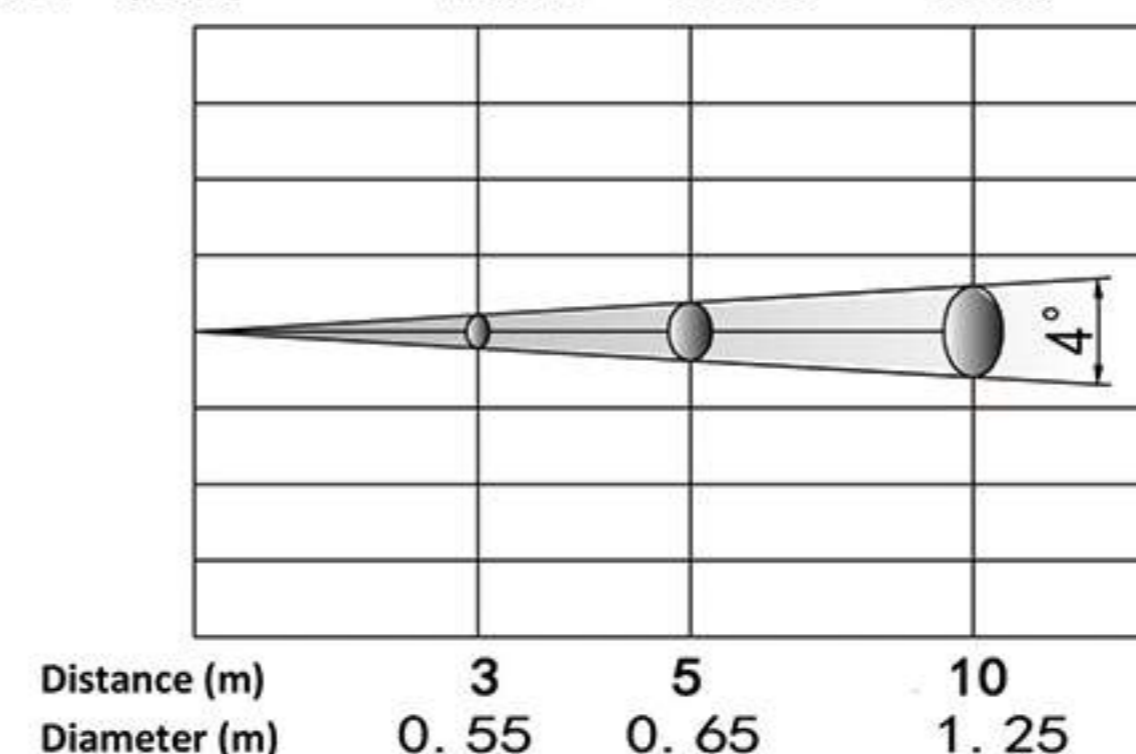
Variable built-in dynamic effects

4 Liner dimming curves

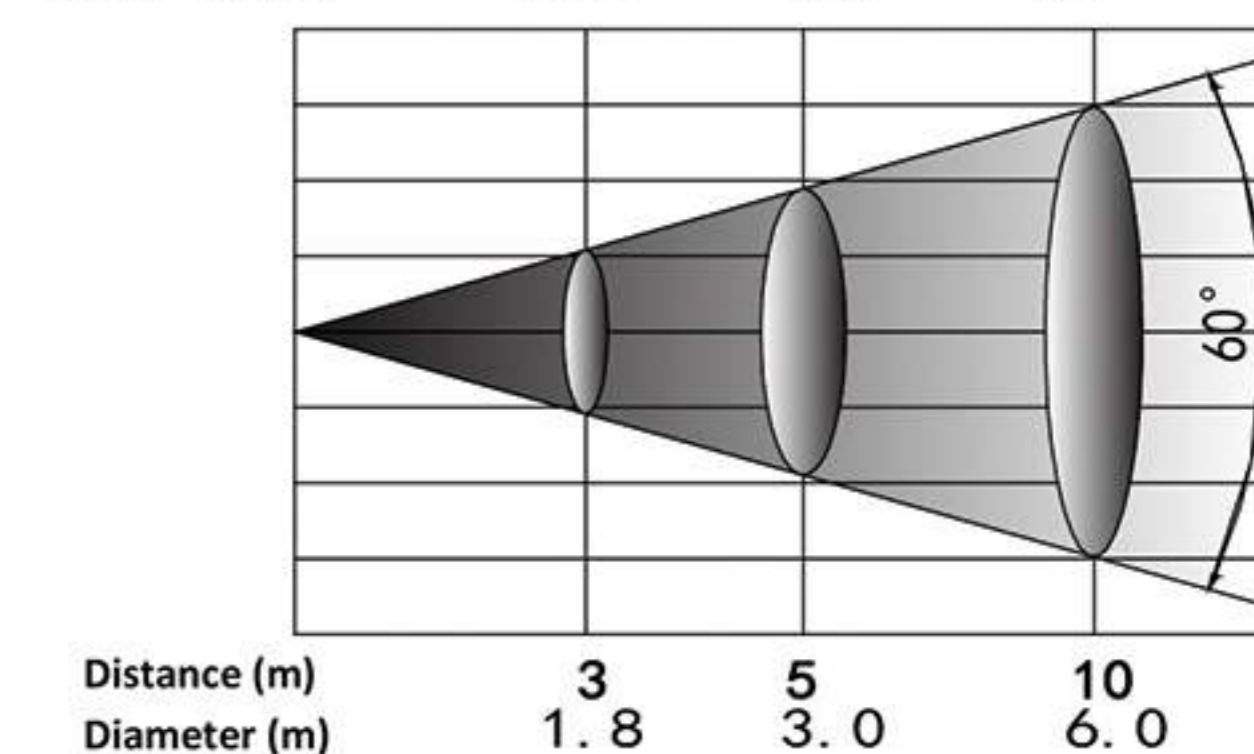
Strobe: 1-25 hz, random and pulse flash

Photometrics

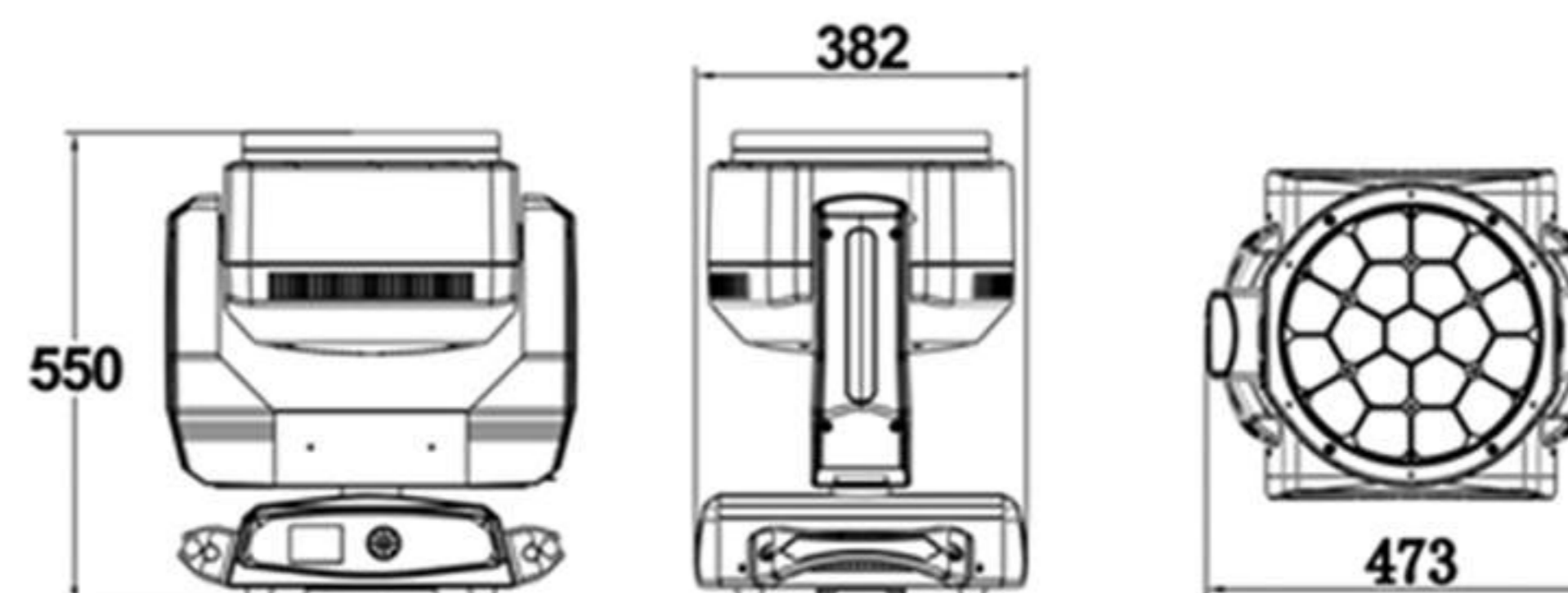
R (Lux)	19392	10481	2555
G (Lux)	43800	23640	5832
B (Lux)	11059	3744	1345
W (Lux)	63828	32064	8316
RGBW (Lux)	118043	37526	13260



R (Lux)	1914	634	164
G (Lux)	4249	1366	311
B (Lux)	935	311	78
W (Lux)	5717	1886	400
RGBW (Lux)	9005	3089	821



Fixture size



Control

Pan/Tilt: 540/220°

Control mode: DMX512/RDM/Art-net

DMX channels: 21/35/78/92/97

XLR in & out: 3-pin & net

**Display:LCD color display
with self-charging battery**

Packed

Net weight: 24kg

Carton box(1-in-1):

Size: 69×58×50cm

Packed weight: 30kg

Flight case(2-in-1):

Size: 117×47×84cm

Packed weight: 98kg



BIG EYE L4007R

Wash/Beam/Graphic/Effects 4-in-1



Technical parameters

Power supply

AC90-250V 50/60 Hz

Power consumption: 350W

Light source

7*40W RGBW 4 in1 LEDs

Individual LED control

Color temperature: 2500K-9000K adjustable

Effect

Zoom angle: 4-60°; 16800lux@5m@Min angle

Wash/Beam/Graphic/Effects function

Front lens can rotated infinity

With“vortex”and “kaleidoscope” effects

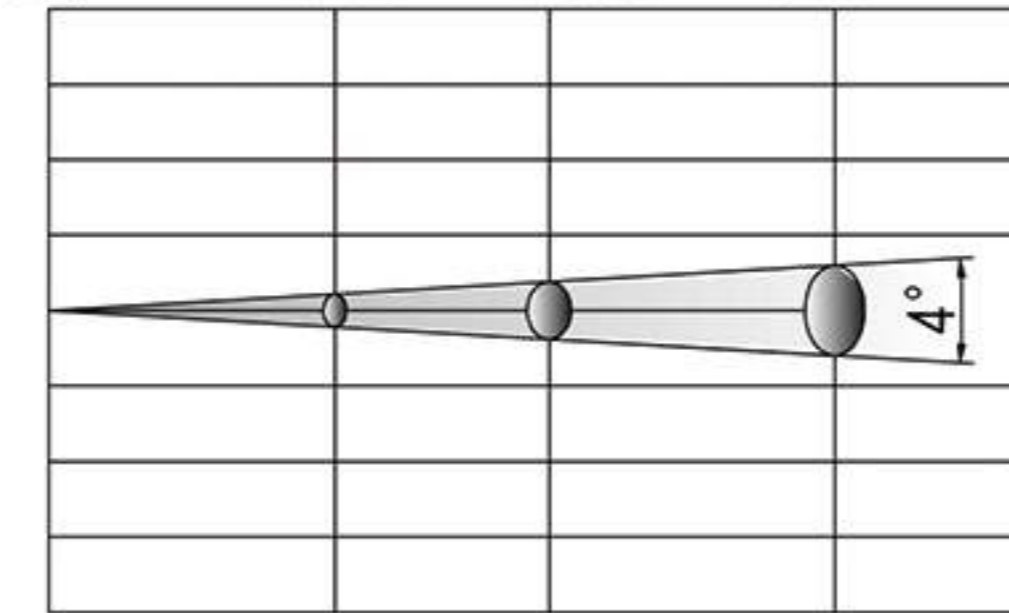
Variable built-in dynamic effects

4 Liner dimming curves

Strobe: 1-25 hz, random and pulse flash

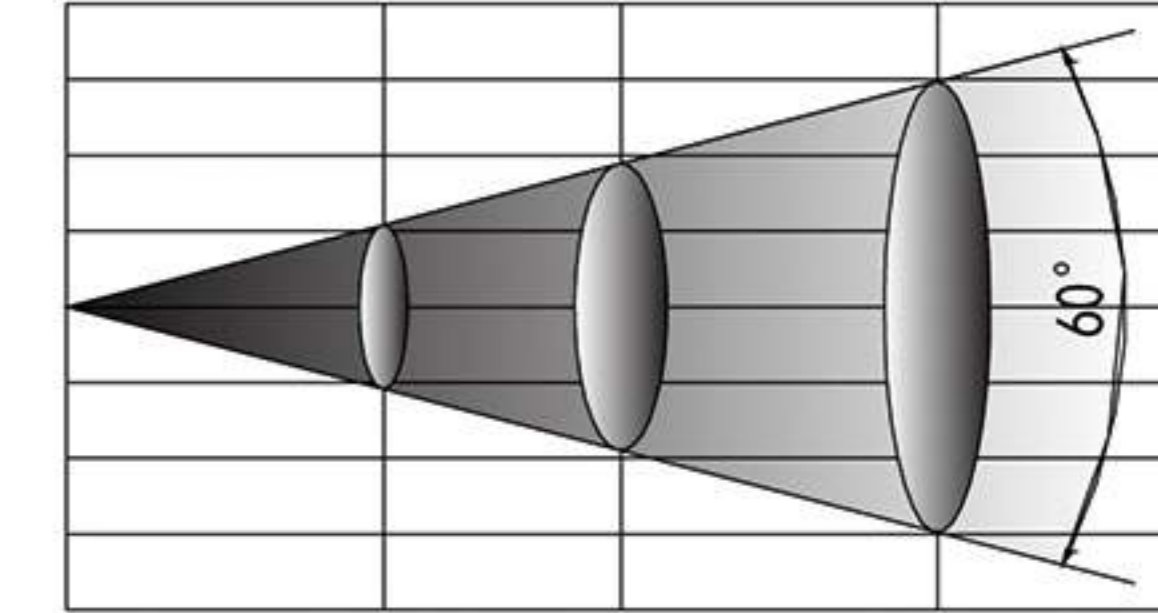
Photometrics

R (Lux)	8640	3240	996
G (Lux)	15600	5160	1560
B (Lux)	5760	1560	360
W (Lux)	27600	9240	2640
RGBW (Lux)	43200	16800	5280



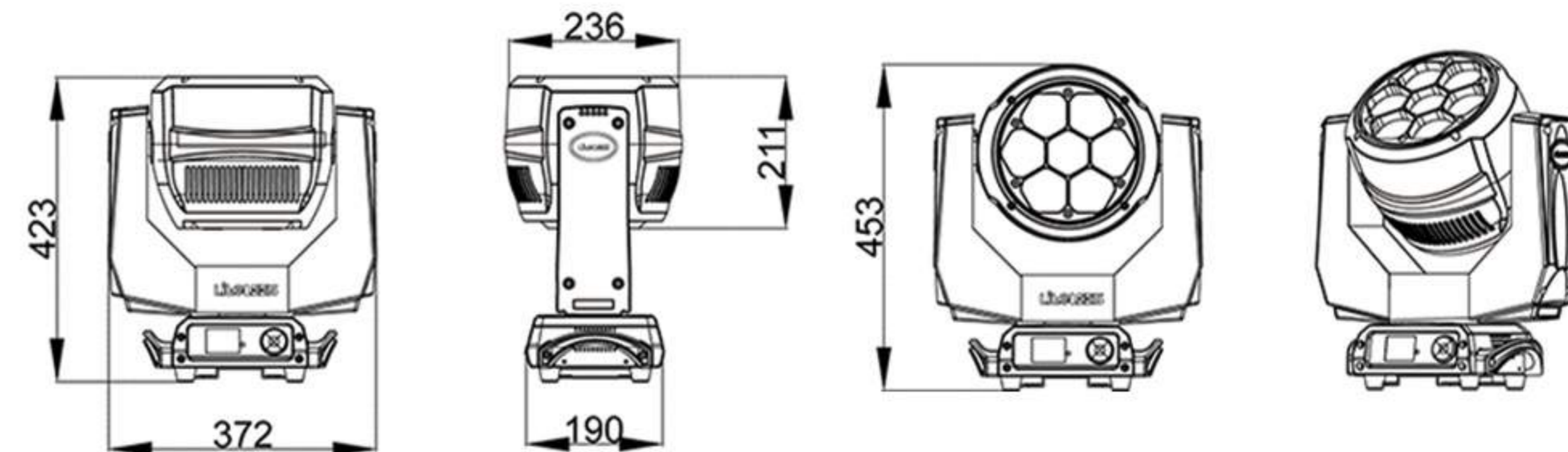
Distance (m)	3	5	10
Diameter (m)	0.46	1.0	2.0

R (Lux)	310	216	60
G (Lux)	594	360	96
B (Lux)	151	96	36
W (Lux)	1164	672	444
RGBW (Lux)	2701	1320	276



Distance (m)	3	5	10
Diameter (m)	2.1	3.2	5.6

Fixture size



Control

Pan/Tilt: 540/220°

Control mode: DMX512/RDM

DMX channels: 21/35/42/49

XLR in & out: 3-pin

Display: LCD color display

Packed

Net weight: 13.5kg

Carton box(1-in-1):

Size: 36×48×62cm

Packed weight: 18kg

Flight case(2-in-1):

Size: 43×70×86cm

Packed weight: 61kg



BIG EYE L4025

Matrix

Artnet RGBW Osram Infinity Infinity Pan/Tilt Art-Net

Technical parameters

Power supply

AC90-260V 50/60 Hz

Power consumption: 1200W

Light source

25*40W RGBW 4 in1 Osram LEDs

Individual LED control

Color temperature: 2500K-9000K

Effect

Zoom angle: 4-60°; 76000lux@5m@Min angle

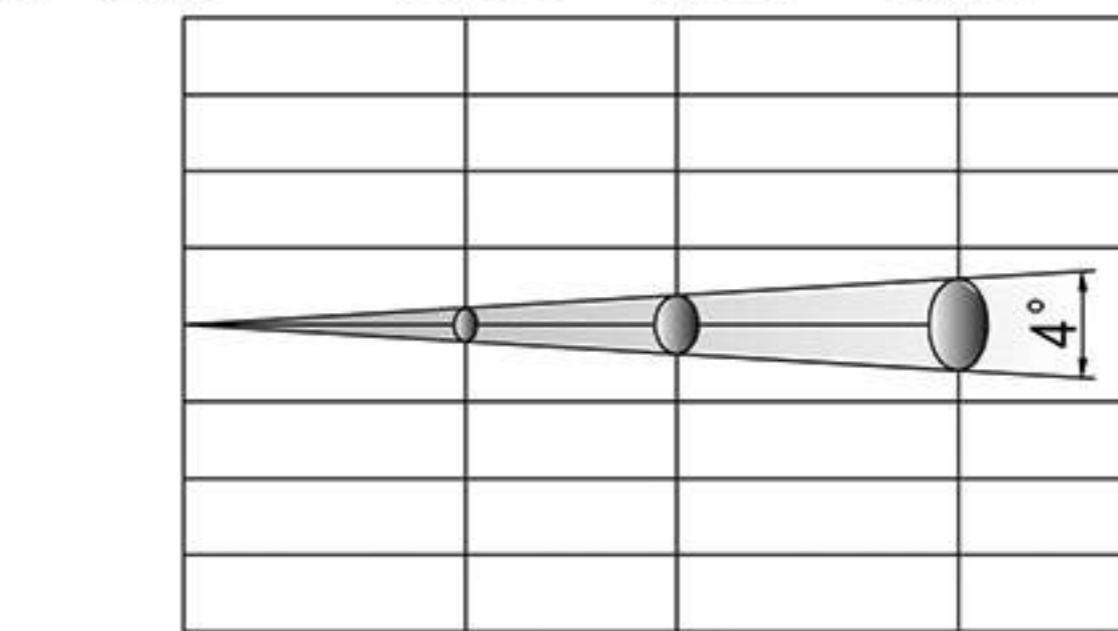
Variable Built-in dynamic effects

4 Liner dimming curves

Strobe: 1-25 hz, random and pulse flash

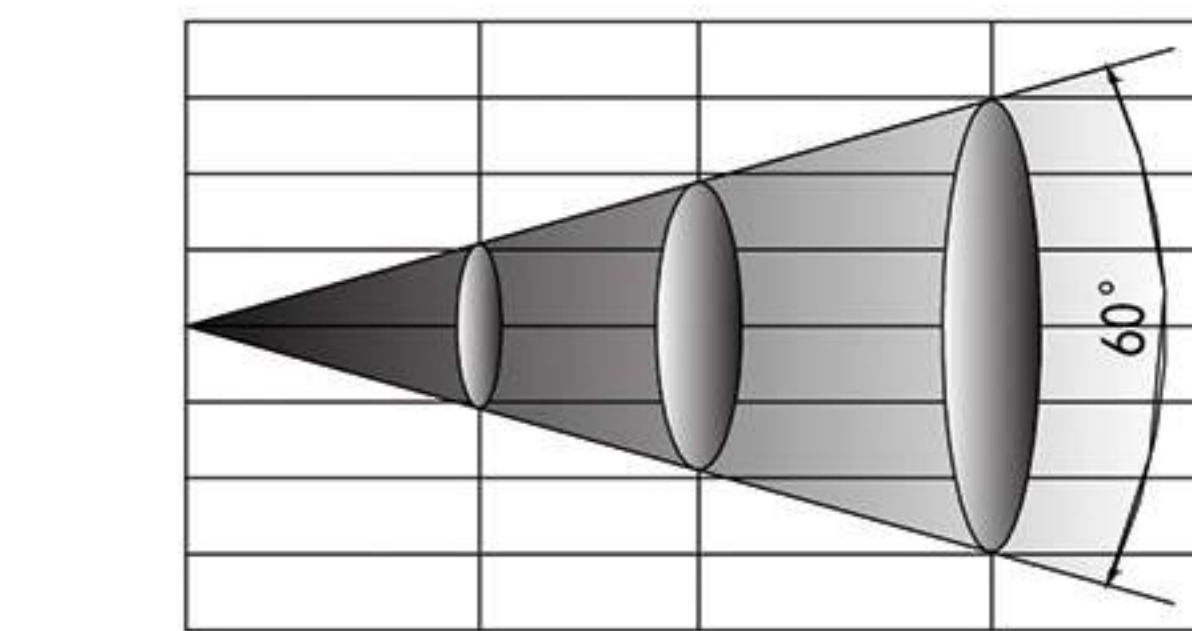
Photometrics

R (Lux)	36672	17587	4206
G (Lux)	60096	31488	9178
B (Lux)	33720	11760	2510
W (Lux)	86995	43008	15302
RGBW (Lux)	162000	76608	25320



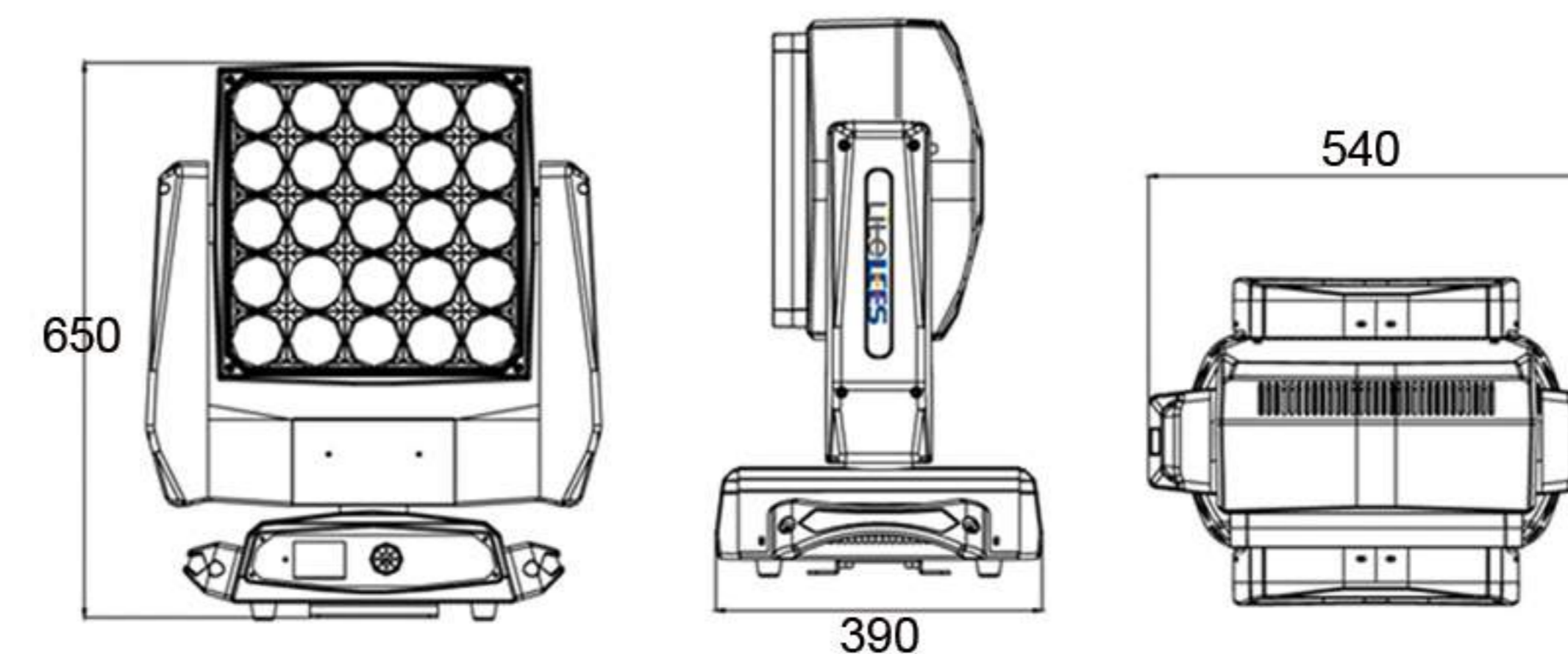
Distance (m)	3	5	10
Diameter (m)	0.50	0.67	1.09

R (Lux)	5088	966	214
G (Lux)	7940	1520	337
B (Lux)	1853	391	82
W (Lux)	11252	2362	404
RGBW (Lux)	14172	4589	986



Distance (m)	3	5	10
Diameter (m)	1.8	3.0	6.0

Fixture size



Control

Pan/Tilt: Infinity

Control mode: DMX512/RDM/Art-net

DMX channels: 19/22/118

XLR in & out: 3-pin & net

**Display: LCD color display
with Self-charging battery**

Packed

Net weight: 30kg

Carton box(1-in-1):

Size: 67×66×51cm

Packed weight: 36kg





Flight case(2-in-1):

Size: 120×60×90cm

Packed weight: 114kg

BIG EYE CHANNEL

	BIG EYE L4019/ BIG EYE L4007R	BIG EYE L10R	BIG EYE L4025
CH	STANDARD (21CH) SHAPE (35CH)	STANDARD (21CH) SHAPE (35CH)	STANDARD (22CH) EXTENDED (118CH)
1	Red	Red	Pan
2	Red fine	Red fine	Pan fine
3	Green	Green	Tilt
4	Green fine	Green fine	Tilt fine
5	Blue	Blue	Pan/Tilt speed
6	Blue fine	Blue fine	Pan rotation
7	White	White	TILT rotation
8	White fine	White fine	Strobe
9	Linear CTO	Linear CTO	Dimmer
10	Macro color	Macro color	Macro color
11	Strobe	Strobe	colour brightness
12	Dimmer	Dimmer	Fixed gobo
13	Dimmer fine	Dimmer fine	Dynamic gobo
14	Pan	Pan	gobo speed
15	Pan fine	Pan fine	gobo change delay
16	Tilt	Tilt	Zoom
17	Tilt fine	Tilt fine	Dynamic gobo
18	Built-in effect	Function	gobo speed
19	Reset	Reset	gobo change delay
20	Zoom	Zoom	LED 1 red
21	Zoom rotation	Zoom rotation	LED 1 green
22	Shape selection	Shape selection	LED 1 blue
23	Shape speed	Shape speed	LED 1 white
24	Shape fade	Shape fade	LED 2 red
25	Shape red	Shape red	LED 2 green
26	Shape green	Shape green	...
27	Shape blue	Shape blue	...
28	Shape white	Shape white	...
29	Shape dimmer	Shape dimmer	...
30	Background dimmer	Background dimmer	...
31	Shape transition	Shape transition	...
32	Shape offset	Shape offset	...
33	Shape strobe	Shape strobe	...
34	Background strobe	Background strobe	...
35	Background select	Background select	...
...			...
115			LED 25 red
116			LED 25 green
117			LED 25 blue
118			LED 25 white

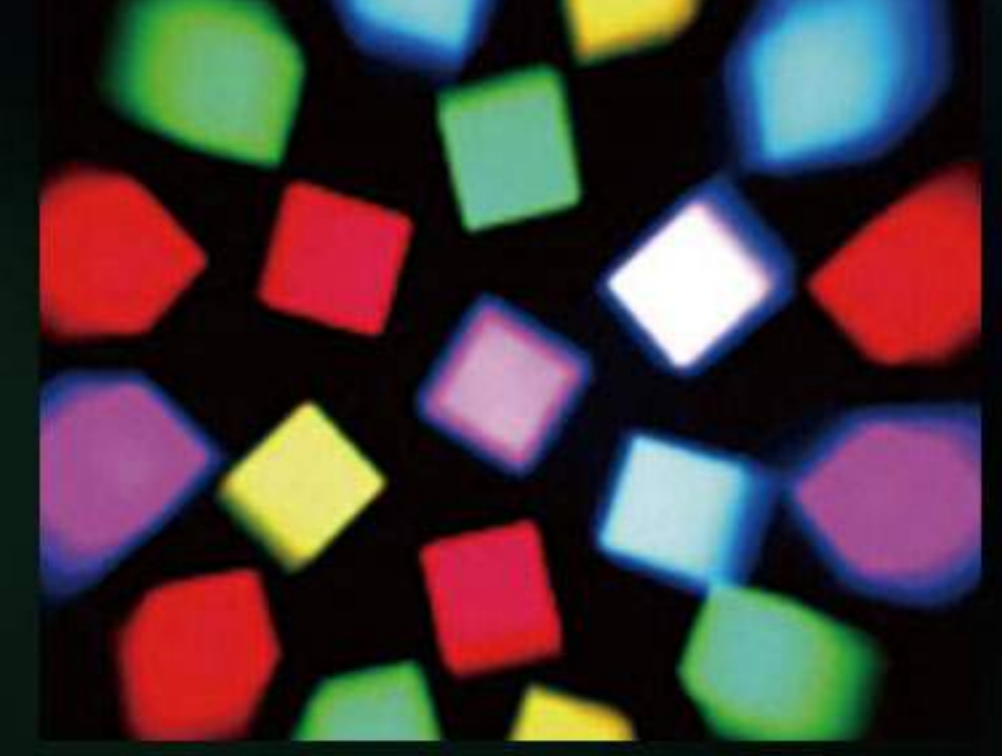
Product	BIG EYE L4025	BIG EYE L4019	BIG EYE L10R	BIG EYE L4007R
Picture				
LED	Osram 40W RGBW	Osram 40W RGBW	Osram 15W RGBW	40W RGBW
LED number	25	19	19	7
Illuminance	76600lux@5m@Min angle	37500lux@5m@Min angle	14000lux@5m@Min angle	16800lux@5m@Min angle
Individual LED control	Y	Y	Y	Y
Washlight mode	Y	Y	Y	Y
Beamlight mode	Y	Y	Y	Y
Kaleido or Vortex effect	N	Y	Y	Y
Front lens bi-directional	N	Y	Y	Y
Zoom	4-60°	4-60°	4-60°	4-60°
Color temperature 2500K~8000K	Y	Y	Y	Y
Digital dimming	Y	Y	Y	Y
Adjustable speed of strobe	Y	Y	Y	Y
DMX Channels	19/22/118	21/35/78/92/97	21/35/78/92/97	21/35/42/49
XLR IN and OUT	3-pin	3-pin	3-pin	3-pin
Artnet	Y	Y	N	N
RDM	Y	Y	Y	Y
LCD color display	Y	Y	Y	Y
Self-charging battery	Y	Y	N	N
Power interface	IN	IN	In and Out	In and Out
Pan/Tilt movement	Infinity	540°220°	540°220°	540°220°
Net weight	30kg	24kg	14.7kg	13.5kg



Beam



Effects



Graphic



LE-SPOT 330 PRO

330W LED SPOT

LED CMY IRIS

Technical parameters

Power supply

AC100~240V, 50/60Hz

Power consumption: 400W

Light source

1*330W LED

Color temperature: 8500K; CRI>83

Effect

Zoom angle: 5~40°; 28800lux@5m@Min angle

3 color wheels: 4 color + white on each

CMY color mixing

Fixed gobo wheel: 10 gobos + white

Rotating gobo wheel: 7 gobos + white

Prism: 3-facet

Iris: 5%-100%

Focusing: 0-100% linear

Frost filter for soft-edge projection

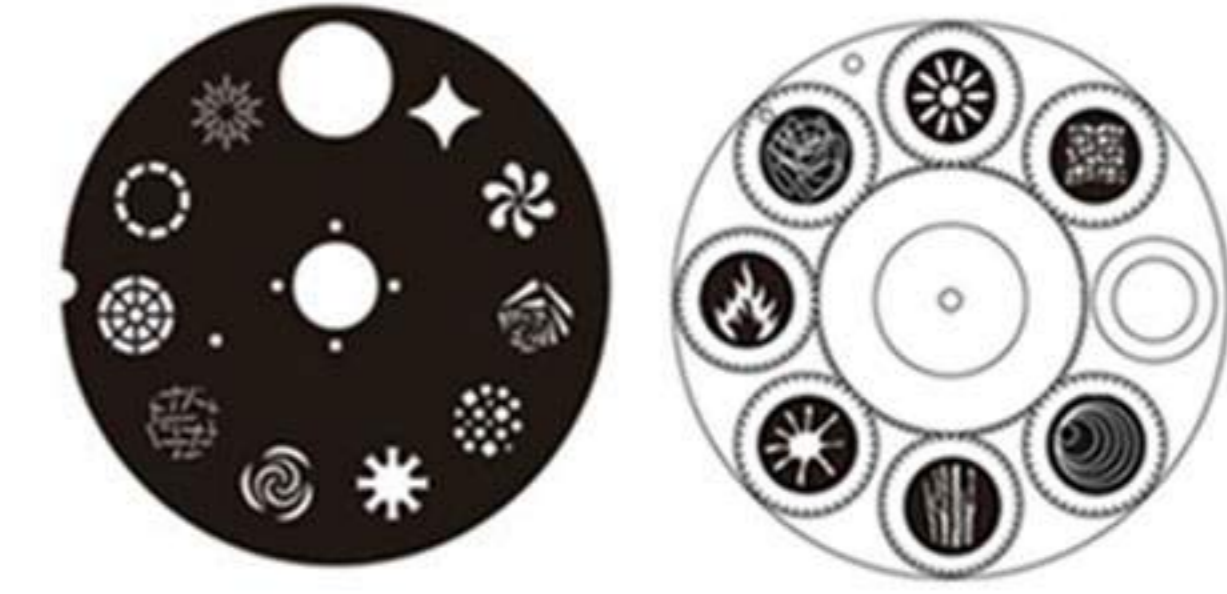
Strobe: 1-25 hz, random and pulse flash

Dimming: 0-100% linear

CMY/Color Wheel

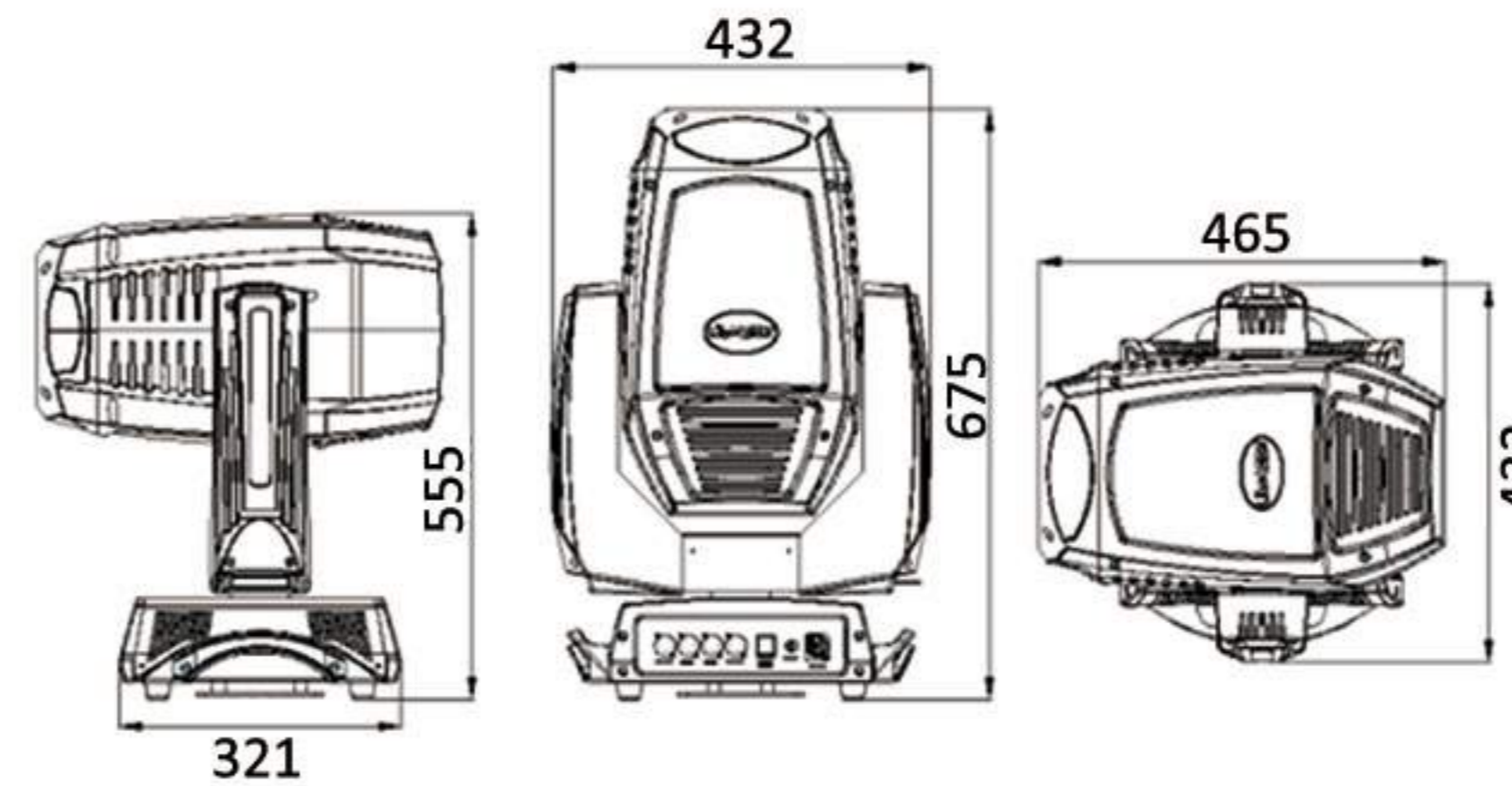


Fixed Gobo Wheel Rotating Gobo Wheel

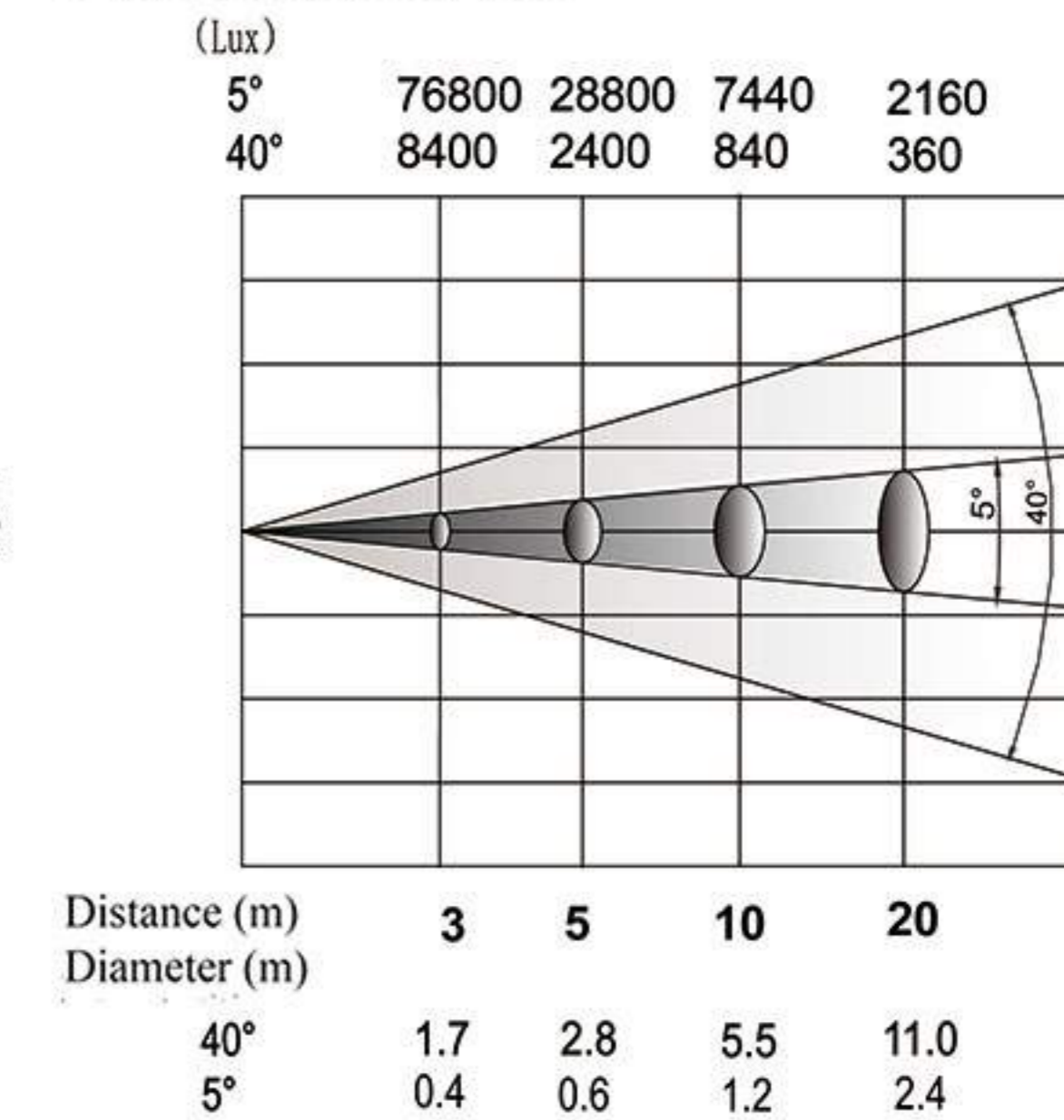


Rotating Gobo ϕ 21.7mm
Image ϕ 19.0mm

Fixture size



Photometrics



Control

Pan/Tilt: 540/270°

Control mode: DMX512

DMX channels: 22/27/30

XLR in & out: 3-pin & 5-pin

Packed

Net weight: 24kg

Carton box(1-in-1):

Size: 78×54×43cm

Packed weight: 31kg

Flight case(2-in-1):

Size: 88×112×49cm

Packed weight: 105kg



LE-SPOT 300 PRO

230W LED SPOT

LED CMY RDM

Technical parameters

Power supply

AC100~240V, 50/60Hz

Power consumption: 330W

Light source

1*230W LED

Color temperature: 7900K;

Effect

Zoom angle:10-27°; 11651lux@5m@Min angle

Dyeing mode: uniform, large angle

3 color wheels: 4 color + white on each

Half color and continuous color position,

Two-way rainbow effect, CMY color mixing

Fixed gobo wheel: 7 gobos + white+Pattern shaking

Rotating gobo wheel: 5 gobos + white+Pattern shaking

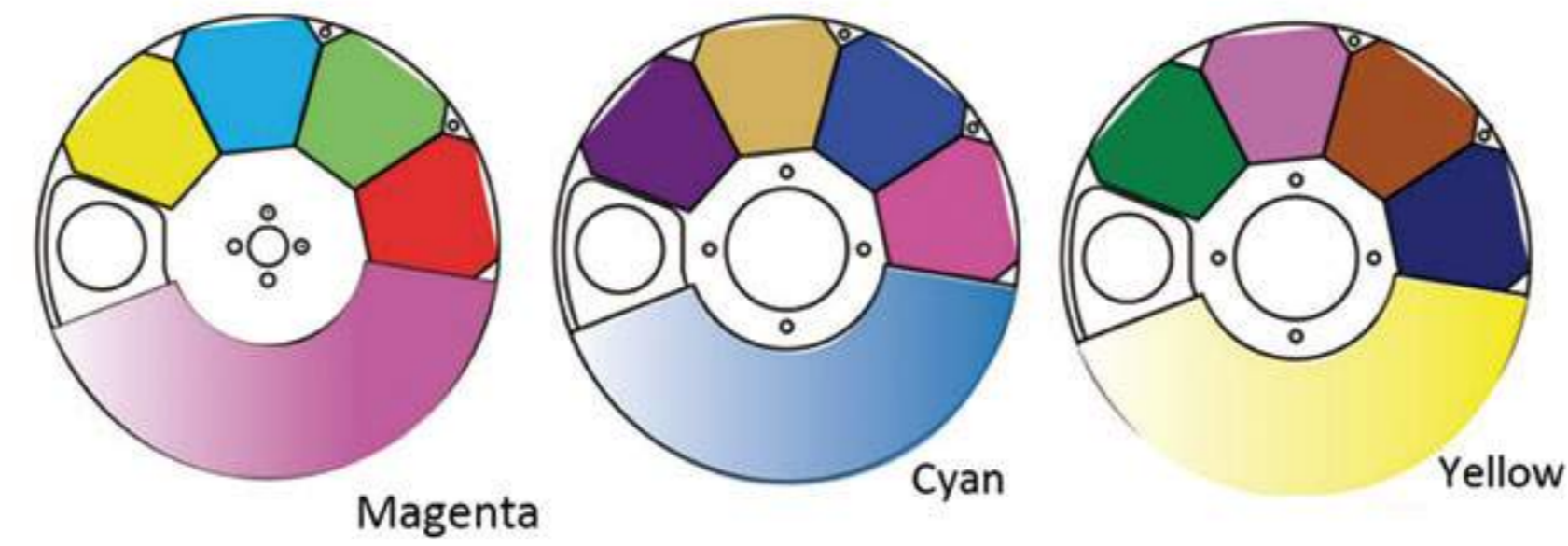
Prism: 3-facet,Two-way rotation

Frost filter for soft-edge projection

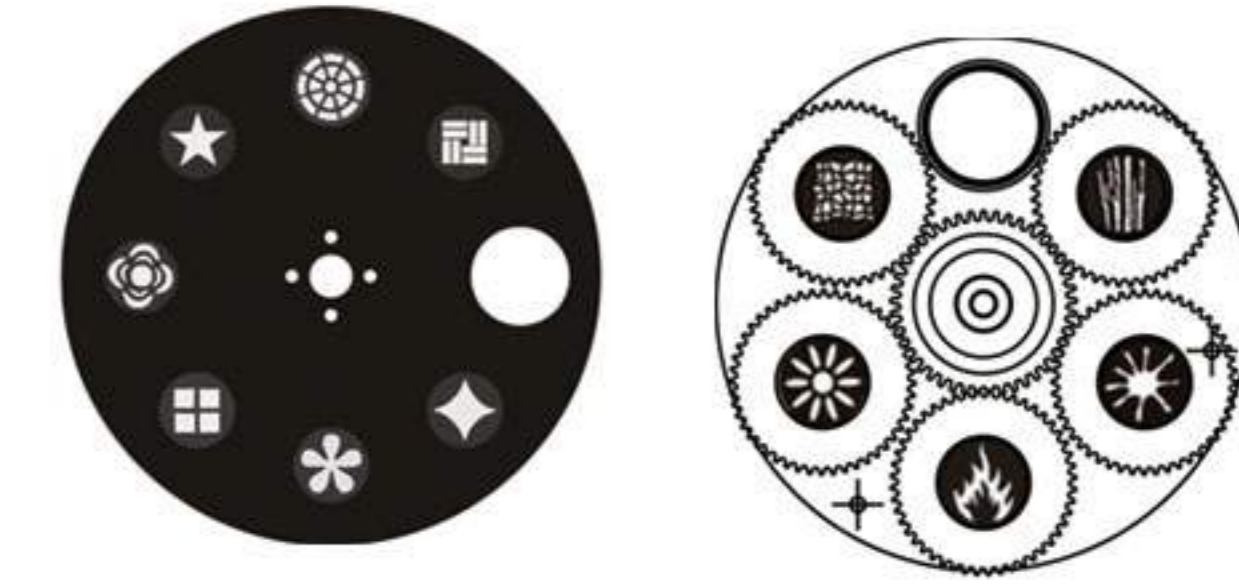
Strobe: 1-25 hz, random and pulse flash

Dimming: 0-100% linear ,16Bit precision adjustment

CMY/Color Wheel

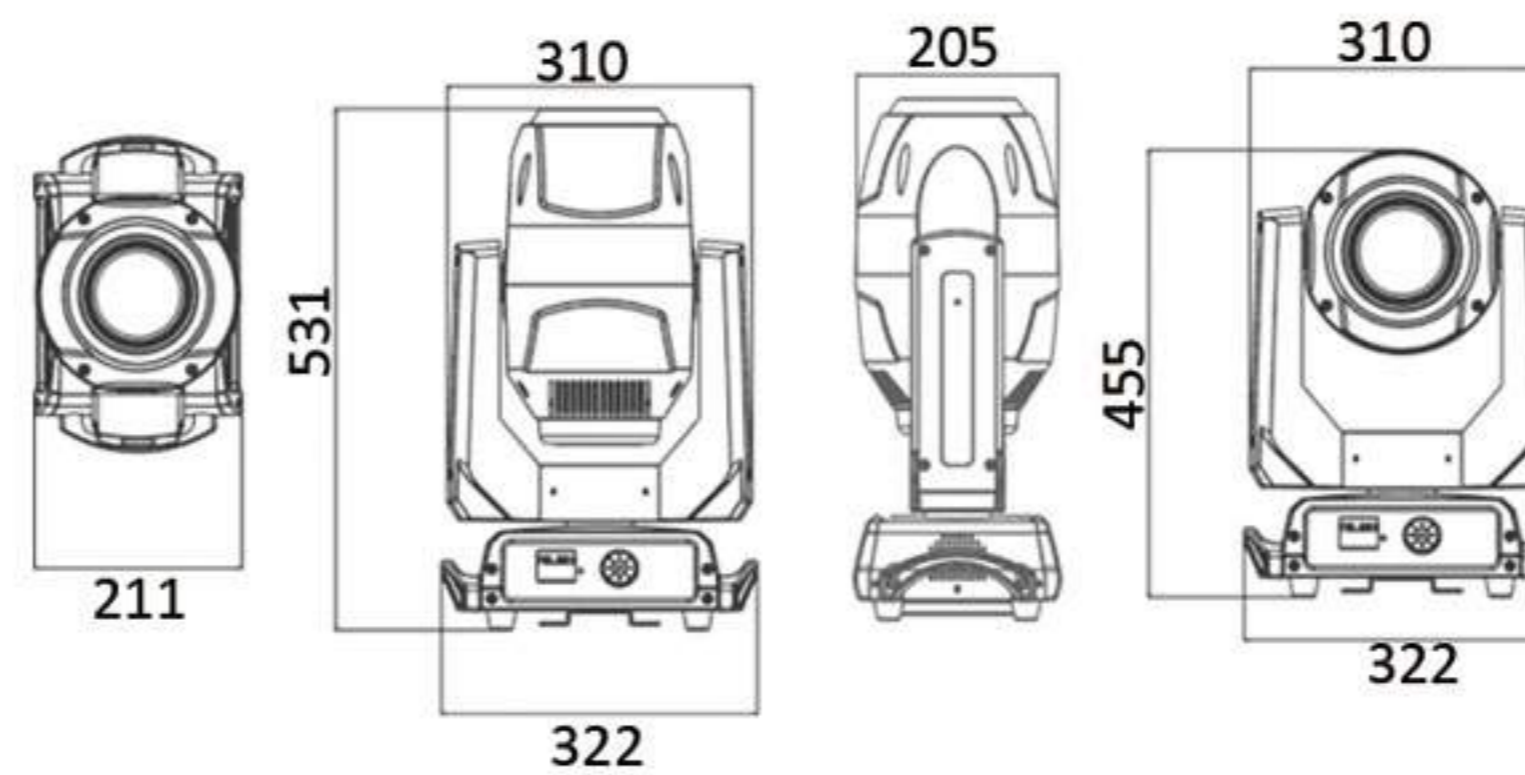


Fixed Gobo Wheel Rotating Gobo Wheel



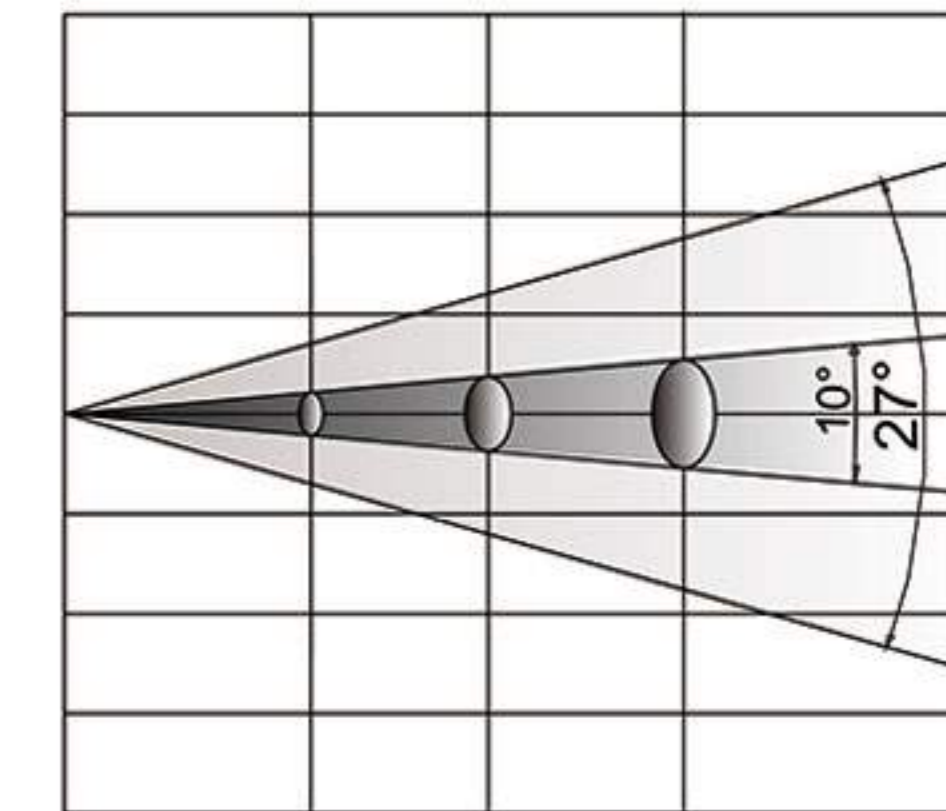
Rotating Gobo ϕ 21.8mm
Image ϕ 15mm

Fixture size



Photometrics

(Lux)	10°	25836	11651	2592
	27°	6432	1939	947



Distance (m)	3	5	10
Diameter (m)			
27°	1.4	2.3	4.7
10°	0.6	0.9	1.8

Control

Pan/Tilt: 540/250°

16-bit precision scanning

Magnetic positioning system

Control mode: DMX/ manual/RDM

DMX channels: 19/22

XLR in & out: 3-pin

Display:LCD color display

Packed

Net weight: 13kg

Carton box(1-in-1):

Size: 61×32×41cm

Packed weight: 18kg

Flight case(2-in-1):

Size: 60×40×66cm

Packed weight: 52kg

3-IN-1 MOVING HEAD



SUPER HERO 470 PRO

Beam/Spot/Wash 3-in-1

- Artnet
- 461W
- Osram
- CMY
- Animation disc

Technical parameters

Power supply

AC100~240V, 50/60Hz

Power consumption: 700W

Light source

Osram Sirius HRI 461W S

Rated life: 1500 hrs

Color temperature: 7800K

Effect

Zoom angle: 2.5°(Beam mode); 4°- 50° (Spot mode)

525600lux@10m@Min angle

3 color wheels with 15 colors + white

2CTO(3200K and 2500K)+1CTB, CMY color mixing system

Fixed gobo wheel: 18 gobos + white

Rotating wheel: 6 gobos + white

Prism: 8-facet + linear, Animation disc

Auto focusing when zooming

Frost filter for soft-edge projection

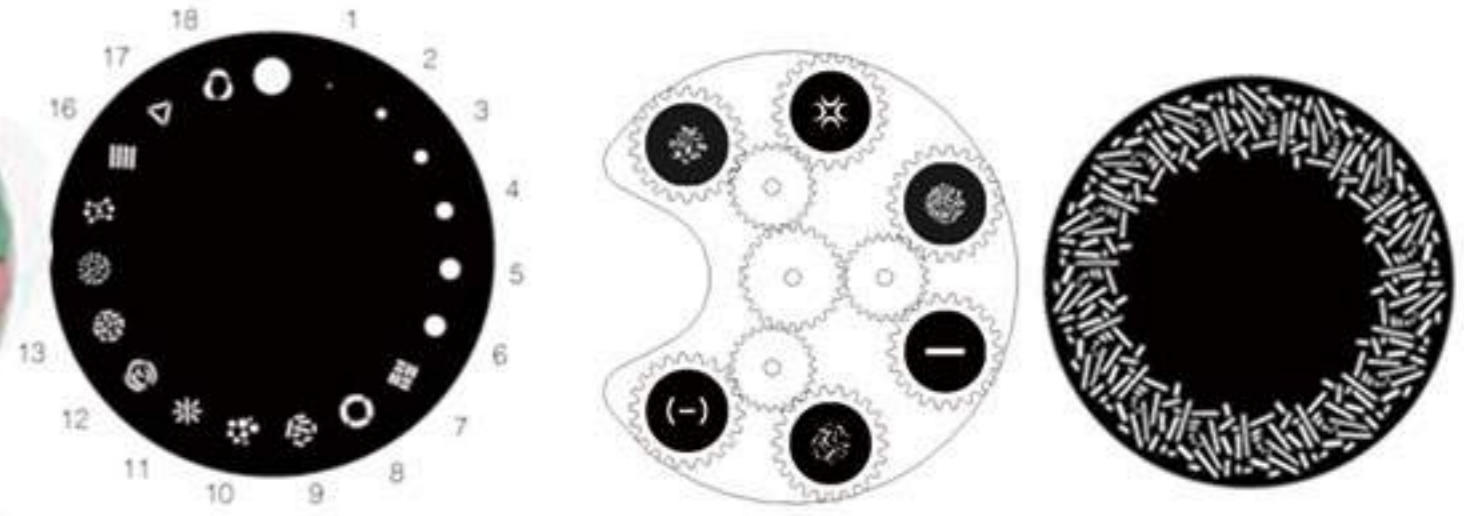
Strobe: 1-25 hz, random and pulse flash

Dimming: 0-100% linear

CMY/Color wheel

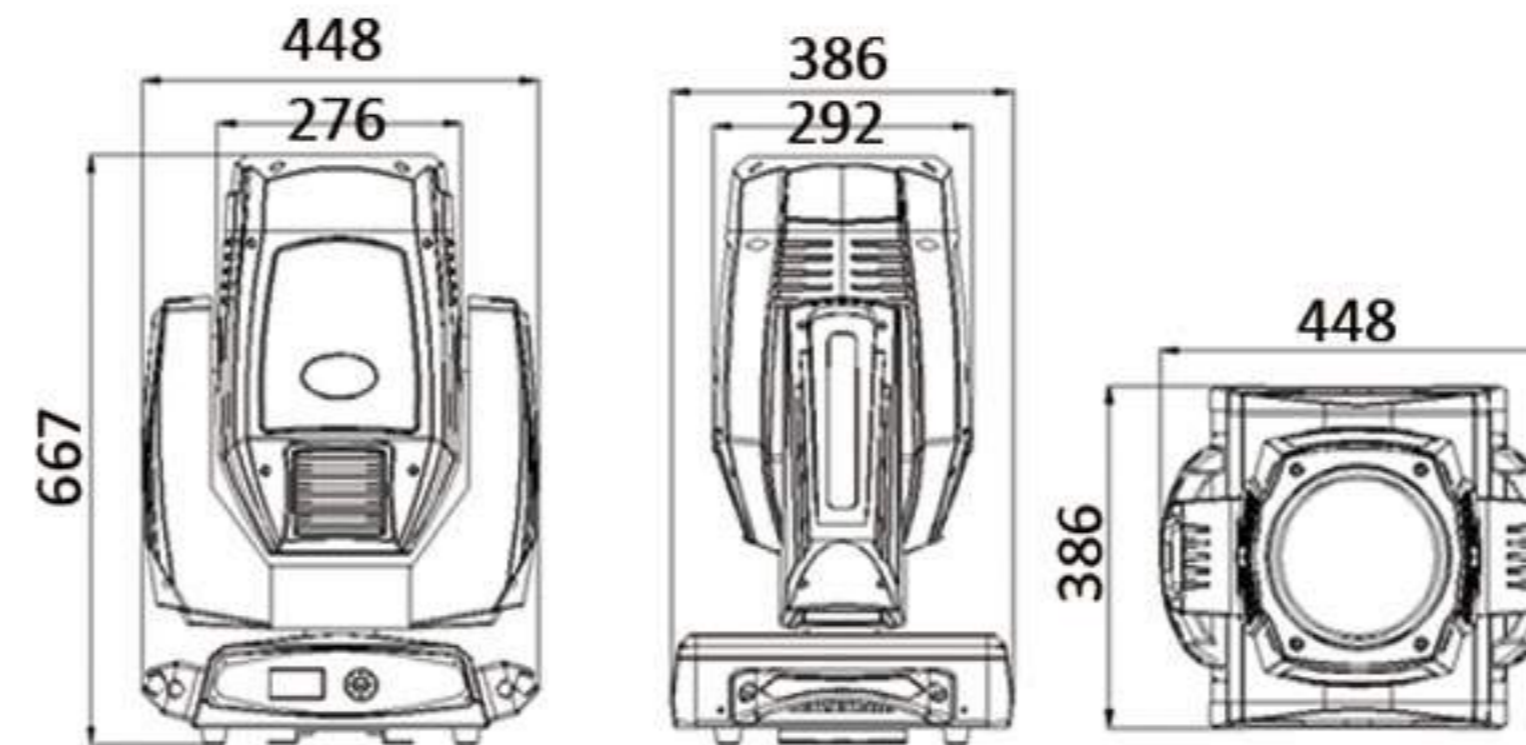


Fixed gobo wheel Rotating gobo wheel Animation disc

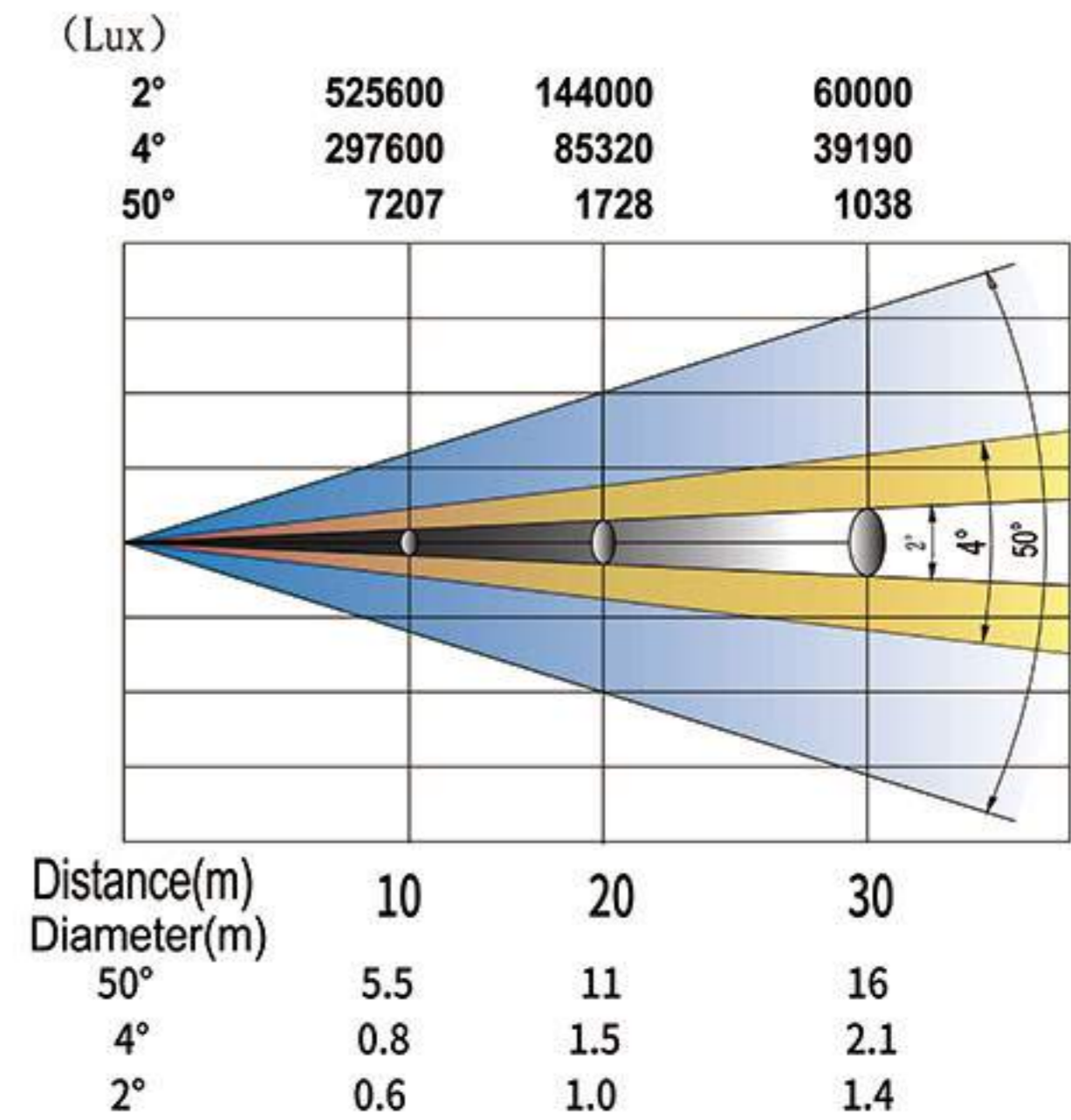


Rotating Gobo $\phi 25.7\text{mm}$
Image $\phi 13.0\text{mm}$

Fixture size



Photometrics



Control

Pan/Tilt: 540/270°

Control mode: DMX512/Art-net

DMX channels: 30/34

XLR in & out: 3-pin & net

LCD display with Self-charging battery

Packed

Net weight: 30kg

Carton box(1-in-1):

Size: 77×56×48cm

Packed weight: 37kg

Flight case(2-in-1):

Size: 51×116×84cm

Packed weight: 111kg



BIG HERO 350

Beam/Spot/Wash 3-in-1

RDM 350W Philips

Technical parameters

Power supply

AC100~240V, 50/60Hz

Power consumption: 500W

Light source

Philips MSD Silver 350

Rated life: 1500 hrs

Color temperature: 8000K

Effect

Zoom angle: 0~7°(Beam mode); 5~40°(Spot mode)

490000lux@5m@Min angle

Colors wheel: 13 color + white

Fixed gobo wheel: 17 gobos + white

Rotating gobo wheel: 12 gobos + white

Prism: 16-facet + 32-facet

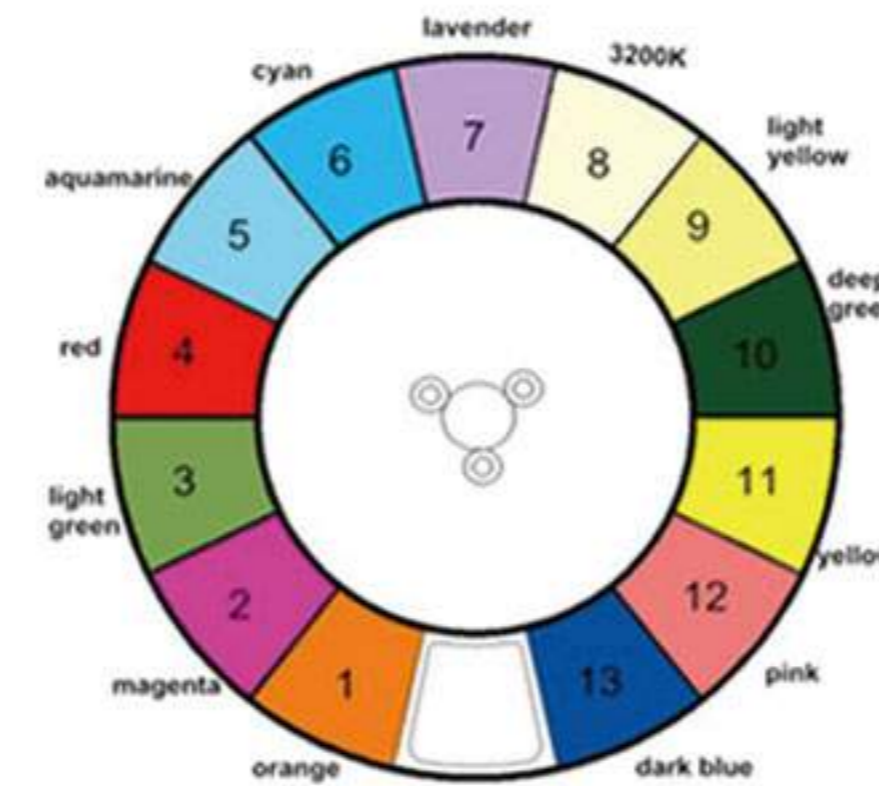
Focusing: 0-100% linear

Frost filter for soft-edge projection

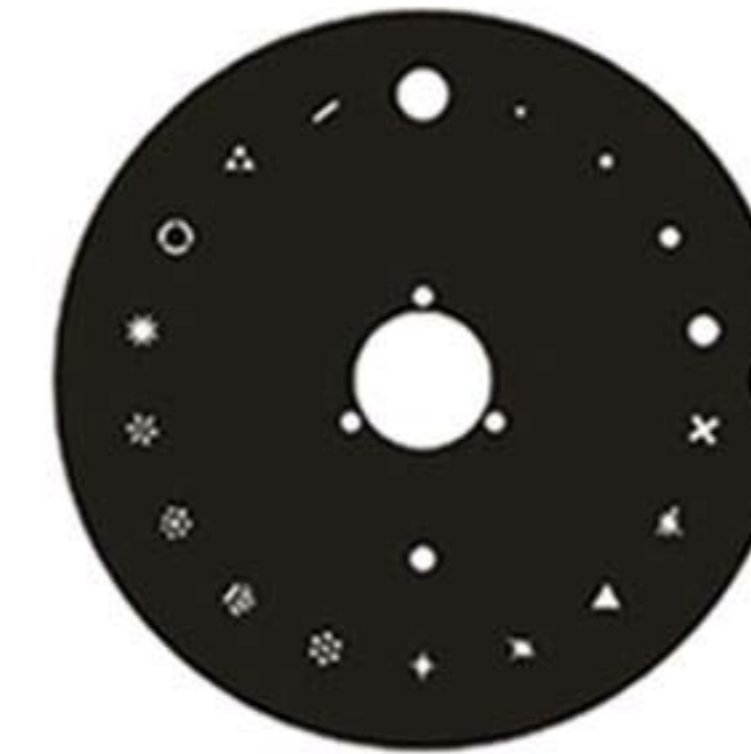
Strobe: 1-25 hz, random and pulse flash

Dimming: 0-100% linear

Color wheel



Fixed gobo wheel



Rotating gobo wheel



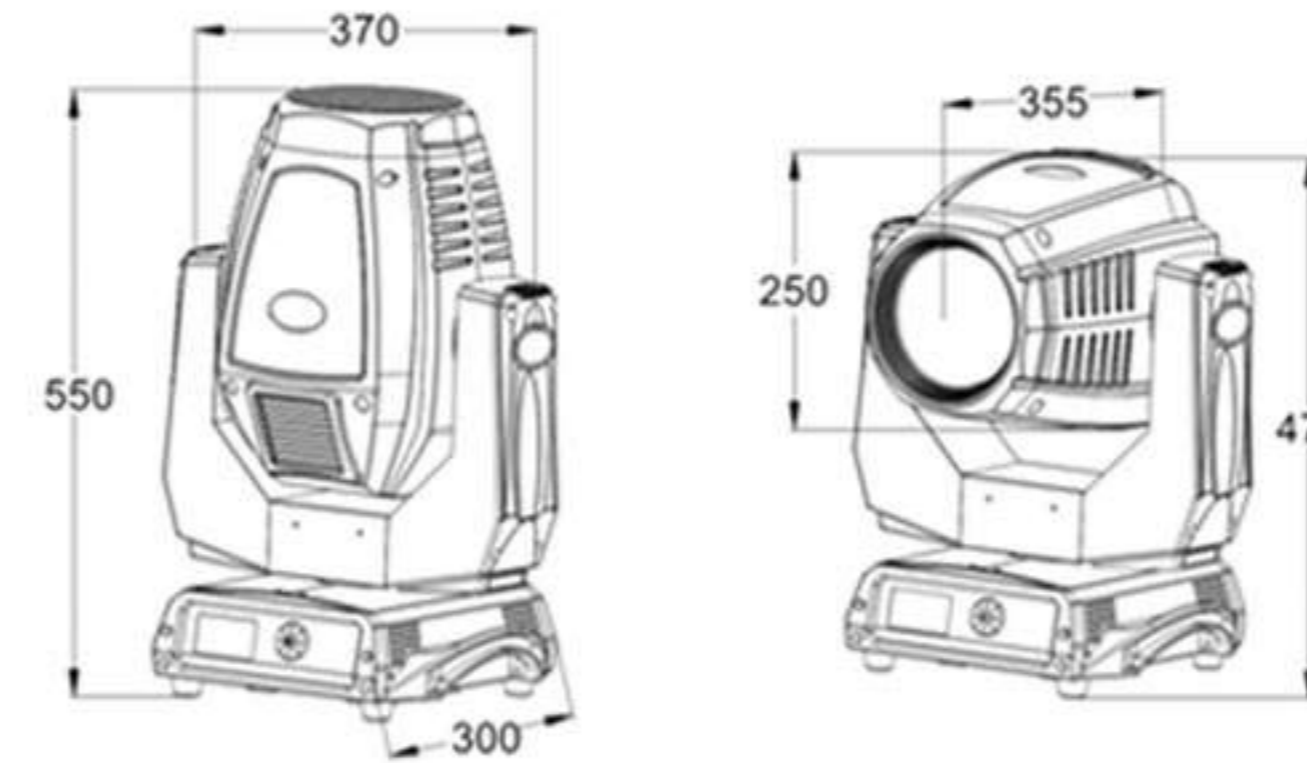
Rotating Gobo

φ11.2mm

Image

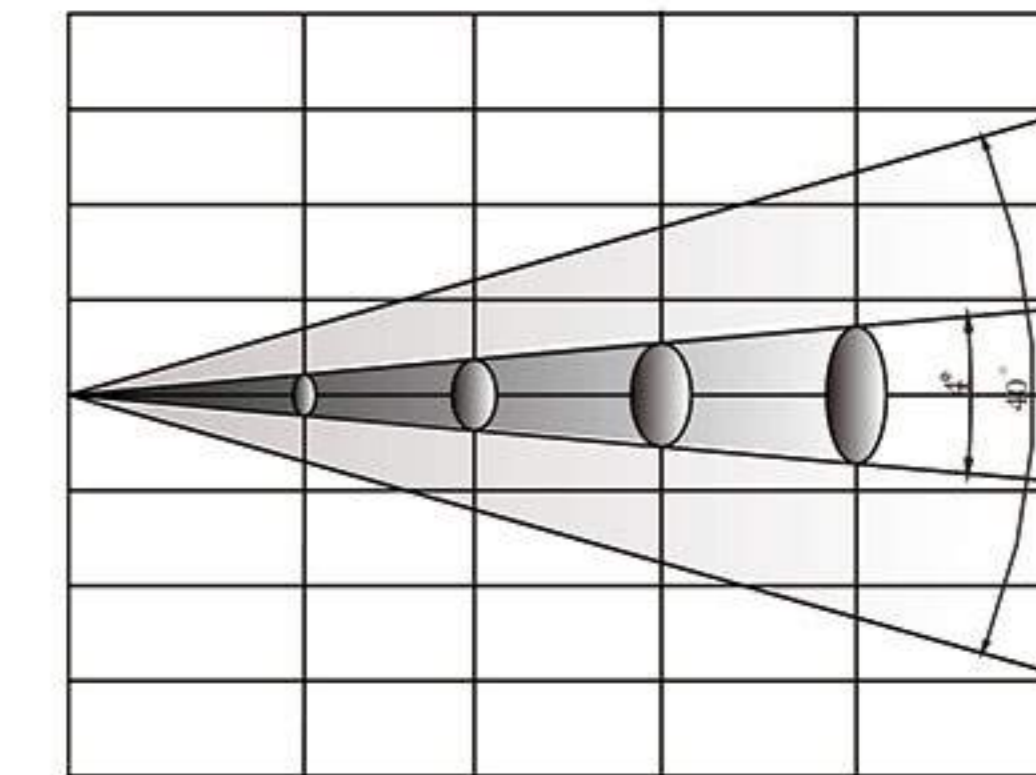
φ6.0mm

Fixture size



Photometrics

4°	804000	493968	199200	2112
40°	21948	7658	1962	500



Distance(m)	3	5	10	20
Diameter(m)				
40°	2.0	3.2	6.0	12.0
4°	0.5	0.6	0.8	1.20

Control

Pan/Tilt: 540/270°

Control mode: DMX512/RDM

DMX channels: 18

XLR in & out: 3-pin

Display: LCD color display

Packed

Net weight: 19kg

Carton box(1-in-1):

Size: 69×50×43cm

Packed weight: 25kg

Flight case(2-in-1):

Size: 88×46×82cm

Packed weight: 80kg



LS-470 BEAM IP

461W Water-proof Beam

IP65 461W Osram RDM

Technical parameters

Power supply

AC100V~240V, 50/60Hz
Power consumption: 600W

Light source

OSRAM HRI 461W S
Lamp life: 1500 hrs
Color temperature: 7800K

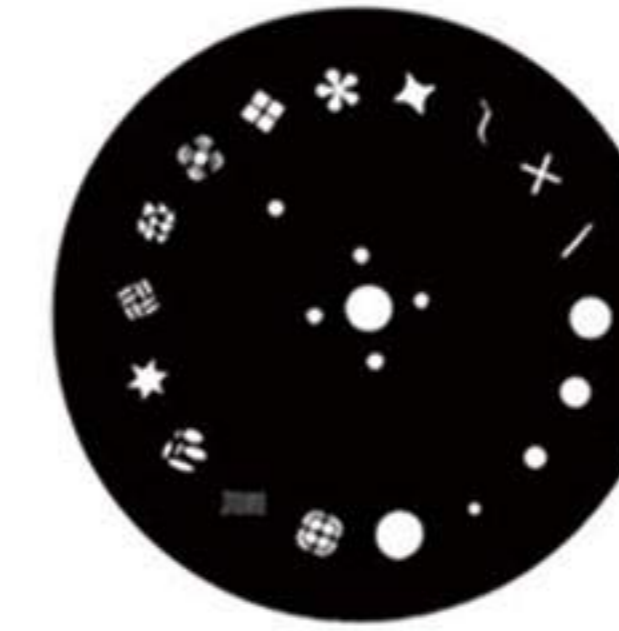
Effect

Beam angle: 2-4°; 547000lux@10m@Min angle
Color wheel: 17 color+ white
Fixed gobo wheel: 17 gobos + white
Rotating gobo wheel: 7 gobos + white
Prism: 8-facet + Cellular 24
Focusing: 0-100% linear
Frost filter for soft-edge projection
Strobe: 1-25 hz, random and pulse flash
Dimming: 0-100% linear

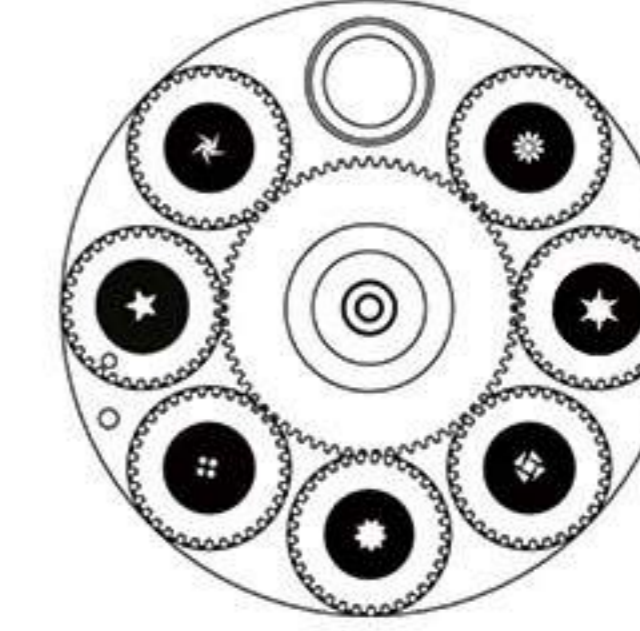
Color wheel



Fixed gobo wheel

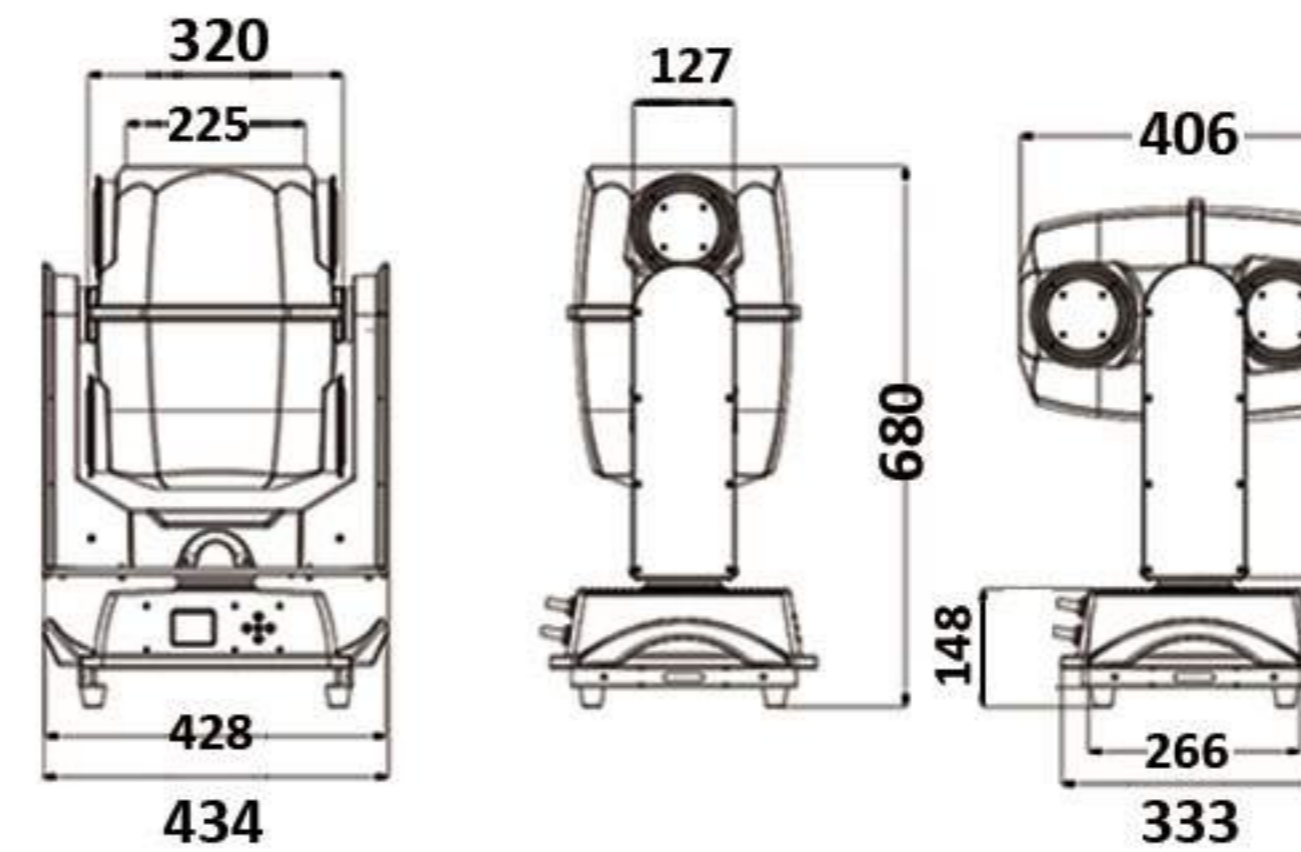


Rotating gobo wheel

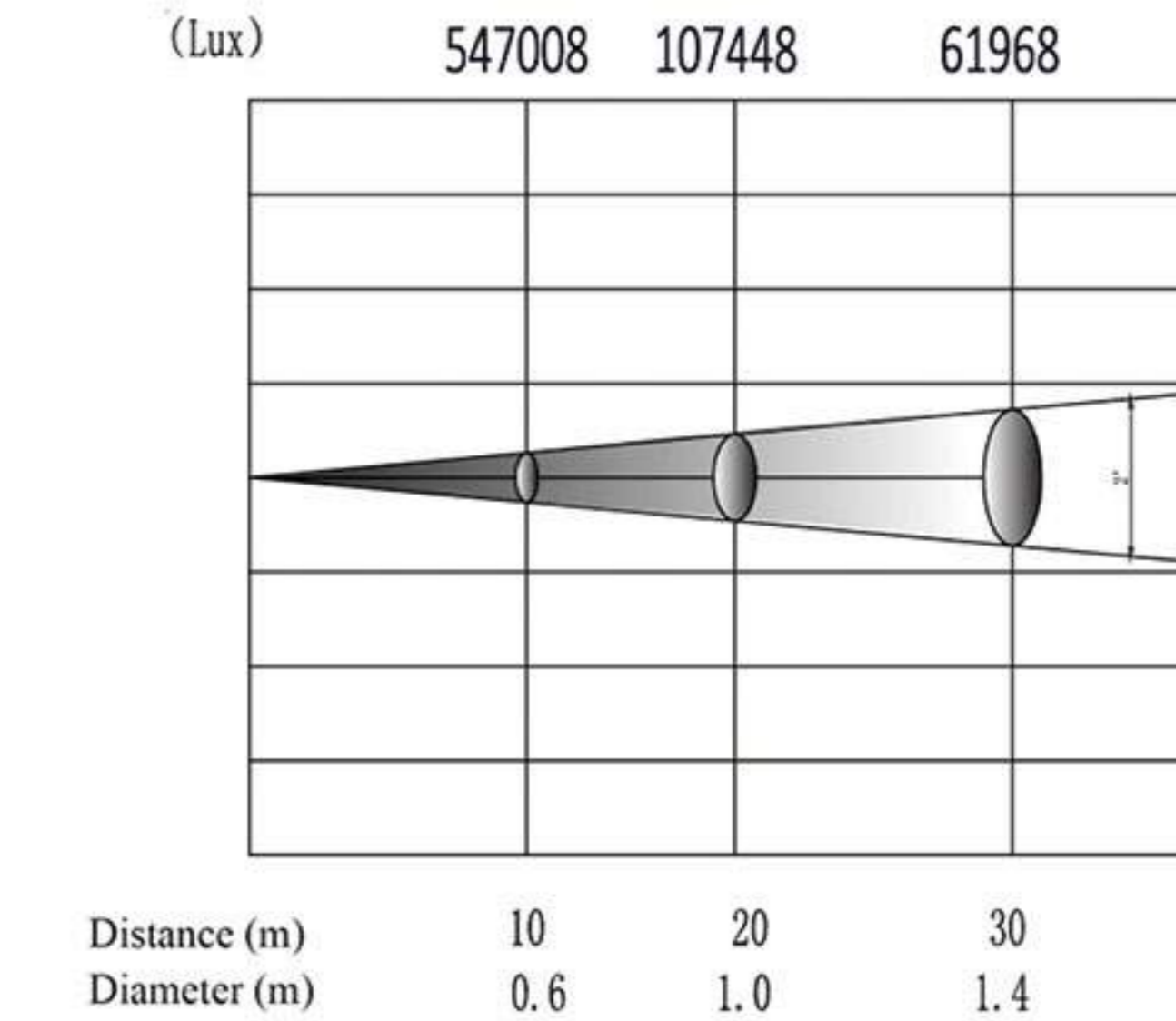


Rotating Gobo
φ21.8mm
Image
φ9.0mm

Fixture size



Photometrics



Control

Pan/Tilt: 540/270°
Control mode: DMX512/RDM
DMX channels: 19
XLR in & out: 3-pin
Rate IP: IP65

Display: LCD color display
Equipped with folded clamps

Packed

Net weight: 21kg
Carton box(1-in-1):
Size: 47×57×80cm
Packed weight: 28kg
Flight case(2-in-1):
Size: 90×90×54cm
Packed weight: 95kg



7R BEAM

230W BEAM

Technical parameters

Power supply

AC100V-240V ,50/60 Hz

Power consumption: 200W/230W

Light source

YODN MSD 200R5/230R7

Rated life: 2,000 hrs

Color temperature: 8500K

Effect

Beam angle: 2°, 800000lux@5m@Min angle

Color wheel: 14 color+ white

Fixed gobo: 17 gobos + white

Prism: 8 facet prism with bi-direction rotation

Frost filter for soft-edge projection

Focus: 0-100% linear

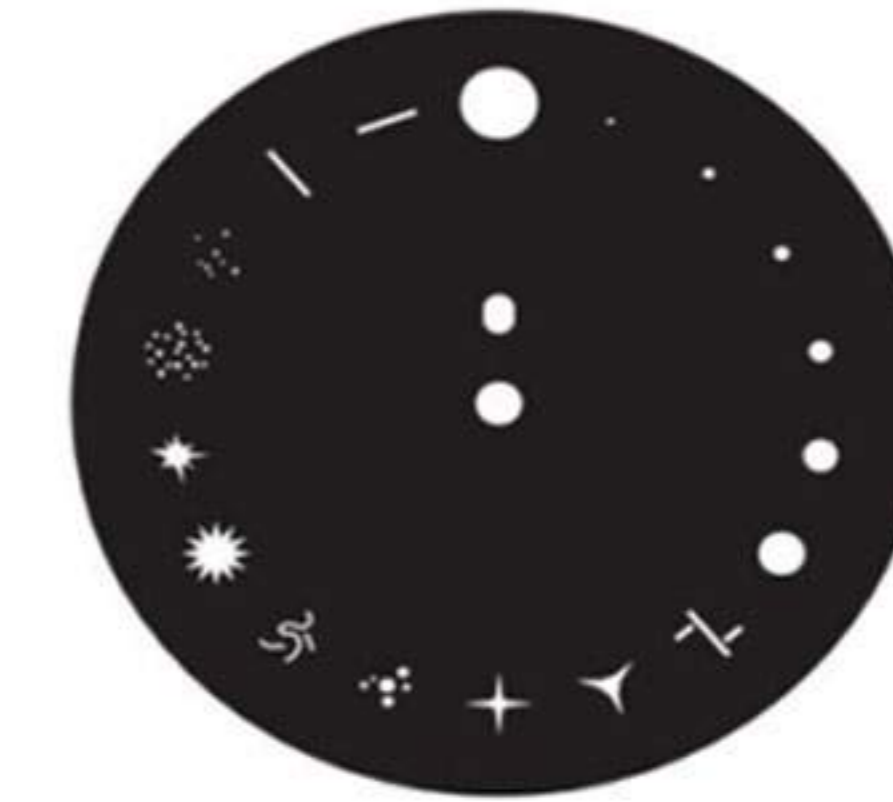
Strobe: 1-25 hz, random and pulse flash

Dimmer: 0-100% linear

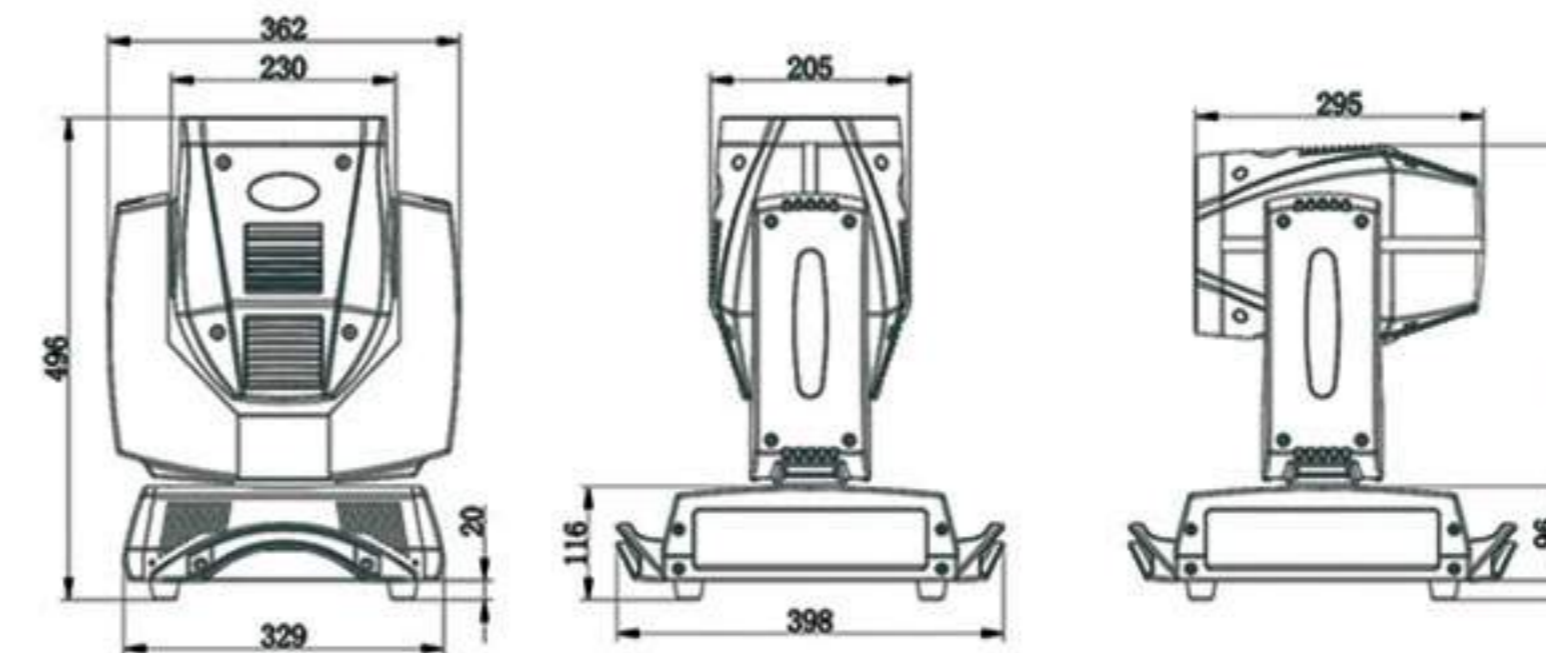
Color wheel



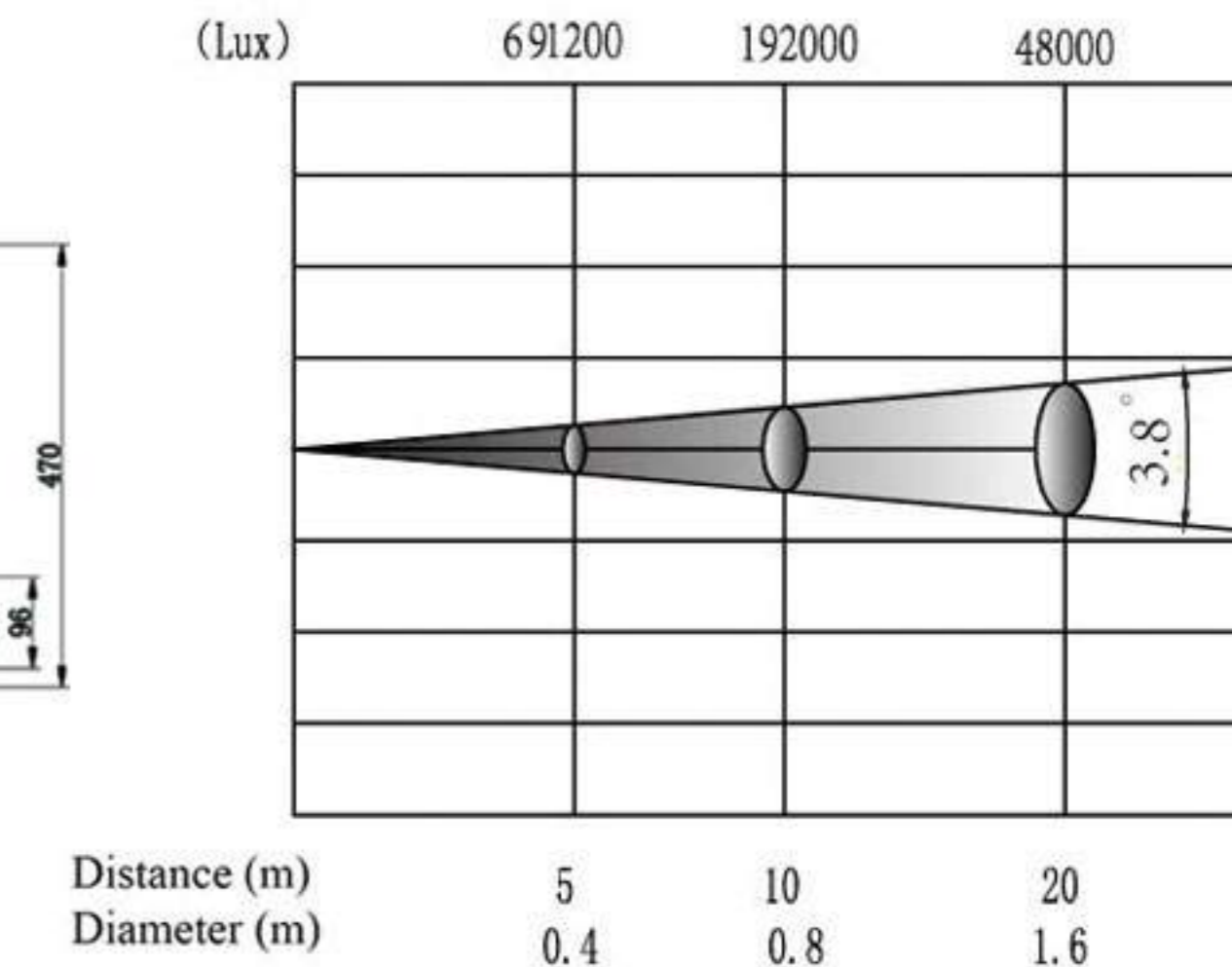
Fixedgobo wheel



Fixture size



Photometrics



Control

Pan/Tilt: 540/270°

Control mode: DMX512

DMX channels: 16/20

XLR in & out: 3-pin

Packed

Net weight: 17kg

Carton box(1-in-1):

Size: 59×48×41cm

Packed weight: 20kg

Flight case(2-in-1):

Size: 82×75×48cm

Packed weight: 63kg



LE-BEAM 100

100W LED BEAM

LED RDM Infinity Pan/Tilt

Technical parameters

Power supply

AC100V~240V, 50/60Hz

Power consumption: 180W

Light source

1*100W LED

Color temperature: 6600K

CRI>70

Effect

Beam angle: 2°, 81000lux@5m@Min angle

Color wheel: 13 color + white

Fixed gobo wheel: 19 gobos + white

Prism: 8-facet

Focusing: 0-100% linear

Frost filter for soft-edge projection

Strobe: 1-25 hz, random and pulse flash

Dimming: 0-100% linear

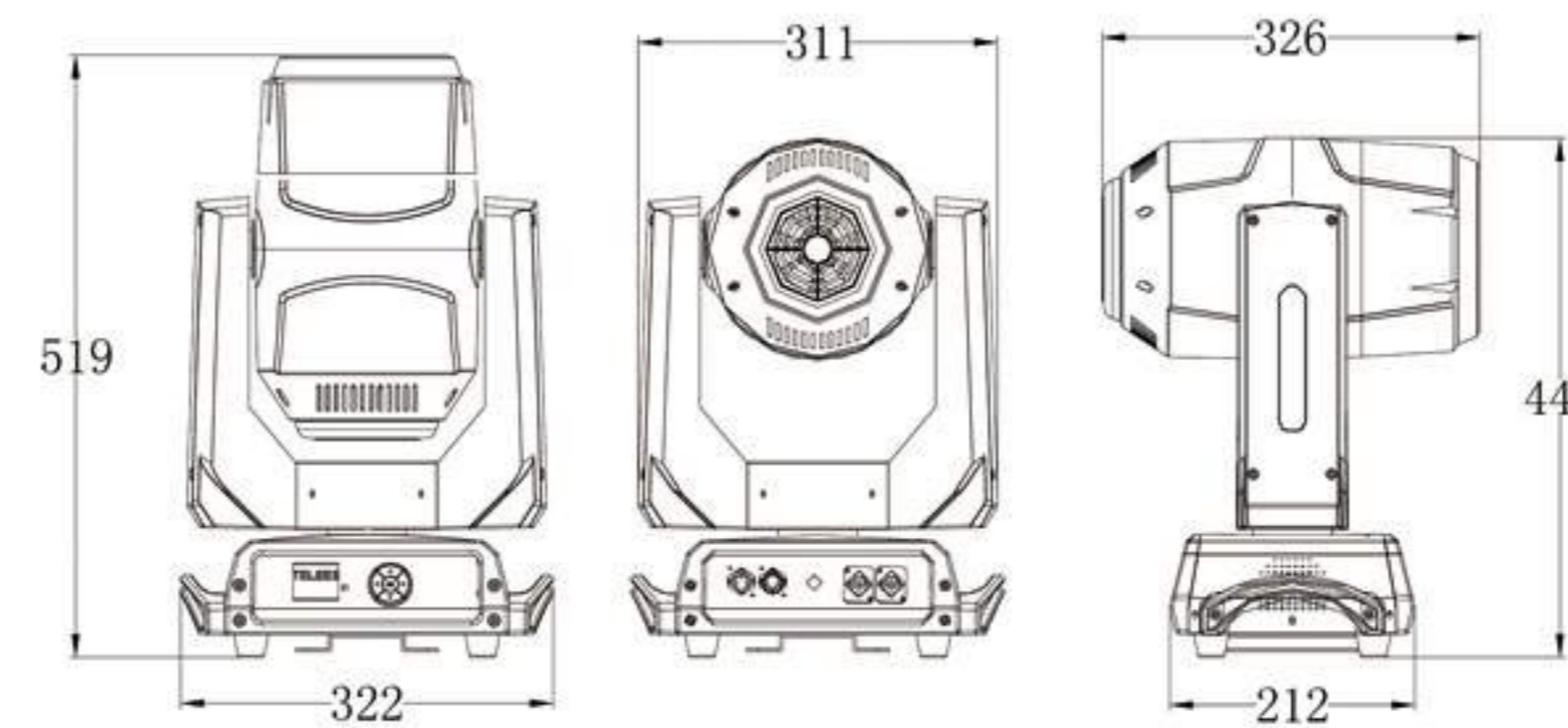
Color wheel



Fixed gobo wheel

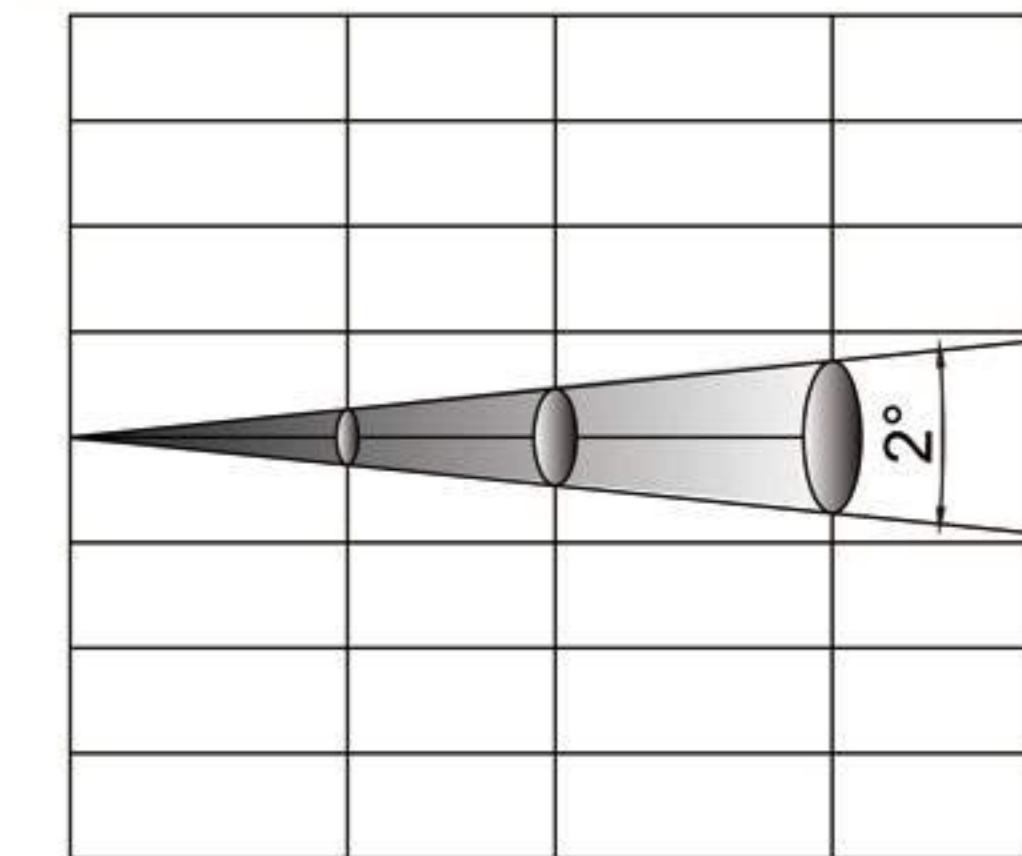


Fixture size



Photometrics

(Lux) 261306 81624 18369



Distance (m)	3	5	10
Diameter (m)	0.10	0.18	0.38

Control

Pan/Tilt: 540/270° & Infinity

Control mode: DMX512/RDM

DMX channels: 16

XLR in & out: 3-pin

Display: LCD color display

Packed

Net weight: 12kg

Carton box(1-in-1):

Size: 61×32×41cm

Packed weight: 16kg

Flight case(2-in-1):

Size: 73×50×78cm


Packed weight: 56kg






44 PCS SUPER HERO PRO supported Astro Maya TV Live Show in Malaysia



80 PCS BIG EYE L4019 supported JJ Lin Sanctuary World Tour

Product	Super Hero 470 Pro	Big Hero 350	LE-Spot 330 Pro	LE-Spot 300 Pro	LE-Beam 100
Picture					
Type	Beam/Spot/Wash 3-in-1	Beam/Spot/Wash 3-in-1	LED Spot	LED Spot	LED Beam
Light source	Osram Sirius HRI 461W S	Philips MSD Silver 350W	330W white LED	230W white LED	100W white LED
Illuminance	525600lux@10m@Min in angle	494000lux@5m@Min in angle	28800lux@5m@Min angle	11700lux@5m@Min angle	81600lux@5m
Beam angle	2.5° (Beam mode) 4-50°(Spot mode)	0-7° (Beam mode) 5-40°(Spot mode)	5-40°	10-27°	2°
CMY Color mixing	Y	N	Y	Y	N
Colors	3 wheels with 14 colors+open	1 wheel with 13 colors+open	3 wheels with 12 colors+open	3 wheels with 12 colors+open	1 wheel with 13 colors
Rotating gobos	6+open	12+open	7+open	5+open	N
Fixed gobos	18+open	17+open	10+open	7+open	19+open
Animation wheel	Y	N	N	N	N
Prism	8-facet+Linear	16-facet+32-facet	3-facet	3-facet	8-facet
Iris	N	N	Y	N	N
Frost	Y	Y	Y	Y	Y
Focusing	Y	Y	Y	Y	Y
Auto-focusing	Y	N	N	N	N
Pan/Tilt movement	540°/270° Fine resolution	540°/270° Fine resolution	540°/270° Fine resolution	540°/270° Fine resolution	Infinity
DMX Channels	30/34	18	22/27/30	19/22	16
XLR IN and OUT	3-pin	5-pin+3-pin	5-pin+3-pin	3-pin	3-pin
Artnet	Y	N	N	N	N
RDM	N	Y	N	Y	Y
LCD color display	N	Y	N	Y	Y
Self-charging batter	Y	N	N	N	N
IP Rate	IP20	IP20	IP20	IP20	IP20
Net weight	30kg	19kg	24kg	13kg	12kg

Product	LS-470 Beam IP	7R BEAM	LS- Beam 100
Picture			
Type	Beam,water-proof IP65	Beam 230W	Beam LED 100W
Light source	Osram Sirius HRI461W S	Yodh R7	100W white LED
Illuminance	<u>547000</u> lux@10m	<u>691200</u> lux@5m	<u>81600</u> lux@5m
Beam angle	2°	2°	2°
CMY color mixing	N	N	N
Colors	1 wheel with 17 colors + open	1 wheel with 14 colors + open	1 wheel with 13 colors
Rotating gobos	7+open	N	N
Fixed gobos	17+open	17+ open	19+open
Animation wheel	N	N	N
Prism	8-facet+24-facet beehive prisms covered effect	8-facet	8-facet
Iris	N	N	N
Frost	Y	Y	Y
Focusing	Y	Y	Y
Auto-focusing	N	N	N
Pan/Tilt movement	540°/270° Fine resolution	540°/270°	Infinity
DMX Channels	19	16	16
XLR IN and OUT	3-pin	3-pin	3-pin
Artnet	N	N	N
RDM	N	N	Y
LCD color display	Y	N	Y
Self-charging battery	N	N	N
IP Rate	IP65	IP20	IP20
Net weight	21kg	16kg	12kg

3-IN-1 MOVING HEADS CHANNEL			LED SPOT MOVING HEADS CHANNEL			BEAM MOVING HEADS CHANNEL		
	Super Hero 470 Pro	Big Hero 350		LE-Spot 330 Pro	LE-Spot 300 Pro		LS-470 Beam IP	LE-Beam 100
CH	STANDARD (30CH) EXTENDED (34CH)	STANDARD (18CH)	CH	STANDARD (27CH)	STANDARD (22CH)	CH	STANDARD (19H)	STANDARD (16H)
1	CMY-C	Pan	1	CMY-C	Pan	1	Pan	Pan
2	CMY-M	Pan fine	2	CMY-M	Pan fine	2	Pan fine	Pan fine
3	CMY-Y	Tilt	3	CMY-Y	Tilt	3	Tilt	Tilt
4	color 1	Tilt fine	4	color 1	Tilt fine	4	Tilt fine	Tilt fine
5	color 2	Pan Tilt speed/ time	5	color 2	Pan/Tilt speed	5	Pan/Tilt speed	PAN ROT
6	color 3	Control	6	color 3	Dimmer	6	Dimmer	TILT ROT
7	Strobe	Color	7	Strobe	Dimmer fine	7	Dimmer fine	Pan/Tilt speed
8	Dimmer	Fixed gobo	8	Dimmer	Strobe	8	Strobe	Dimmer
9	Dimmer fine	Rotation gobo select	9	Dimmer fine	color 1	9	color wheel	Dimmer fine
10	Fixed gobo	Gobo rotation	10	IRIS	color 2	10	Rotation gobo select	SHUTTER
11	Animation wheel	8 facet Rotating Prism	11	Fixed gobo	color 3	11	Rot gobo wheel Rot	Color
12	Animation disk	24 facet Rotating	12	Rotation gobo select	CMY-C	12	Gobo wheel 2	Gobo
13	Rotation gobo select	Prism Rot	13	Rot gobo wheel Rot	CMY-M	13	8-facet prism	Prism&Prism ROT
14	Gobo rotation	Frost	14	Fine gobo rotation	CMY-Y	14	8-facet prism	Frost
15	fine gobo rotation	Zoom	15	Prism	Rotation gobo select	15	24-facet	Focus
16	prism	Focus	16	Prism rotation	Rot gobo wheel Rot	16	24-facet beehive prism	Control
17	prism rotation	Strobe	17	Frost	Fixed gobo	17	Focus	
18	Frost	Dimmer	18	Focus	Prism	18	Frost	
19	Zoom		19	Focus fine	Frost	19	Control	
20	Focus		20	Zoom	Focus			
21	Focus fine		21	Pan	Zoom			
22	Beam mode		22	Pan fine	Control			
23	Pan		23	Tilt				
24	Pan fine		24	Tilt fine				
25	Tilt		25	Macro color				
26	Tilt fine		26	Function				
27	Function		27	Reset				
28	Reset							
29	Lamp control							
30	Macro effects							
31	Pan/Tilt time							
32	Color time							
33	Beam time							
34	Spot time							



WEBSITE

Guangzhou Lees Electronics Co.,Ltd

Address: Room 1211-1214,A1,Country Garden City Crown,
Yingbin Road East,Huadu District,Guangzhou,Guangdong,China.

Tel:+86 20 86839839 E-mail:info@litelees.com

Website:www.litelees.com

Subject to change without notification