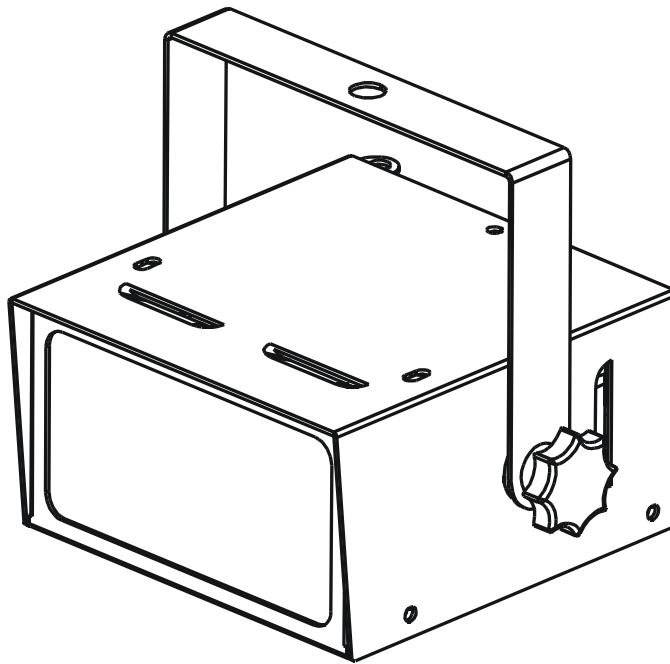




MINI STROBE



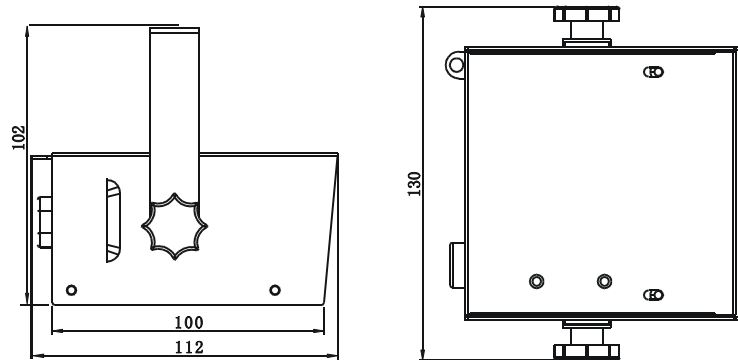
LED-ST05

User Manual

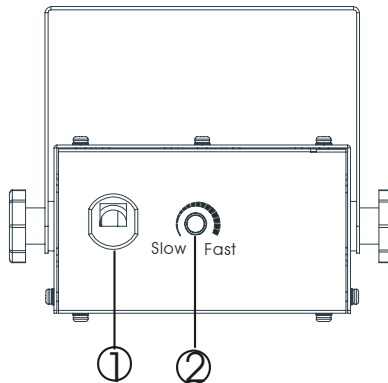
Please read the instructions carefully before use

General Instructions:

- ✧ **LED:** 1 pc 5W White LED
- ✧ **Power supply:** AC100V~240V,50/60Hz
- ✧ **Power consumption:** 5.3W
- ✧ **Dimension(L×W×H):** 130×112×102mm
- ✧ **Weight:** 0.7Kgs



Function Instructions:



- ① **Mains Input:** To connect to power supply.
- ② **Speed:** To adjust the flash rate (1~12 flash per second).

Cautions:

1. The machine should be kept away from moisture.
2. Always use the same type of spare parts.
3. Always remember to unplug the unit from the power mains before any service is done. There are no user serviceable parts inside. Service should be done by qualified personnel only.

Declaration of Conformity

We declare that our products (lighting equipments) comply with the following specification and bears CE mark in accordance with the provision of the Electromagnetic Compatibility (EMC) Directive 2004/108/EC.

EN55103-1: 2009 ; EN55103-2: 2009;
EN61000-3-2: 2006 + A1:2009 + A2:2009; EN61000-3-3: 2008.
&

Harmonized Standard

EN 60598-1:2008 + All:2009; EN 60598-2-17:1989 + A2:1991;
EN 62471:2008; EN 62493: 2010
Safety of household and similar electrical appliances
Part 1: General requirements

Innovation, Quality, Performance