

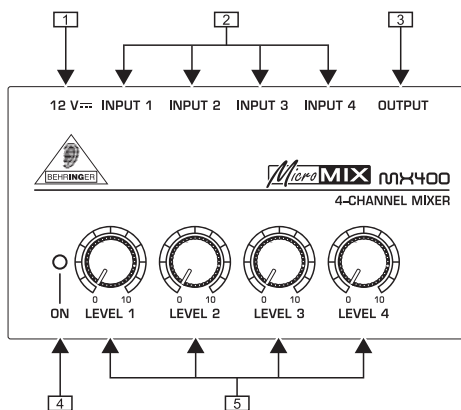
# BEHRINGER MicroMIX MX400

## WELCOME TO BEHRINGER

Thank you for showing your confidence in us by purchasing the BEHRINGER MicroMIX MX400.

This 4-channel mixer is perfect for anyone wanting to mix 4 line level signals quickly and without complications. Despite its compact size, this mixer produces highest signal quality even at highest levels, in highest signal integrity.

## CONNECTORS AND CONTROL ELEMENTS



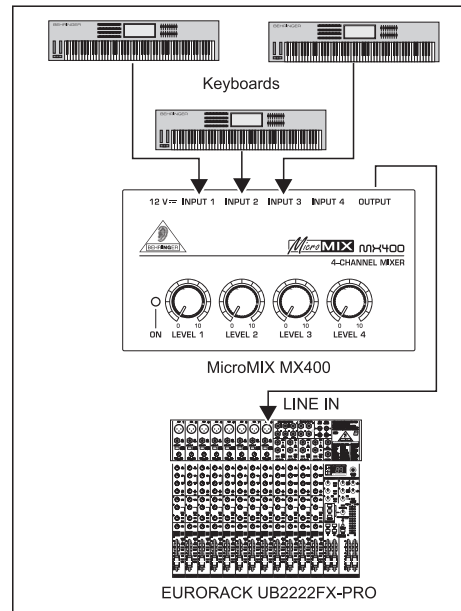
MX400 connectors and control elements

- 1 Connect the power supply unit to your MX400 using the 12 V connector. Connecting the power supply unit to the mains automatically switches the MX400 on. To disconnect the unit from the mains, pull out the main cord plug.  
**⚠ When installing the product, ensure that the plug is easily accessible. If mounting in a rack, ensure that the mains can be easily disconnected by a plug or by an all-pole disconnect switch on or near the rack.**
  - 2 Up to four line signal sources can be connected to these 1/4" TS connectors (*INPUT*).
  - 3 **⚠ In case the volume level of one of the signal sources is set too high, the input of the corresponding channel may produce distortion!**
  - 3 The *OUTPUT* carries the MIX signal and is on a 1/4" TS connector.
  - 4 This *ON* LED is illuminated as soon as the unit is connected to the power.
  - 5 Using the *LEVEL* controls you can set the output level of each channel.
- ⚠ High volume levels can damage your hearing or your headphones. Please turn down all volume controls to zero (all the way to the left) before you power up the amp. Always make sure you use appropriate volume levels.**

*SERIAL NUMBER.* The serial number of the MX400 is located at the bottom.

## APPLICATIONS

The following figure shows an example of how to use the MicroMIX MX400.



Example: MX400 wiring

## WARRANTY

For our current warranty terms, please refer to our website at <http://www.behringer.com>.

Die deutsche Anleitung ist erhältlich @ [www.behringer.com](http://www.behringer.com)  
Manuel francophone en téléchargement sur [www.behringer.com](http://www.behringer.com)  
Manual en español disponible en [www.behringer.com](http://www.behringer.com)  
Manuali italiani disponibili @ [www.behringer.com](http://www.behringer.com)  
Русскоязычное руководство @ [www.behringer.com](http://www.behringer.com)  
Polska instrukcja dostępna jest pod adresem @ [www.behringer.com](http://www.behringer.com)  
Nederlandse handleiding beschikbaar @ [www.behringer.com](http://www.behringer.com)  
Suomenkielinen käyttöohje saatavilla osoitteesta [www.behringer.com](http://www.behringer.com)  
Svensk manual finns tillgänglig på [www.behringer.com](http://www.behringer.com)  
Dansk vejledning findes på @ [www.behringer.com](http://www.behringer.com)  
Manual português disponível @ [www.behringer.com](http://www.behringer.com)  
Ελληνικό εγχειρίδιο υπάρχει διαθέσιμο στη διεύθυνση [www.behringer.com](http://www.behringer.com)  
日本語版マニュアル@ [www.behringer.com](http://www.behringer.com)  
使用说明书可在 [www.behringer.com](http://www.behringer.com) 下载

# BEHRINGER MicroMIX MX400

## SPECIFICATIONS

### LINE INPUTS

Type	1/4" TS connector
Impedance	min. 4.7 k $\Omega$
Max. input level	+16 dBu

### OUTPUT

Type	1/4" TS connector
Impedance	approx. 80 $\Omega$
Max. output level	+16 dBu

### POWER SUPPLY

external power supply, 12 V  $\equiv$  / 150 mA

Power range	
USA/Canada	120 V~, 60 Hz
China	220 V~, 50 Hz
U.K./Australia	240 V~, 50 Hz
Europe	230 V~, 50 Hz
Japan	100 V~, 50 / 60 Hz

### DIMENSIONS/WEIGHT

Dimensions (H x D x W)	approx. 1 5/6" x 2 1/4" x 4 1/16" (approx. 46.5 mm x 57.2 mm x 103.6 mm)
Weight	approx. 0.38 lbs (190 g)

BEHRINGER is constantly striving to maintain the highest professional standards. As a result of these efforts, modifications may be made from time to time to existing products without prior notice. Specifications and appearance may differ from those listed or illustrated.

## SAFETY INSTRUCTIONS

- 1) Read these instructions.
- 2) Keep these instructions.
- 3) Heed all warnings.
- 4) Follow all instructions.
- 5) Do not use this apparatus near water.
- 6) Clean only with dry cloth.
- 7) Do not block any ventilation openings. Install in accordance with the manufacturer's instructions.
- 8) Do not install near any heat sources such as radiators, heat registers, stoves, or other apparatus (including amplifiers) that produce heat.
- 9) Do not defeat the safety purpose of the polarized or grounding-type plug. A polarized plug has two blades with one wider than the other. A grounding type plug has two blades and a third grounding prong. The wide blade or the third prong are provided for your safety. If the provided plug does not fit into your outlet, consult an electrician for replacement of the obsolete outlet.
- 10) Protect the power cord from being walked on or pinched particularly at plugs, convenience receptacles, and the point where they exit from the apparatus.
- 11) Only use attachments/accessories specified by the manufacturer.
- 12) Use only with the cart, stand, tripod, bracket, or table specified by the manufacturer, or sold with the apparatus. When a cart is used, use caution when moving the cart/apparatus combination to avoid injury from tip-over.
- 13) Unplug this apparatus during lightning storms or when unused for long periods of time.
- 14) Refer all servicing to qualified service personnel. Servicing is required when the apparatus has been damaged in any way, such as power supply cord or plug is damaged, liquid has been spilled or objects have fallen into the apparatus, the apparatus has been exposed to rain or moisture, does not operate normally, or has been dropped.

Technical specifications and appearance subject to change without notice. The information contained herein is correct at the time of printing. The names of companies, institutions or publications pictured or mentioned and their respective logos are registered trademarks of their respective owners. Their use neither constitutes a claim of the trademarks by BEHRINGER® nor affiliation of the trademark owners with BEHRINGER®. BEHRINGER® accepts no liability for any loss which may be suffered by any person who relies either wholly or in part upon any description, photograph or statement contained herein. Colours and specification may vary slightly from product. Products are sold through our authorised dealers only. Distributors and dealers are not agents of BEHRINGER® and have absolutely no authority to bind BEHRINGER® by any express or implied undertaking or representation. No part of this manual may be reproduced or transmitted in any form or by any means, electronic or mechanical, including photocopying and recording of any kind, for any purpose, without the express written permission of BEHRINGER Spezielle Studioteknik GmbH. BEHRINGER® is a registered trademark.

ALL RIGHTS RESERVED © 2005 BEHRINGER Spezielle Studioteknik GmbH,  
Hanns-Martin-Schleyer-Str. 36-38, 47877 Willich-Müncheide II, Germany.  
Tel. +49 2154 9206 0, Fax +49 2154 9206 4603

## INSTRUCCIONES DE SEGURIDAD

- 1) Lea las instrucciones.
- 2) Conserve estas instrucciones.
- 3) Preste atención a todas las advertencias.
- 4) Siga todas las instrucciones.
- 5) No use este aparato cerca del agua.
- 6) Limpie este aparato con un paño seco.
- 7) No instale el equipo cerca de fuentes de calor.
- 8) Proteja los cables de suministro de energía de tal forma que no sean pisados o doblados.
- 9) Use únicamente los dispositivos o accesorios especificados por el fabricante.
- 10) Desenchufe el equipo durante tormentas o si no va a utilizarlo durante un periodo largo.
- 11) Confíe las reparaciones únicamente a servicios técnicos cualificados. Se requiere mantenimiento siempre que la unidad haya sufrido algún daño.

## УКАЗАНИЯ ПО ТЕХНИКЕ БЕЗОПАСНОСТИ

- 1) Прочитайте эти указания.
- 2) Сохраните эти указания.
- 3) Выполняйте эти указания.
- 4) Следуйте всем инструкциям по обслуживанию.
- 5) Не пользуйтесь прибором в непосредственной близости от воды.
- 6) Протирайте прибор сухой тряпкой.
- 7) Не располагайте прибор рядом с источниками тепла.
- 8) Прокладывайте сетевой кабель таким образом, чтобы он был защищён от обуви и острых кромок и не мог быть повреждён.
- 9) Применяйте только рекомендованные производителем дополнительные приборы/принадлежности.
- 10) Вынимайте вилку из розетки при грозе и длительных перерывах в эксплуатации прибора.
- 11) Поручайте выполнение работ по обслуживанию прибора только квалифицированному персоналу сервисной службы. Техническое обслуживание требуется если прибор был каким-то образом повреждён.

## 安全にお使いいただくために

- 1) 取扱説明書を通してご覧ください。
- 2) 取扱説明書を大切に保管してください。
- 3) 警告に従ってください。
- 4) 指示に従ってください。
- 5) 本機を水の近くで使用しないでください。
- 6) お手入れの際は常に乾燥した布巾を使ってください。
- 7) 本機は熱源から離して設置してください。
- 8) 電源コードを踏みついたり、挟んだりしないようご注意ください。
- 9) 付属品は本機製造元が指定したのみをお使いください。
- 10) 雷雨の場合、もしくは長期間で使用にならない場合は、電源プラグをコンセントから抜いてください。
- 11) 故障の際は当社指定のサービス技術者に修理をご依頼ください。装置がある特定の原因によって故障が生じた場合、修理が必要となります。

## 详细安全说明

- 1) 请您阅读这些说明。
- 2) 请您妥善保存这些说明。
- 3) 请您注意所有的警告说明。
- 4) 请您遵守所有的操作说明。
- 5) 请您不要在水附近运行此机器。
- 6) 请您用于布清洁此机器。
- 7) 请您不要将此机器放置在热源附近。
- 8) 请您正确铺设电源线，使其不会被踩踏和被尖角损坏。
- 9) 请您只使用制造厂认为合适的附加机器/配件。
- 10) 在雷雨时或长期不使用机器时请您将电源插头拔出。
- 11) 请您只允许具备资格的服务人员进行保养工作。当机器有损坏时，要进行维修保养。

ENGLISH

ESPAÑOL

РУССКИЙ

日本語

中文