

ToneWinner
TONEWINNER Hi-Fi AUDIO 天逸®

AD-7300PA
user manual
使用说明书

Audio power amplifier
专业声频 功率放大器

Thank you for purchasing Tonewinner's new and approved audio products. We will fulfill our “high-tech, high quality and high taste” company idea, use exquisite crafts, classical circuits, advanced technologies, good quality, good services to provide stable, reliable, durable and pleasant audio products for all customers.

- 7 independent amplifier circuit modules, which are low distortion and high speed HI-FI, can offer full audio resolution. Note: FL, FR channels use external heatsink, their classA working current is higher than other channels. Before working, make sure the cables are correctly connected.
- Perfect amplifier protecting circuits (short protection, self-excitation protection, overheating protection and DC protection)
- 7 channels equipower output, meet different occasion needs.
- Big power switching power supply, abundant power stock.
- Big power tube parallel output, can supply 45A current output, big output power margin.
- High strength and durable casing structure; Scientific inner setting, strong anti-interference ability; High quality aluminum panel, simple and easy appearance.

Contents

Important precautions.....3

Functions4

Features.....4

Front Panel.....4-5



Rear panel.....5

Performance Index.....6

Safety Precaution Level: I level device.....6

Important precautions

Warning

- Avoid any dangers, please don't open the cover (or rear panel).
 - Please contact qualified worker if maintenances are needed.
 - Avoid firing and electric shock, please don't wet or damp the unit.
1. Read the precaution—read all protection and operation items on user manual carefully before use the product.
 2. Follow the instruction— follow the operations and usage information, don't break the instructions.
 3. Be away from water and moisture— don't put the amplifier near water, including bath, wash basin, pool and washing machine. Don't use in moist environment.
 4. Clean— don't use liquid cleaner or spray cleaner. Use dry rag to clean. Unplug the power before cleaning.
 5. Power— Follow the indications for the power supply usage. Arrange the wires well, pay attention to plugs.
 6. Ventilation— don't block off the air vent. Don't use the product on bed/sofa/carpet; make sure enough space around the unit for venting.
 7. Heat—keep away from heat, e.g. heat sink, fire or stove (including power amplifier).
 8. Avoid extra objects or liquid— prevent the machine built-in from extra objects or liquid, which may lead to leakage and fire. Don't expose the unit to rain or moisture, don't expose it to the dripping or splashing from other sources, and ensure that no objects filled with liquids (such as vases) are placed around it.
 9. Thunder—unplug the power during thunder so as to protect the unit.
 10. Protection— if long time not use the unit, please unplug the power. Good grounding can protect the unit.
 11. Maintenance— for safety please don't open the unit. Please send the unit to our factory under the following situations:
 - a) Extra things and liquid fall into internal cabinet.
 - b) The unit is wet.
 - c) Operation strange.
 - d) The unit fell from high or damaged.
 12. Be environment-friendly— do not discard the waste battery.
 13. This unit can power off by power cord plug, appliance coupler. Make sure the unit seat on spacious place.
 14. This product can only safely use under elevation 2000m 
 15. This product can only safely use on non-tropical climate area. 
 16. I level equipments should connect to power network and power socket which must have protected grounding.

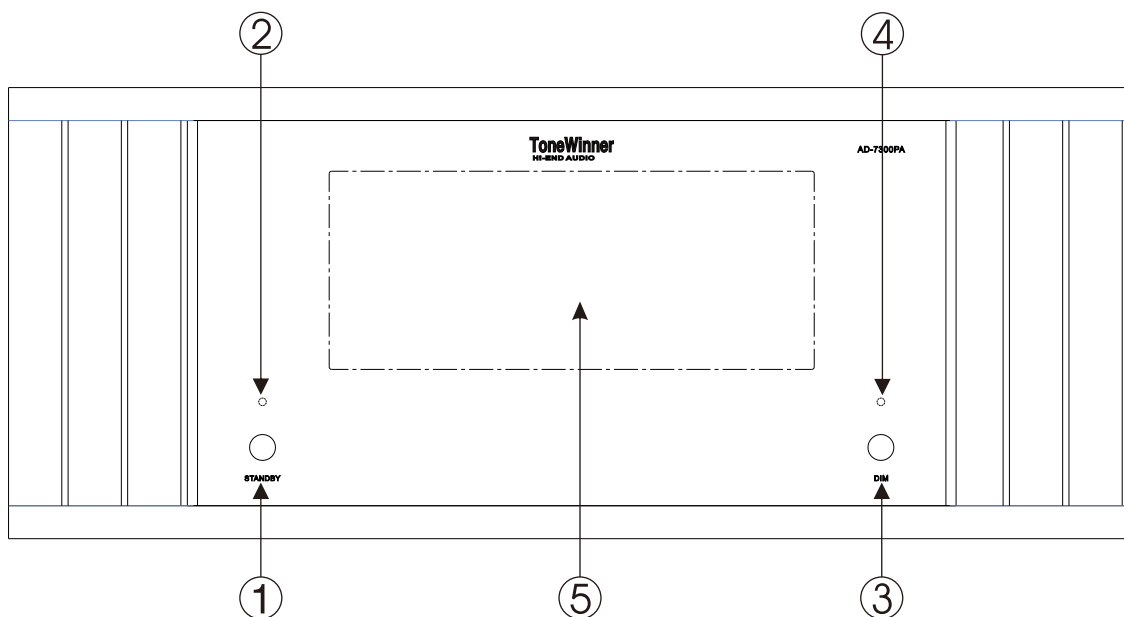
Functions

- Big power switching power supply,
- 7 channels separated unbalance inputs, balance inputs,
- Manual and trigger for standby/turn on,
- Big acrylic DC ammeter, display working status of FL-FR-C,
- Indicator light on/off switch on front panel(dim),
- Trigger on/off button and dim switch on rear panel.

Features

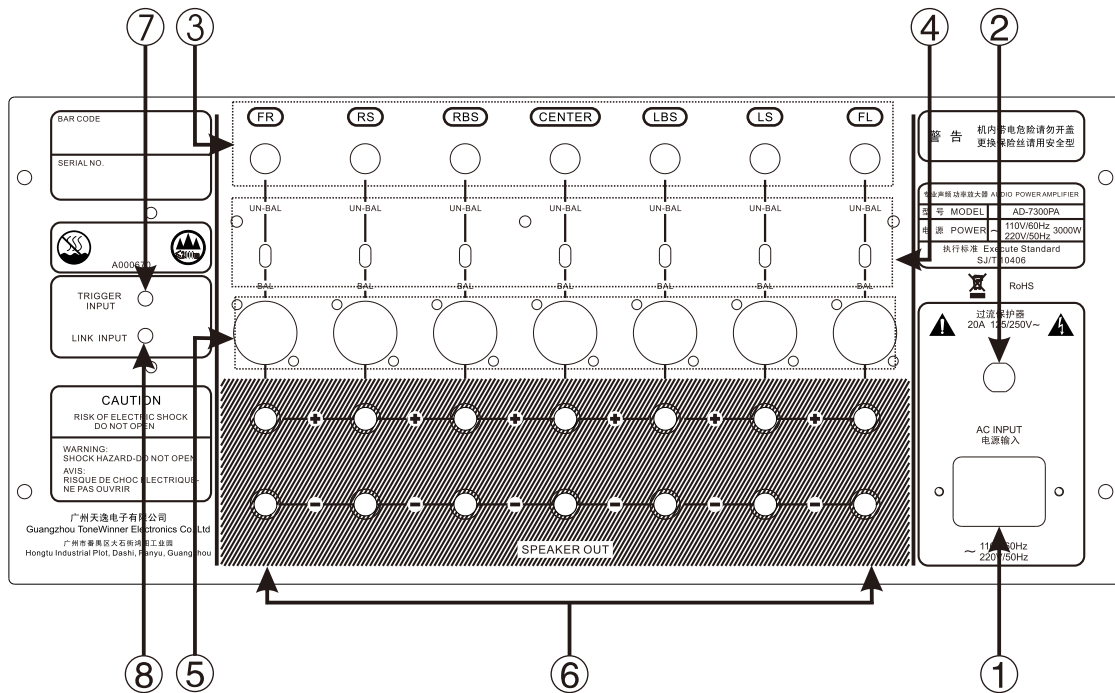
This is a new audio amplifier combines with switching power supply and analog amplifier. Power changes from traditional filter transformer to switching power, power output is greater and stronger; Amplifier uses our classic HI-FI circuit; 7 independent channels, each channel use high end gold plated RCA and XLR terminals, you can choose any one of them as music source to work with preamplifier. This is a popular high end amplifier which combines with HI-FI and AV, it will meet your different favors.

Front Panel



1. Standby button: press this button can turn on/off the unit. If unplug the power cord when the unit is on, it will return to the current status when you plug again the cord.
2. Standby indicator light: standby status, the indicator light is red; protection status, the light flash every two seconds.
3. DIM: this button can adjust brightness of indicator lights.
4. DIM indicator lights: only when background indicator lights are dim into off, this DIM indicator light will turn on color green.
5. DC ammeter: single indicate working status, it works when FL-FR-C have singles.

Rear panel



- 1.AC INPUT: power input terminal.
- 2.Protectors: 20AL250V, mains supply over current protection, any unusual situation it will protect the unit, press this button to normal power supply status.
- 3.Analog single input: input terminals that connect cables to preamplifier.
- 4.Signal channel switch: switch for balance and unbalance.
- 5.RCA input: input terminals that connect cables to preamplifier.
- 6.Amplifier signal output terminal: for connecting speaker cables, make sure positive pole and negative pole connections are correct.
- 7.Trigger input: level input port for preamp trigger on/off
- 8.Link input: level input port for preamp brightness control.(only valid when work with Tonewinner brand preamp)

Specifications

- 1.S/N:>100dB (A-weighted)
- 2.THD +: $\leq 0.09\%$ (1KHz, normal working status)
- 3.Frequency Response:20Hz-50KHz(+1/-3dB)
- 4.Power Output
 - L+R: 300Wx2 (8ohm,one channel, 1KHz,THD=1%)
 - Center: 300Wx2 (8ohm,one channel, 1KHz,THD=1%)
 - LS+RS: 300Wx2 (8ohm,one channel, 1KHz,THD=1%)
 - LBS+RBS: 300Wx2 (8ohm,one channel, 1KHz,THD=1%)
- 5.Rated Load Impedance: $8\ \Omega$
- 6.Power Requirements:1.8V
- 7.Gain: 29.5dB

Safety Precaution Level: I level device

- 1.Please read user manual and safety precaution items carefully before using this power amplifier.
- 2.Please install the amplifier in a ventilated and dry place. Avoid any moisture and lampblack.
- 3.Power cord connects to AC220V, 50HZ.
- 4.Output terminals should connect to specified load impedance; make sure no shortcut between terminals, no shortcut between terminals and chassis.
- 5.Avoid any electric shock. Don't open the top cover when the unit is working.
- 6.Don't turn on/off the unit frequently; restart the unit few minutes after turn off.
- 7.We have 3 guarantee services. When amplifier has faults, please send the unit to designated merchant or send back to factory for maintenances. Avoid any accidents happen, please don't open the top cover by yourself.
- 8.All spare parts (plug, power cord ,fuse, power switch, transformer) included for this amplifier are safety parts, any maintenance need to change these parts, please change same model, same specification on designated suppliers.

感谢您使用天逸品牌的音响产品，我们将以“高科技、高品质、高品位”的企业理念，以精美的工艺、经典的电路、高新的科技、稳定的质量，一流的品质、一流的服务，为广大消费者提供我们稳定、可靠、耐用、好听的音响科技成果！

- 7个独立的低失真、高速HI-FI型功放线路模组，提供细腻、纯美、饱满的音频解析力；本机FL.FR采用外露散热器，甲类工作电流比其它通道大，音色、音质更好！
- 完善的功放保护线路（短路保护、自激保护、过热保护、直流保护）；
- 7声道等功率输出，可满足多种场合需求；
- 大功率开关电源，功率储备充沛富裕；
- 大功率音频专用名管并联输出，提供45A大电流输出能力，输出功率余量大；
- 本机结构采用高强度的冷板、坚固、结实、耐用；机内布局严谨合理，抗干扰度强；优质铝面板和亚克力镜片，外观新颖、简洁大方。

目 录

一. 注意的重要防护措施	9
二. 功能概述	10
三. 特点概述.....	10
四. 面板简介.....	10-11
五. 背板简介.....	11
六. 性能指标.....	12
七. 安全防护类别：I类设备.....	12

一. 注意的重要防护措施



警告
机内带电危险请勿开盖



- 为了减低触电的危险，请勿拆卸外罩(或后盖)。
- 如须维修，应该请符合资格的维修人员进行维修。
- 为了避免火灾及触电危险，请勿使本机淋湿或受潮。

- 1. 阅读防护措施**—在使用设备前，仔细阅读说明书中所有防护与操作的有关警告信息。
- 2. 遵循使用说明**—请遵循说明书中的操作与使用信息，请勿违反使用说明操作。
- 3. 远离水与潮湿**—不要将设备放在靠近水的地方，如浴缸、脸盆、水池、洗衣机等；也不能在高温高湿环境下使用，如潮湿的地下室等。
- 4. 清洁**—请勿用液体清洁剂和雾状清洁剂，请用干布清洁。清洁设备前请先将电源插头拔下。
- 5. 电源**—电源使用请按照产品使用标示。应合理布置走线，请勿踏线、拉扯电源线，以免造成破坏。
- 6. 通风**—本产品外壳留有通风孔，用于通风。为确保产品使用性能可靠，应避免设备过热，请不要遮挡覆盖设备。不要在类似床、沙发、地毯等类似的表面使用本产品。报纸、桌布、窗帘和其他物体都可能遮住通风孔。不要将设备放在可能挡住设备通风孔的窗帘旁边。如果设备是内置式安装，如书柜或架子上，请确保有足够的通风。设备两侧、上面、后面各保持10cm(4")的距离。设备支架或上方遮板的后边缘应距离后面板或墙壁10cm(4")，留出通风散热的空间。
- 7. 热力**—使产品远离热源，如散热器、火炉等能产生热能的物体(包括功率放大器)。
- 8. 雷电**—在打雷闪电时，需要保护设备，请将电源线拔掉，可以有效防止雷电冲击。
- 9. 防止异物或液体**—应该小心防止物体或液体透过洞孔倒泻入机内，因为可能接触到电流或带电部分，导致火灾或电击。本产品不能置於雨淋或水溅之处，也不能将装水容器，如花瓶等置於其上。
- 10. 保护**—长时间不使用本产品时，请拨下电源插头。良好的接地可防止本机受到破坏。
- 11. 维修**—使用者自己不要打开设备的外壳，以免触电。在以下情况，需要维修服务，请将本机送我厂当地特约维修点进行维修。
 - a) 异物、液体进入本机内。
 - b) 设备被淋雨。
 - c) 机器操作异常。
 - d) 机器跌落或机体损坏。
- 12. 电池**—注意环保，不要随意丢弃用过的废旧电池。
- 13.** 本机断电装置为电源插头、器具耦合器等，机器应放在易拔插的位置。
- 14.** 本产品仅适用于海拔2000m以下地区安全使用。
- 15.** 本产品仅适用于非热带气候条件下安全使用。
- 16.** I类结构的设备应当连接到带保护接地连接的电网电源输出插座上的警告。

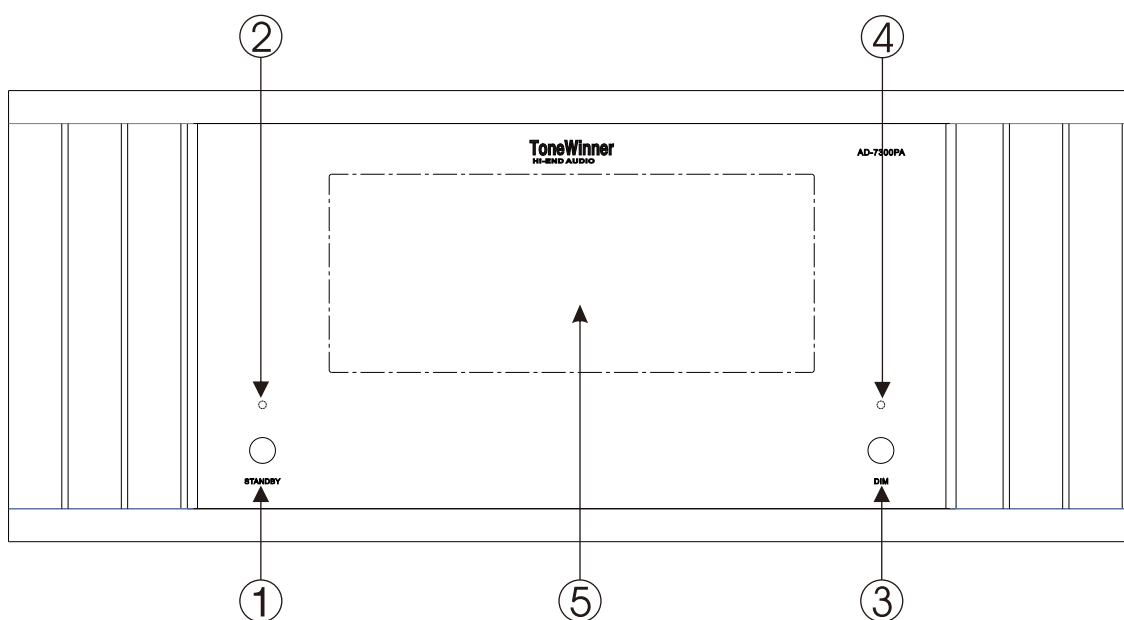
二. 功能概述

- 大功率开关电源；
- 7路独立非平衡输入，平衡输入；
- 手动/触发待机/开机功能；
- 亚克力加金属大尺寸直流电流表，显示FL-FR-C等通道工作状态；
- 面板设有背景指示灯亮/灭开关（DIM）；
- 背板设有触发开/关机接口，亮度调节控制接口。

三. 特点概述

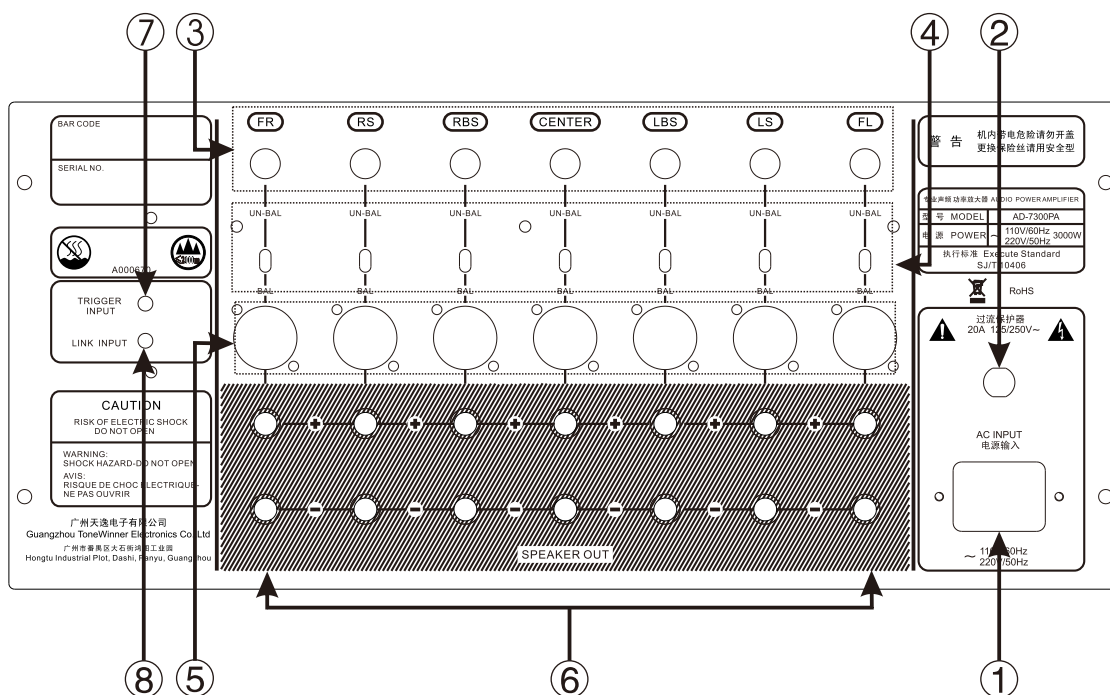
本机是一款由开关电源和模拟功放组成的新款声频功率放大器。电源部分由开关电源取代了传统的变压器整流滤波方式，因此具有强大的功率输出，推力十足。轻巧，节能等诸多优点。功放电路采用了本公司经典HI-FI线路；本机共有7个独立的放大通道，每个通道有高端镀金RCA和镀金平衡座，任意选择一种输入音源与前级匹配；因此本机是现在流行超清标配后级高端放大器；本机集HI-FI与AV于一身，鱼与熊掌两者皆得，是一款不可多得的优良放大器，定能满足您不一样的需求！

四. 面板简介



1. STANDBY: 待机开关, 开关机时触按此键可打开或关闭本机。如在开机状态直接拔下电源线, 下次插入电源线时, 本机将直接恢复到上次关电时的工作状态。
2. 待机保护指示灯: 待机时为红色, 机器保护时间间隔1秒闪烁。
3. DIM: 亮度控制开关, 可调节面板背景灯亮度。
4. DIM指示灯: 只有DIM开关将背景灯亮度调为关闭状态时, 这个绿色指示灯才会点亮。
5. 直流电流表: 信号指示工作状态FL-FR-C有信号时有效。

五. 背板简介



1. AC INPUT: 电源输入端。
2. 保护器: 20AL250V, 本机市电过流保护器, 有异常时会保护本机, 按下此钮可恢复通电状态。
3. 模拟信号输入端: 信号输入端子, 与前级对应端口进行连接。
4. 信号通道选择开关: 在平衡非平衡信号之间选择, 向上选择非平衡信号, 向下选择平衡与输入信号匹配。
5. 平衡信号输入: 信号输入端子, 与前级对应端口进行连接。
6. 功放输出信号接线端: 将音箱的喇叭线接到相对应通道的输出端子上, 正负线不可接反。
7. TRIGGER INPUT: 前级触发开关机电平输入端口。
8. LINK INPUT: 前级亮度控制电平输入端口。(须与天逸前级匹配才有效)

六.主要技术指标

- 1.信噪比： $>100\text{dB}$ (A计权)
- 2.失真度： $\leq 0.09\%$ (1KHz, 正常工作条件)
- 3.频率响应： $20\text{Hz} - 50\text{KHz}$ (+1/-3dB)
- 4.输出功率：左声道+右声道： $300\text{W} \times 2$ (8Ω 单声道, 1KHz, THD=1%)
中置声道： 300W (8Ω 单声道, 1KHz, THD=1%)
左环绕+右环绕： $300\text{W} \times 2$ (8Ω 单声道, 1KHz, THD=1%)
左后环绕+右后环绕： $300\text{W} \times 2$ (8Ω 单声道, 1KHz, THD=1%)
- 5.额定负载阻抗： 8Ω
- 6.最小源电动势： 1.8V
- 7.整机增益： 29.5dB

七.安全防护类别：I类设备

- 1.使用前请仔细阅读使用说明书和本机安全注意事项。
- 2.产品应安装在便于散热的通风干燥处，避免水气和油烟。
- 3.安装时电源插头应接入交流220V，电源频率为50Hz的电网中。
- 4.功放机的输出端子应与规定的负载阻抗相连接，输出端子之间不能有短路，并不得与机壳有导电连接。
- 5.为防止触电，使用中用户切勿取下机盖。
- 6.不宜频繁开关机，关机后再开机应等待数分钟。
- 7.本机发生故障时，本厂实行“三包”，用户应送指定的商家或维修部维修或送本厂修理，用户切勿自行打开后盖检查或修理以免产生意外。
- 8.本机所用的插头、电源线、保险管、电源开关、电源变压器均为安全件，各维修部更换安全件时，应用本厂提供图纸资料上所规定的型号、规格和定点厂家的元器件更换。

本产品规格若有变动，恕不另行通知

ToneWinner
TONEWINNER HI-FI AUDIO 天逸®

市场部：广州市番禺区大石街鸿图工业园（511430）

电话：020-34789751、34789761

Http:www.tonewinner.com