

Lavoce

MUSICAL INSTRUMENT SPEAKER
CATALOGUE **02.24**



WWW.LAVOCESPEAKERS.COM



-  BASS
-  ELECTRIC
-  ACOUSTIC
-  KEYBOARD

**EXPRESSIVE SPEAKER
SOLUTIONS FOR
BACKLINE PROJECTS**

EXPRESSIVE
SPEAKER
SOLUTIONS
FOR BACKLINE
PROJECTS

Lavoce

I T A L I A N A

Lavoce Italiana R&D center
and International sales
office at Elettromedia
Potenza Picena - Marche



USA



Lavoce Italiana
North American sales
office and warehouse
Old Hickory - Tennessee

ITALY

CHINA



Lavoce Italiana production
plant, China sales office
and main warehouse
Jiashan - Zhejiang



WWW.LAVOCESPEAKERS.COM

INDEX

MUSIC IS OUR LIFE: SETTING THE TONE	02
PURE POTENZA: ITALIAN ENGINEERING	03
MANUFACTURING EXCELLENCE: OUR PRODUCTION PLANT	05
BASS GUITAR SPEAKERS: 8" 10" 12" 15"	06
ELECTRIC GUITAR SPEAKERS: 10" 12"	21
PROFESSIONAL MI SPEAKERS: 2" 3" 4" 6.5" 8" 10" 12"	24
PROFESSIONAL HIGH FREQUENCY DEVICES: TWEETERS COMPRESSION DRIVERS	37
TECHNICAL SUPPORT	44

BACKLINE ESPRESSIONE

Lavoce



WWW.LAVOCESPEAKERS.COM

Coming from the strong musical heritage of the beautiful Marche region in Italy and a life-long passion and dedication to music reproduction, audio quality and electroacoustic innovation, LAVOCE Italiana is naturally a company at the forefront of high performance LF and HF speaker design, manufacture and supply for live sound applications and backline stage equipment.

Since 2008, our team have been working closely with leading PA and MI brands to supply innovative speaker solutions for their products, making LAVOCE a first-class engineering partner for high-performance LF and HF speaker components used in musical instrument combos and cabinets. Drawing from this success and our extensive range of premium professional products, the selection in this catalogue has been compiled to inspire the engineers who passionately design combos and cabinets for bass guitar, electric guitar, acoustic guitar and keyboard applications, and excite the musicians and players who are simply looking to improve their performance and tone.

MUSIC IS OUR LIFE: SETTING THE TONE



With Potenza meaning Power and it being symbiotic with the location of our state-of-the-art R&D center at Elettromedia in Potenza Picena, Italy, we are proud to say that 100% of our products are designed and engineered here. Our Italian R&D team focus on innovation in every aspect and continuously push the boundaries of sound quality, product reliability and consistency, which is essential for products used for demanding live performances.

PURE POTENZA: ITALIAN ENGINEERING

Lavoce



WWW.LAVOCESPEAKERS.COM



Using the latest design validation tools, our team simulates specific aspects of loudspeaker design to within 5% of a physical prototype, and as an imperative part of the process, they carefully audition prototypes in order to identify nuances not caught by measurements and to fine tune the driver to precisely meet customer needs, technically and tonally. Trained LAVOCE engineers conduct these tests in a dedicated and controlled listening room equipped with custom calibrated instruments to ensure listening tests are consistent and repeatable.

MANUFACTURING EXCELLENCE: OUR PRODUCTION PLANT



Manufacturing a varied range of speakers in high volumes, our modern ISO9001 accredited LAVOCE production plant based near Shanghai is the efficient machine of our proposition and home to our production facility, operations teams, sampling department, testing area, quality control department and main warehouse. Speaker assembly takes place on production lines which have a carefully balanced mix of semi-automated machinery and manual operation, and all production lines are driven by carefully managed three-step pre-production and mass-production procedures to validate every single stage of the production process to ensure reliability and consistency second to none.



Music is our life and the passion behind every product we produce, so if you cannot find what you are looking for in this catalogue, please do not hesitate to contact our team to discuss your requirements.

**EXPRESSIVE SPEAKER SOLUTIONS
FOR BACKLINE PROJECTS**

Already established as a leading supplier of bass guitar speakers, widely respected for high-performance, consistency and reliability, our expertise in bass can be found in this carefully selected range of lightweight neodymium and ferrite magnet models. Each speaker has been optimized using FEM techniques and by auditioning each prototype until the target performance has been reached, to ensure it compliments the percussive nuances of every player and provides definition to their bass sound to cut through the mix. And with all models using high-temperature inside/outside wound voice coils and heavy-duty basket designs, LAVOCE Bass Guitar Speakers will not let you down.

WWW.LAVOCESPEAKERS.COM

THE GROOVE STARTS HERE

BASS GUITAR SPEAKERS

Model	Size in	Magnet	AES Power W	VC Ø In.	Nominal Impedance Ω	Sensitivity dB	Frequency range Hz	Acoustic	Bass	Electric	Keyboard
FBASS08-18	8	Ferrite	150	1.8	8	92,5	50 - 5000	■	■	-	-
NBASS08-20	8	Neo	200	2	8 / 2 / 32	92	55 - 4000	■	■	-	-
FBASS10-18	10	Ferrite	150	1.8	8	96	60 - 5000	-	■	-	■
NBASS10-20	10	Neo	150	2	8 / 16 / 32	95,5	50 - 3000	-	■	-	-
LBASS12-15	12	Ferrite	100	1.5	8	95,5	40 - 4000	-	■	-	-
FBASS12-20	12	Ferrite	200	2	8	97	50 - 3000	-	■	-	■
WSN122.50	12	Neo	250	2.5	8 / 16	97,5	50 - 3000	-	■	-	■
NBASS12-30	12	Neo	400	3	8 / 16	97,5	50 - 3000	-	■	-	-
LBASS15-15	15	Ferrite	100	1.5	8	96	35 - 4000	-	■	-	-
FBASS15-20	15	Ferrite	200	2	8	98	40 - 4000	-	■	-	■
WSN152.50	15	Neo	250	2.5	8	97,5	45 - 3000	-	■	-	■
NBASS15-30	15	Neo	400	3	8	98,5	40 - 4000	-	■	-	■
SSF153.00	15	Ferrite	400	3	8 / 4	98	45 - 2000	-	■	-	-
WAN153.00	15	Neo	500	3	8	98,5	45 - 3000	-	■	-	-



FERRITE MAGNET
STEEL BASKET
DRIVER



WWW.LAVOCESPEAKERS.COM

FBASS08-18

8" BASS GUITAR SPEAKER

Impeccably tuned frequency response producing a balanced low-end and smooth mid-band, with an optimized rubber surround and ferrite motor structure, FBASS08-18 was born for vented bass or acoustic applications.

150 W

1.8" VC

92,5 dB

50-5000 Hz

GENERAL SPECIFICATIONS

Nominal diameter	mm (in.)	250 (10)
Nominal impedance	Ω	8
Minimum impedance	Ω	6,2
Program power (1)	W	300
AES Power rating (2)	W	150
Sensitivity (3)	dB	92,5
Frequency range	Hz	50 ÷ 5000
Voice coil diameter	mm (in.)	45 (1.8)
Chassis material		Steel
Magnet material		Ferrite
Magnet dimensions OD x ID x h	mm (in.)	130 x 60 x 18 (5.12 x 2.36 x 0.71)
Coil material		Copper
Former material		Glass Fiber
Cone material		Water Resistant Treated Paper
Surround material		Rubber
Xmax (4)	mm (in.)	4,5 (0.18)
Xmech (5)	mm (in.)	7 (0.28)
Gap height	mm (in.)	6 (0.24)
Voice coil winding height	mm (in.)	12 (0.47)
Driver displacement volume	l (ft ³)	0,7 (0.02)
Recommended enclosure	l (ft ³)	21,6 (0.762)
Recommended tuning	Hz	63

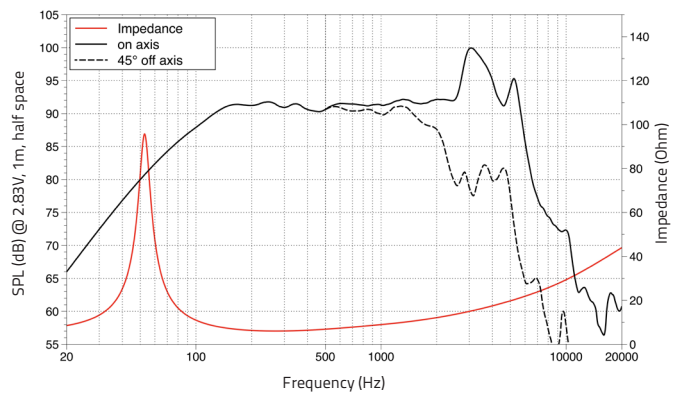
SMALL SIGNAL PARAMETERS

DC resistance	Re	Ohm	5,6
Resonance frequency	Fs	Hz	53
Moving mass	Mms	g (oz)	30,1 (1.06)
Compliance	Cms	mm/N	0,302
Force factor	BxL	N/A	11,42
Mechanical Q-factor	Qms		6,89
Electrical Q-factor	Qes		0,43
Total Q-factor	Qts		0,4
Equivalent air volume	Vas	l (ft ³)	23,64 (0.83)
Voice coil Inductance	Le	mH	0,59
Diaphragm area	Sd	cm ² (in. ²)	235,06 (36.4)
Reference efficiency	Eta 0	%	0,78
Efficiency bandwidth product	EBP	Hz	123

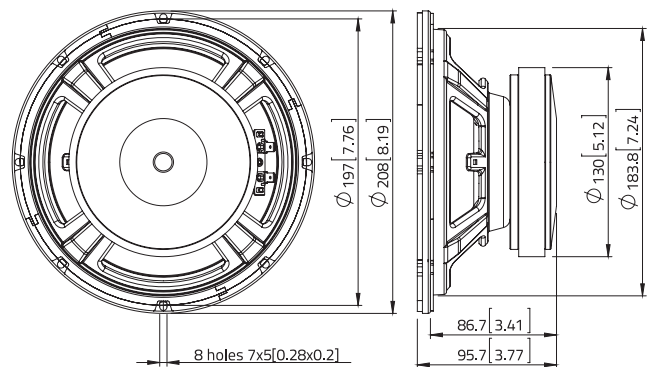
SHIPPING INFORMATION

Net weight	kg (lb.)	3 (6.6)
Multipack size (1) W x D x H	mm (in.)	260 x 260 x 137 (10.2 x 10.2 x 5.4)
Multipack weight	kg (lb.)	3,9 (8.7)

FREQUENCY RESPONSE AND IMPEDANCE



DIMENSIONS mm (in.)



(1) Program power is defined as 3 dB greater than AES Power. (2) Tested for two hours using a continuous, band-limited pink noise signal as per AES 2-1984 Rev. 2003. Loudspeaker tested in free air. (3) From T/S parameters, measured with Klippel DA LPM module. (4) The Xmax is calculated as: $(Hvc - Hg)/2 + Hg/4$. Hvc is the voice coil height and Hg the gap height. (5) The Xmech is calculated as: $(Hvc - Hg)/2 + (Hg - 2)$. Hvc is the voice coil height and Hg the gap height. (6) Thiele-Small parameters are measured after preconditioning: a) at 20°C - 22°C, 50% humidity for 2 hours; b) by Klippel LSI measurement.

All specifications subject to change without notice_E.a



NEODYMIUM MAGNET
STEEL BASKET
DRIVER

NBASS08-20

8" BASS GUITAR SPEAKER

Natural response, strong low-end and tight mid-highs, characterized by an optimized rubber surround and a responsive lightweight neo motor makes the NBASS08-20 the perfect tonal 8" solution.



WWW.LAVOCESPEAKERS.COM

200 W

2" VC

92 dB

55-4000 Hz

GENERAL SPECIFICATIONS

Nominal diameter	mm (in.)	200 (8)
Nominal impedance	Ω	8
Minimum impedance	Ω	6,1
Program power (1)	W	400
AES Power rating (2)	W	200
Sensitivity (3)	dB	92
Frequency range	Hz	55 ÷ 4000
Voice coil diameter	mm (in.)	51 (2)
Chassis material		Steel
Magnet material		Neodymium
Magnet dimensions	mm (in.)	50 x 9 (1.96 x 0.35)
Coil material		Copper
Former material		Glass Fiber
Cone material		Water Resistant Treated Paper
Surround material		Rubber
Xmax (4)	mm (in.)	6,5 (0.26)
Xmech (5)	mm (in.)	10,7 (0.42)
Gap height	mm (in.)	8,2 (0.32)
Voice coil winding height	mm (in.)	17,2 (0.68)
Driver displacement volume	l (ft ³)	0,5 (0.02)
Recommended enclosure	l (ft ³)	16,6 (.59)
Recommended tuning	Hz	70

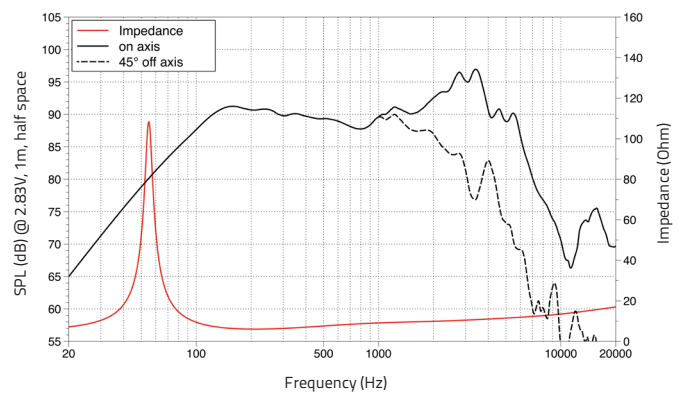
SMALL SIGNAL PARAMETERS

DC resistance	Re	Ohm	5,2
Resonance frequency	Fs	Hz	55
Moving mass	Mms	g (oz)	35,6 (1.26)
Compliance	Cms	mm/N	0,235
Force factor	BxL	N/A	11,33
Mechanical Q-factor	Qms		9,92
Electrical Q-factor	Qes		0,5
Total Q-factor	Qts		0,48
Equivalent air volume	Vas	l (ft ³)	18,4 (0.65)
Voice coil Inductance	Le	mH	0,11
Diaphragm area	Sd	cm ² (in. ²)	235,1 (36.4)
Reference efficiency	Eta 0	%	0,59
Efficiency bandwidth product	EBP	Hz	110

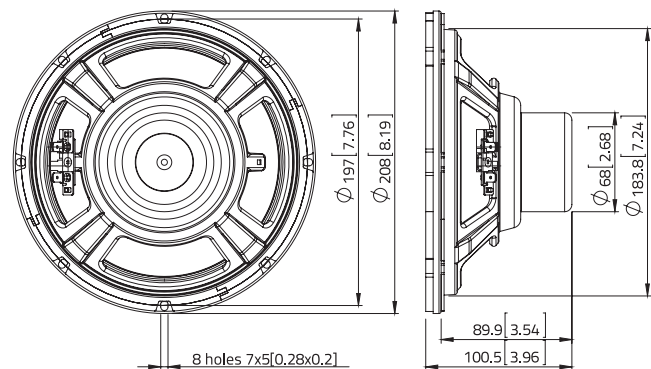
SHIPPING INFORMATION

Net weight	kg (lb.)	1,2 (2.6)
Multipack size (1)	mm (in.)	243 x 243 x 135 (9.6 x 9.6 x 5.3)
Multipack weight	kg (lb.)	1,7 (3.7)

FREQUENCY RESPONSE AND IMPEDANCE



DIMENSIONS mm (in.)



(1) Program power is defined as 3 dB greater than AES Power. (2) Tested for two hours using a continuous, band-limited pink noise signal as per AES 2-1984 Rev. 2003. Loudspeaker tested in free air. (3) From T/S parameters, measured with Klippel DA LPM module. (4) The Xmax is calculated as: $(Hvc - Hg)/2 + Hg/4$. Hvc is the voice coil height and Hg the gap height. (5) The Xmech is calculated as: $(Hvc - Hg)/2 + (Hg - 2)$. Hvc is the voice coil height and Hg the gap height. (6) Thiele-Small parameters are measured after preconditioning: a) at 20°C - 22°C, 50% humidity for 2 hours; b) by Klippel LSI measurement.

All specifications subject to change without notice_E.a



FERRITE MAGNET
STEEL BASKET
DRIVER



WWW.LAVOCESPEAKERS.COM

FBASS10-18

10" BASS GUITAR SPEAKER

The classic ferrite 10 inch speaker with a solid low-end, very smooth frequency response and a top-end which will blend perfectly with a bullet tweeter or other HF device.

150 W

1.8" VC

96 dB

60-5000 Hz

GENERAL SPECIFICATIONS

Nominal diameter	mm (in.)	250 (10)
Nominal impedance	Ω	8
Minimum impedance	Ω	6,3
Program power (1)	W	300
AES Power rating (2)	W	150
Sensitivity (3)	dB	96
Frequency range	Hz	60 ÷ 5000
Voice coil diameter	mm (in.)	45 (1.8)
Chassis material		Steel
Magnet material		Ferrite
Magnet dimensions OD x ID x h	mm (in.)	134 x 60 x 18 (5.28 x 2.36 x 0.71)
Coil material		Copper
Former material		Glass Fiber
Cone material		Water Resistant Treated Paper
Surround material		Polycotton
Xmax (4)	mm (in.)	4,5 (0.18)
Xmech (5)	mm (in.)	7 (0.28)
Gap height	mm (in.)	6 (0.24)
Voice coil winding height	mm (in.)	12 (0.47)
Driver displacement volume	l (ft ³)	1 (0.04)
Recommended enclosure	l (ft ³)	32,9 (1.16)
Recommended tuning	Hz	70

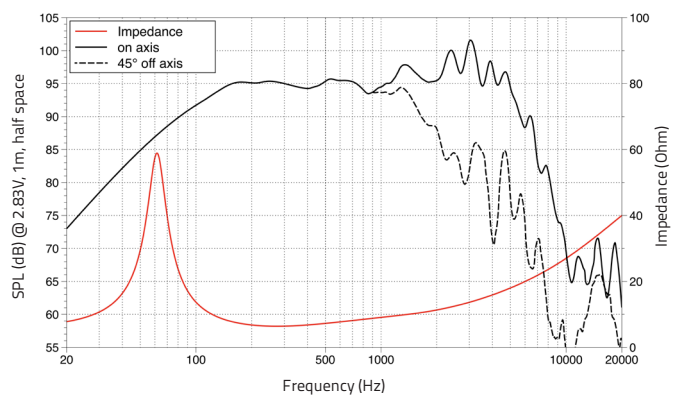
SMALL SIGNAL PARAMETERS

DC resistance	Re	Ohm	5,6
Resonance frequency	Fs	Hz	65
Moving mass	Mms	g (oz)	32,18 (1.14)
Compliance	Cms	mm/N	0,184
Force factor	BxL	N/A	12,48
Mechanical Q-factor	Qms		4,84
Electrical Q-factor	Qes		0,48
Total Q-factor	Qts		0,43
Equivalent air volume	Vas	l (ft ³)	32,4 (1.14)
Voice coil Inductance	Le	mH	0,49
Diaphragm area	Sd	cm ² (in. ²)	353 (54.7)
Reference efficiency	Eta 0	%	1,83
Efficiency bandwidth product	EBP	Hz	135

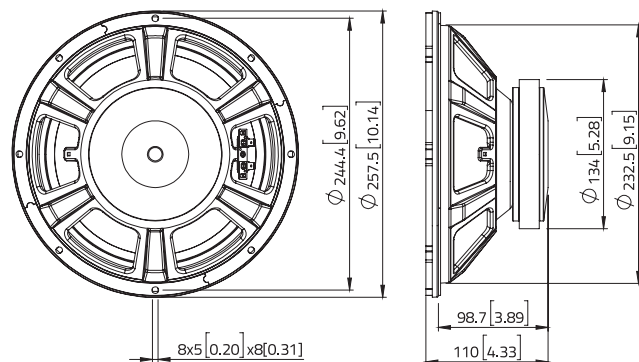
SHIPPING INFORMATION

Net weight	kg (lb.)	2,7 (5.9)
Multipack size (1) W x D x H	mm (in.)	300 x 300 x 148 (11.8 x 11.8 x 5.8)
Multipack weight	kg (lb.)	3,7 (8)

FREQUENCY RESPONSE AND IMPEDANCE



DIMENSIONS mm (in.)



(1) Program power is defined as 3 dB greater than AES Power. (2) Tested for two hours using a continuous, band-limited pink noise signal as per AES 2-1984 Rev. 2003. Loudspeaker tested in free air. (3) From T/S parameters, measured with Klippel DA LPM module. (4) The Xmax is calculated as: $(Hvc - Hg)/2 + Hg/4$. Hvc is the voice coil height and Hg the gap height. (5) The Xmech is calculated as: $(Hvc - Hg)/2 + (Hg - 2)$. Hvc is the voice coil height and Hg the gap height. (6) Thiele-Small parameters are measured after preconditioning: a) at 20°C - 22°C, 50% humidity for 2 hours; b) by Klippel LSI measurement.

All specifications subject to change without notice_E.a



NEODYMIUM MAGNET
STEEL BASKET DRIVER



WWW.LAVOCESPEAKERS.COM

NBASS10-20

10" BASS GUITAR SPEAKER

NBASS10-20 is a super lightweight neodymium 10 inch design made specifically for bass guitar cabinets or combos; Robust bass extension and finely tuned mid-band, its definition is clear through any mix.

150 W

2" VC

95,5 dB

50-3000 Hz

GENERAL SPECIFICATIONS

Nominal diameter	mm (in.)	250 (10)
Nominal impedance	Ω	8
Minimum impedance	Ω	5,9
Program power (1)	W	300
AES Power rating (2)	W	150
Sensitivity (3)	dB	95,5
Frequency range	Hz	50 ÷ 3000
Voice coil diameter	mm (in.)	51 (2)
Chassis material		Steel
Magnet material		Neodymium
Magnet dimensions	mm (in.)	51 x 9 (2.01 x 0.35)
Coil material		Copper
Former material		Glass Fiber
Cone material		Water Resistant Treated Paper
Surround material		Polycotton
Xmax (4)	mm (in.)	6,6 (0.26)
Xmech (5)	mm (in.)	10,7 (0.42)
Gap height	mm (in.)	8,2 (0.32)
Voice coil winding height	mm (in.)	17,2 (0.68)
Driver displacement volume	l (ft ³)	0,9 (0.03)
Recommended enclosure	l (ft ³)	29,5 (1.04)
Recommended tuning	Hz	60

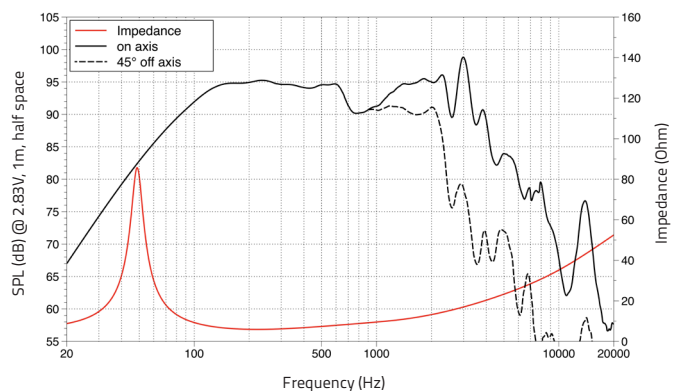
SMALL SIGNAL PARAMETERS

DC resistance	Re	Ohm	5,2
Resonance frequency	Fs	Hz	53
Moving mass	Mms	g (oz)	35,71 (1.26)
Compliance	Cms	mm/N	0,248
Force factor	BxL	N/A	11,89
Mechanical Q-factor	Qms		4,47
Electrical Q-factor	Qes		0,44
Total Q-factor	Qts		0,40
Equivalent air volume	Vas	l (ft ³)	43,67 (1.54)
Voice coil Inductance	Le	mH	0,72
Diaphragm area	Sd	cm ² (in. ²)	353 (54.7)
Reference efficiency	Eta 0	%	1,45
Efficiency bandwidth product	EBP	Hz	120

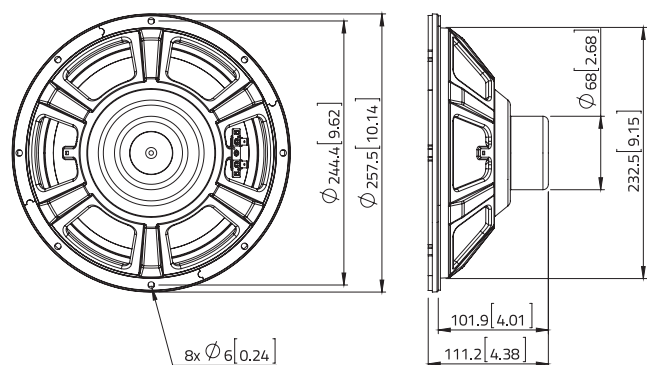
SHIPPING INFORMATION

Net weight	kg (lb.)	1,3 (2.9)
Multipack size (1)	mm (in.)	300 x 300 x 148 (11.8 x 11.8 x 5.8)
Multipack weight	kg (lb.)	2,3 (5)

FREQUENCY RESPONSE AND IMPEDANCE



DIMENSIONS mm (in.)



(1) Program power is defined as 3 dB greater than AES Power. (2) Tested for two hours using a continuous, band-limited pink noise signal as per AES 2-1984 Rev. 2003. Loudspeaker tested in free air. (3) From T/S parameters, measured with Klippel DA LPM module. (4) The Xmax is calculated as: $(Hvc - Hg)/2 + Hg/4$. Hvc is the voice coil height and Hg the gap height. (5) The Xmech is calculated as: $(Hvc - Hg)/2 + (Hg - 2)$. Hvc is the voice coil height and Hg the gap height. (6) Thiele-Small parameters are measured after preconditioning: a) at 20°C - 22°C, 50% humidity for 2 hours; b) by Klippel LSI measurement.

All specifications subject to change without notice_E.a

LBASS12-15

12" BASS GUITAR SPEAKER

LBASS12-15 is a great partner for cost-effective bass combos or cabinets, delivering good efficiency and a wide frequency response, with an overall balanced and rich tone.

100 W 1.5" VC 95,5 dB 40-4000 Hz

GENERAL SPECIFICATIONS

Nominal diameter	mm (in.)	300 (12)
Nominal impedance	Ω	8
Minimum impedance	Ω	5,9
Program power (1)	W	200
AES Power rating (2)	W	100
Sensitivity (3)	dB	95,5
Frequency range	Hz	40 ÷ 4000
Voice coil diameter	mm (in.)	38 (1.5)
Chassis material		Steel
Magnet material		Ferrite
Magnet dimensions OD x ID x h	mm (in.)	110 x 45 x 17 (4.33 x 1.77 x 0.67)
Coil material		Copper
Former material		Glass Fiber
Cone material		Water Resistant Treated Paper
Surround material		Polycotton
Xmax (4)	mm (in.)	4,7 (0.19)
Xmech (5)	mm (in.)	8,7 (0.34)
Gap height	mm (in.)	8 (0.31)
Voice coil winding height	mm (in.)	13,3 (0.52)
Driver displacement volume	l (ft ³)	1,7 (0.06)
Recommended enclosure	l (ft ³)	40,9 (1.44)
Recommended tuning	Hz	50

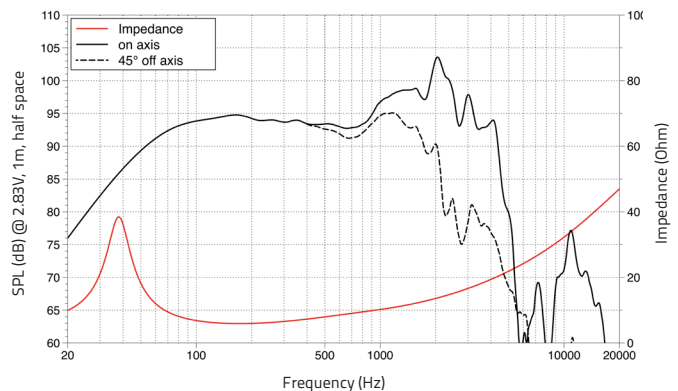
SMALL SIGNAL PARAMETERS

DC resistance	Re	Ohm	5,4
Resonance frequency	Fs	Hz	38
Moving mass	Mms	g (oz)	44,3 (1.56)
Compliance	Cms	mm/N	0,400
Force factor	BxL	N/A	10,08
Mechanical Q-factor	Qms		3,43
Electrical Q-factor	Qes		0,56
Total Q-factor	Qts		0,48
Equivalent air volume	Vas	l (ft ³)	160,93 (5.68)
Voice coil Inductance	Le	mH	0,7
Diaphragm area	Sd	cm ² (in. ²)	535,02 (82.9)
Reference efficiency	Eta 0	%	1,50
Efficiency bandwidth product	EBP	Hz	68

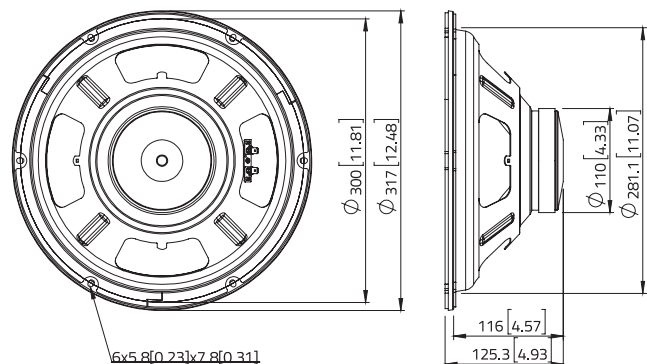
SHIPPING INFORMATION

Net weight	kg (lb.)	2,4 (5.2)
Multipack size (1)	mm (in.)	356 x 356 x 162 (14 x 14 x 6.4)
Multipack weight	kg (lb.)	3,5 (7.7)

FREQUENCY RESPONSE AND IMPEDANCE



DIMENSIONS mm (in.)



(1) Program power is defined as 3 dB greater than AES Power. (2) Tested for two hours using a continuous, band-limited pink noise signal as per AES 2-1984 Rev. 2003. Loudspeaker tested in free air. (3) From T/S parameters, measured with Klippel DA LPM module. (4) The Xmax is calculated as: $(Hvc - Hg)/2 + Hg/4$. Hvc is the voice coil height and Hg the gap height. (5) The Xmech is calculated as: $(Hvc - Hg)/2 + (Hg - 2)$. Hvc is the voice coil height and Hg the gap height. (6) Thiele-Small parameters are measured after preconditioning: a) at 20°C - 22°C, 50% humidity for 2 hours; b) by Klippel LSI measurement.

All specifications subject to change without notice_E.a



FBASS12-20

12" BASS GUITAR SPEAKER

A finely tuned 200W design with a prominent top-end and a driving bass tone, FBASS12-20 has the efficiency and presence required for projecting backline performances.

200 W **2" VC** **97 dB** **50-3000 Hz**

FERRITE MAGNET
STEEL BASKET
DRIVER

BASS

KEYBOARD

WWW.LAVOCESPEAKERS.COM

GENERAL SPECIFICATIONS

Nominal diameter	mm (in.)	300 (12)
Nominal impedance	Ω	8
Minimum impedance	Ω	6
Program power (1)	W	400
AES Power rating (2)	W	200
Sensitivity (3)	dB	97
Frequency range	Hz	50 ÷ 3000
Voice coil diameter	mm (in.)	51 (2)
Chassis material		Steel
Magnet material		Ferrite
Magnet dimensions OD x ID x h	mm (in.)	145 x 60 x 17 (5.71 x 2.36 x 0.67)
Coil material		Copper
Former material		Glass Fiber
Cone material		Water Resistant Treated Paper
Surround material		Polycotton
Xmax (4)	mm (in.)	4,3 (0.17)
Xmech (5)	mm (in.)	8,4 (0.33)
Gap height	mm (in.)	8,2 (0.32)
Voice coil winding height	mm (in.)	12,6 (0.5)
Driver displacement volume	l (ft ³)	1,9 (0.07)
Recommended enclosure	l (ft ³)	41,7 (1.47)
Recommended tuning	Hz	55

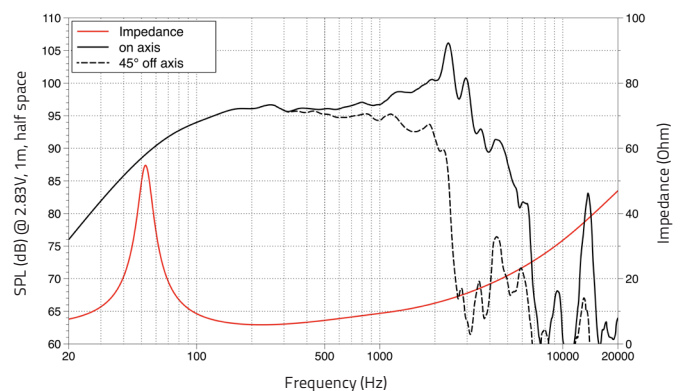
SMALL SIGNAL PARAMETERS

DC resistance	Re	Ohm	5,3
Resonance frequency	Fs	Hz	53
Moving mass	Mms	g (oz)	50,73 (1.79)
Compliance	Cms	mm/N	0,181
Force factor	BxL	N/A	13,26
Mechanical Q-factor	Qms		4,71
Electrical Q-factor	Qes		0,51
Total Q-factor	Qts		0,46
Equivalent air volume	Vas	l (ft ³)	75,41 (2.66)
Voice coil Inductance	Le	mH	0,6
Diaphragm area	Sd	cm ² (in. ²)	543,25 (84.2)
Reference efficiency	Eta 0	%	2,09
Efficiency bandwidth product	EBP	Hz	104

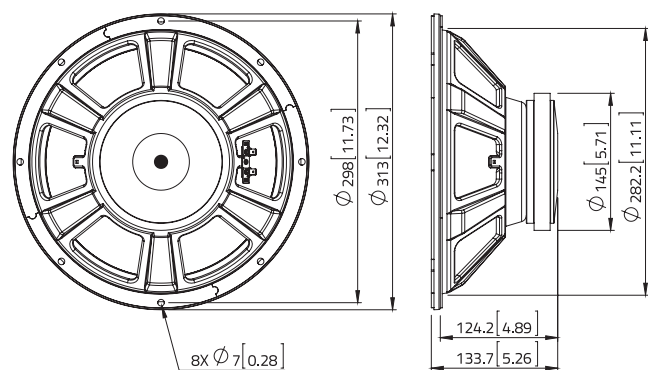
SHIPPING INFORMATION

Net weight	kg (lb.)	3,6 (8)
Multipack size (1) W x D x H	mm (in.)	356 x 356 x 173 (14 x 14 x 6.8)
Multipack weight	kg (lb.)	4,8 (10.5)

FREQUENCY RESPONSE AND IMPEDANCE



DIMENSIONS mm (in.)



(1) Program power is defined as 3 dB greater than AES Power. (2) Tested for two hours using a continuous, band-limited pink noise signal as per AES 2-1984 Rev. 2003. Loudspeaker tested in free air. (3) From T/S parameters, measured with Klippel DA LPM module. (4) The Xmax is calculated as: $(Hvc - Hg)/2 + Hg/4$. Hvc is the voice coil height and Hg the gap height. (5) The Xmech is calculated as: $(Hvc - Hg)/2 + (Hg - 2)$. Hvc is the voice coil height and Hg the gap height. (6) Thiele-Small parameters are measured after preconditioning: a) at 20°C - 22°C, 50% humidity for 2 hours; b) by Klippel LSI measurement.

All specifications subject to change without notice_E.a



NEODYMIUM
MAGNET
STEEL BASKET
DRIVER

BASS

KEYBOARD

WWW.LAVOCESPEAKERS.COM

WSN122.50

12" BASS GUITAR SPEAKER

WSN122.50 is a very lightweight 250W 12inch with an attractive linear frequency response and high efficiency to produce the punch and clarity required for premium bass or keyboard projects.

250 W

2.5" VC

97,5 dB

50-3000 Hz

GENERAL SPECIFICATIONS

Nominal diameter	mm (in.)	300 (12)
Nominal impedance	Ω	8
Minimum impedance	Ω	6,3
Program power (1)	W	500
AES Power rating (2)	W	250
Sensitivity (3)	dB	97,5
Frequency range	Hz	50 ÷ 3000
Voice coil diameter	mm (in.)	65 (2.5)
Chassis material		Steel
Magnet material		Neodymium
Magnet dimensions	mm (in.)	64 x 8 (2.52 x 0.31)
Coil material		Copper
Former material		Glass Fiber
Cone material		Water Resistant Treated Paper + Water Proof Front Side Treatment
Surround material		Polycotton
Xmax (4)	mm (in.)	4,7 (0.19)
Xmech (5)	mm (in.)	8,8 (0.35)
Gap height	mm (in.)	8,2 (0.32)
Voice coil winding height	mm (in.)	13,4 (0.53)
Driver displacement volume	l (ft ³)	1,6 (0.06)
Recommended enclosure	l (ft ³)	39,6 (1.4)
Recommended tuning	Hz	55

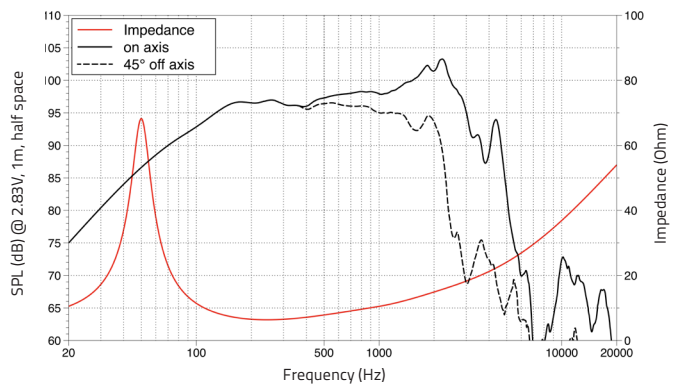
SMALL SIGNAL PARAMETERS

DC resistance	Re	Ohm	5,7
Resonance frequency	Fs	Hz	53
Moving mass	Mms	g (oz)	52,3 (1,84)
Compliance	Cms	mm/N	0,174
Force factor	BxL	N/A	15,85
Mechanical Q-factor	Qms		4,31
Electrical Q-factor	Qes		0,39
Total Q-factor	Qts		0,36
Equivalent air volume	Vas	l (ft ³)	69,44 (2,45)
Voice coil Inductance	Le	mH	0,77
Diaphragm area	Sd	cm ² (in. ²)	531 (82,3)
Reference efficiency	Eta 0	%	2,49
Efficiency bandwidth product	EBP	Hz	136

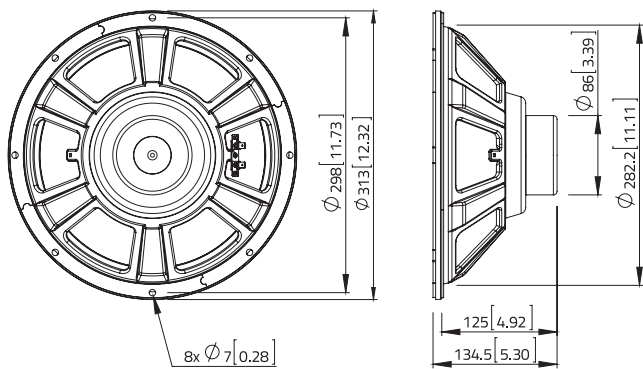
SHIPPING INFORMATION

Net weight	kg (lb.)	2,1 (4.6)
Multipack size (1)	mm (in.)	360 x 360 x 175 (14.2 x 14.2 x 6.9)
Multipack weight	kg (lb.)	3,5 (7.7)

FREQUENCY RESPONSE AND IMPEDANCE



DIMENSIONS mm (in.)



(1) Program power is defined as 3 dB greater than AES Power. (2) Tested for two hours using a continuous, band-limited pink noise signal as per AES 2-1984 Rev. 2003. Loudspeaker tested in free air. (3) From T/S parameters, measured with Klippel DA LPM module. (4) The Xmax is calculated as: $(Hvc - Hg)/2 + Hg/4$. Hvc is the voice coil height and Hg the gap height. (5) The Xmech is calculated as: $(Hvc - Hg)/2 + (Hg - 2)$. Hvc is the voice coil height and Hg the gap height. (6) Thiele-Small parameters are measured after preconditioning: a) at 20°C - 22°C, 50% humidity for 2 hours; b) by Klippel LSI measurement.

All specifications subject to change without notice_H.a



NEODYMIUM MAGNET
STEEL BASKET DRIVER

NBASS12-30

12" BASS GUITAR SPEAKER

400W of pure bass tonality; lightweight neo motor, super flat response shape to 3kHz and an optimized resonance ensure the low-end and mid-high partnership of NBASS12-30 impresses every time.

400 W **3" VC** **97,5 dB** **50-3000 Hz**

WWW.LAVOCESPEAKERS.COM

GENERAL SPECIFICATIONS

Nominal diameter	mm (in.)	300 (12)
Nominal impedance	Ω	8
Minimum impedance	Ω	6,2
Program power (1)	W	800
AES Power rating (2)	W	400
Sensitivity (3)	dB	97,5
Frequency range	Hz	50 ÷ 3000
Voice coil diameter	mm (in.)	75 (3)
Chassis material		Steel
Magnet material		Neodymium
Magnet dimensions	mm (in.)	74 x 9 (2.91 x 0.35)
Coil material		Copper
Former material		Glass Fiber
Cone material		Water Resistant Treated Paper
Surround material		Polycotton
Xmax (4)	mm (in.)	4 (0.16)
Xmech (5)	mm (in.)	12,5 (0.49)
Gap height	mm (in.)	10,5 (0.41)
Voice coil winding height	mm (in.)	18,5 (0.73)
Driver displacement volume	l (ft ³)	2,1 (0.07)
Recommended enclosure	l (ft ³)	47,5 (1.68)
Recommended tuning	Hz	55

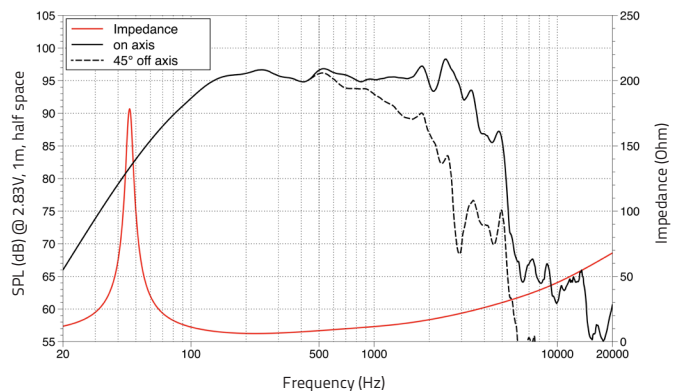
SMALL SIGNAL PARAMETERS

DC resistance	Re	Ohm	5,4
Resonance frequency	Fs	Hz	46
Moving mass	Mms	g (oz)	68,7 (2.42)
Compliance	Cms	mm/N	0,173
Force factor	BxL	N/A	19,15
Mechanical Q-factor	Qms		9,49
Electrical Q-factor	Qes		0,29
Total Q-factor	Qts		0,28
Equivalent air volume	Vas	l (ft ³)	68,86 (2.43)
Voice coil Inductance	Le	mH	1,00
Diaphragm area	Sd	cm ² (in. ²)	530,9 (82.3)
Reference efficiency	Eta 0	%	2,24
Efficiency bandwidth product	EBP	Hz	159

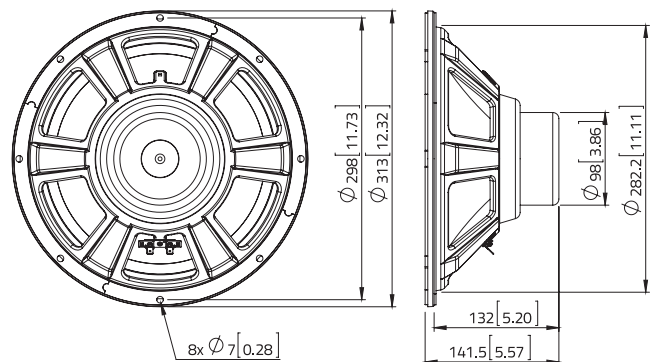
SHIPPING INFORMATION

Net weight	kg (lb.)	2,9 (6.5)
Multipack size (1)	mm (in.)	356 x 256 x 173 (14 x 14 x 6.8)
Multipack weight	kg (lb.)	4,3 (9.4)

FREQUENCY RESPONSE AND IMPEDANCE



DIMENSIONS mm (in.)



(1) Program power is defined as 3 dB greater than AES Power. (2) Tested for two hours using a continuous, band-limited pink noise signal as per AES 2-1984 Rev. 2003. Loudspeaker tested in free air. (3) From T/S parameters, measured with Klippel DA LPM module. (4) The Xmax is calculated as: (Hvc - Hg)/2+ Hg/4. Hvc is the voice coil height and Hg the gap height. (5) The Xmech is calculated as: (Hvc - Hg)/2 +(Hg-2). Hvc is the voice coil height and Hg the gap height. (6) Thiele-Small parameters are measured after preconditioning: a) at 20°C- 22°C, 50% humidity for 2 hours; b) by Klippel LSI measurement.

All specifications subject to change without notice_E.a



FERRITE MAGNET
STEEL BASKET DRIVER



WWW.LAVOCESPEAKERS.COM

LBASS15-15

15" BASS GUITAR SPEAKER

Perfect for a bass practice amp, LBASS15-15 uses a triple roll surround and an optimized compact ferrite motor structure to deliver good efficiency and a wide frequency response.

100 W

1.5" VC

96 dB

35-4000 Hz

GENERAL SPECIFICATIONS

Nominal diameter	mm (in.)	380 (15)
Nominal impedance	Ω	8
Minimum impedance	Ω	5,9
Program power (1)	W	200
AES Power rating (2)	W	100
Sensitivity (3)	dB	96
Frequency range	Hz	35 ÷ 4000
Voice coil diameter	mm (in.)	38 (1.5)
Chassis material		Steel
Magnet material		Ferrite
Magnet dimensions	mm (in.)	110 x 45 x 17 (4.33 x 1.77 x 0.67)
Coil material		Copper
Former material		Glass fiber
Cone material		Water Resistant Treated Paper
Surround material		Polycotton
Xmax (4)	mm (in.)	4,7 (0.19)
Xmech (5)	mm (in.)	8,7 (0.34)
Gap height	mm (in.)	8 (0.31)
Voice coil winding height	mm (in.)	13,3 (0.52)
Driver displacement volume	l (ft ³)	3,3 (0.12)
Recommended enclosure	l (ft ³)	85 (3.00)
Recommended tuning	Hz	Sealed

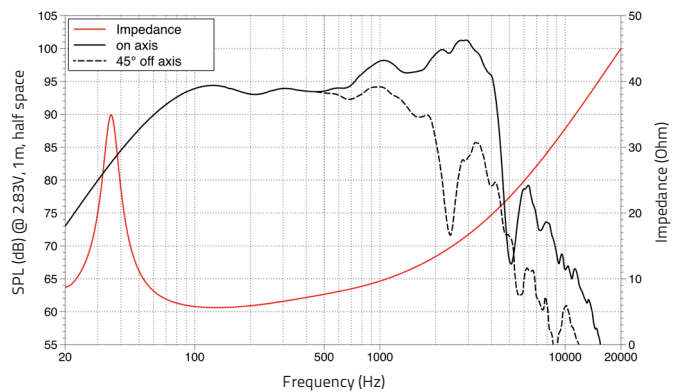
SMALL SIGNAL PARAMETERS

DC resistance	Re	Ohm	5,6
Resonance frequency	Fs	Hz	37
Moving mass	Mms	g (oz)	66,8 (2.36)
Compliance	Cms	mm/N	0,275
Force factor	BxL	N/A	9,89
Mechanical Q-factor	Qms		4,72
Electrical Q-factor	Qes		0,88
Total Q-factor	Qts		0,74
Equivalent air volume	Vas	l (ft ³)	284,84 (10.06)
Voice coil Inductance	Le	mH	0,88
Diaphragm area	Sd	cm ² (in. ²)	854,8 (132.5)
Reference efficiency	Eta 0	%	1,58
Efficiency bandwidth product	EBP	Hz	42

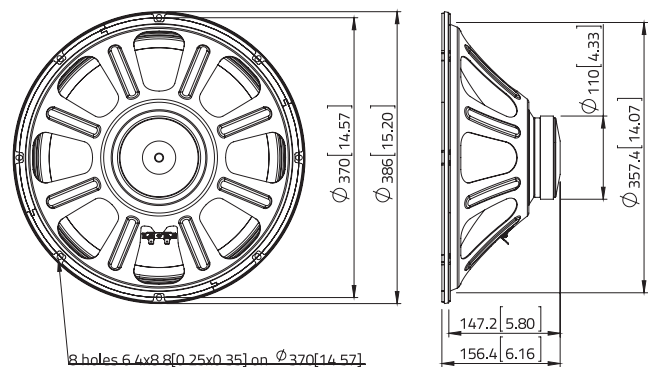
SHIPPING INFORMATION

Net weight	kg (lb.)	2,7 (6.1)
Multipack size (1)	mm (in.)	438 x 438 x 204 (17.2 x 17.2 x 8)
Multipack weight	kg (lb.)	4,1 (9.1)

FREQUENCY RESPONSE AND IMPEDANCE



DIMENSIONS mm (in.)



(1) Program power is defined as 3 dB greater than AES Power. (2) Tested for two hours using a continuous, band-limited pink noise signal as per AES 2-1984 Rev. 2003. Loudspeaker tested in free air. (3) From T/S parameters, measured with Klippel DA LPM module. (4) The Xmax is calculated as: $(Hvc - Hg)/2 + Hg/4$. Hvc is the voice coil height and Hg the gap height. (5) The Xmech is calculated as: $(Hvc - Hg)/2 + (Hg - 2)$. Hvc is the voice coil height and Hg the gap height. (6) Thiele-Small parameters are measured after preconditioning: a) at 20°C - 22°C, 50% humidity for 2 hours; b) by Klippel LSI measurement.

All specifications subject to change without notice_E.a

FBASS15-20

15" BASS GUITAR SPEAKER

FBASS15-20 is a classic ferrite 15" for combos, with enough power handling and efficiency to deliver a smooth top-end, and a triple roll surround to support the commanding low-end response it delivers.

200 W 2" VC 98 dB 40-4000 Hz

GENERAL SPECIFICATIONS

Nominal diameter	mm (in.)	380 (15)
Nominal impedance	Ω	8
Minimum impedance	Ω	5,9
Program power (1)	W	400
AES Power rating (2)	W	200
Sensitivity (3)	dB	98
Frequency range	Hz	40 ÷ 4000
Voice coil diameter	mm (in.)	50 (2)
Chassis material		Steel
Magnet material		Ferrite
Magnet dimensions	mm (in.)	140 x 60 x 17 (5.51 x 2.36 x 0.67)
Coil material		Copper
Former material		Glass fiber
Cone material		Water Resistant Treated Paper
Surround material		Polycotton
Xmax (4)	mm (in.)	4,3 (0.17)
Xmech (5)	mm (in.)	8,4 (0.33)
Gap height	mm (in.)	8,2 (0.32)
Voice coil winding height	mm (in.)	12,6 (0.5)
Driver displacement volume	l (ft ³)	3 (0.1)
Recommended enclosure	l (ft ³)	84,4 (2.98)
Recommended tuning	Hz	50

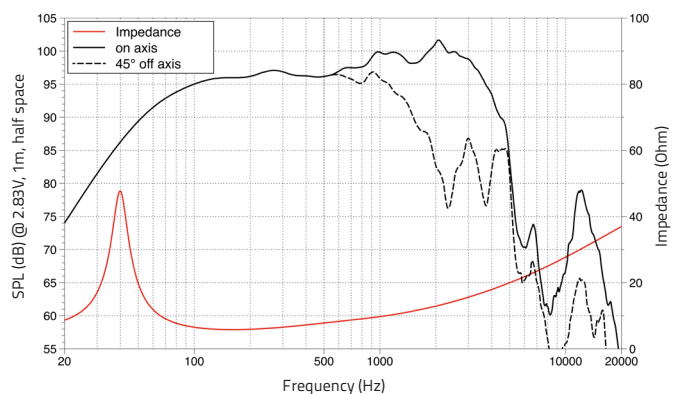
SMALL SIGNAL PARAMETERS

DC resistance	Re	Ohm	5,2
Resonance frequency	Fs	Hz	40
Moving mass	Mms	g (oz)	70,34 (2.48)
Compliance	Cms	mm/N	0,23
Force factor	BxL	N/A	12,78
Mechanical Q-factor	Qms		8,71
Electrical Q-factor	Qes		0,57
Total Q-factor	Qts		0,53
Equivalent air volume	Vas	l (ft ³)	234,41 (8.28)
Voice coil Inductance	Le	mH	0,69
Diaphragm area	Sd	cm ² (in. ²)	855 (132.5)
Reference efficiency	Eta 0	%	2,52
Efficiency bandwidth product	EBP	Hz	70

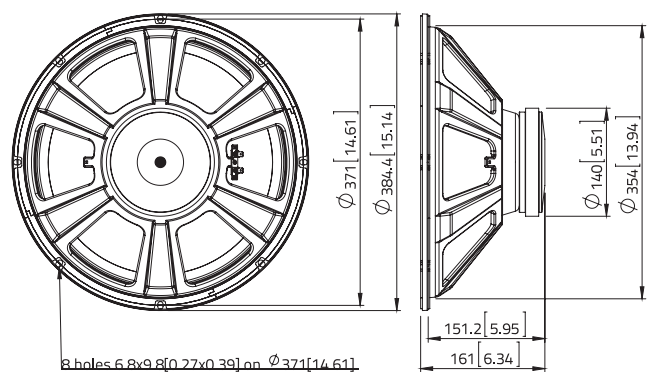
SHIPPING INFORMATION

Net weight	kg (lb.)	4,1 (9.1)
Multipack size (1)	mm (in.)	438 x 438 x 204 (17.2 x 17.2 x 8)
Multipack weight	kg (lb.)	6,2 (13.6)

FREQUENCY RESPONSE AND IMPEDANCE



DIMENSIONS mm (in.)



(1) Program power is defined as 3 dB greater than AES Power. (2) Tested for two hours using a continuous, band-limited pink noise signal as per AES 2-1984 Rev. 2003. Loudspeaker tested in free air. (3) From T/S parameters, measured with Klippel DA LPM module. (4) The Xmax is calculated as: $(Hvc - Hg)/2 + Hg/4$. Hvc is the voice coil height and Hg the gap height. (5) The Xmech is calculated as: $(Hvc - Hg)/2 + (Hg - 2)$. Hvc is the voice coil height and Hg the gap height. (6) Thiele-Small parameters are measured after preconditioning: a) at 20°C - 22°C, 50% humidity for 2 hours; b) by Klippel LSI measurement.

All specifications subject to change without notice_E.a

WSN152.50

15" BASS GUITAR SPEAKER

With an optimized neo motor and triple roll surround, our 250W WSN152.50 delivers a responsive low-end with a clear top-end snap for bass guitar, all in a very lightweight package.



NEODYMIUM
MAGNET
STEEL BASKET
DRIVER

BASS

KEYBOARD

WWW.LAVOCESPEAKERS.COM

250 W

2.5" VC

97,5 dB

45-3000 Hz

GENERAL SPECIFICATIONS

Nominal diameter	mm (in.)	380 (15)
Nominal impedance	Ω	8
Minimum impedance	Ω	6,2
Program power (1)	W	500
AES Power rating (2)	W	250
Sensitivity (3)	dB	97,5
Frequency range	Hz	45 ÷ 3000
Voice coil diameter	mm (in.)	65 (2.5)
Chassis material		Steel
Magnet material		Neodymium
Magnet dimensions	mm (in.)	64 x 8 (2.52 x 0.31)
Coil material		Copper
Former material		Glass Fiber
Cone material		Water Resistant Treated Paper + Water Proof Front Side Treatment
Surround material		Polycotton
Xmax (4)	mm (in.)	4,7 (0.19)
Xmech (5)	mm (in.)	8,8 (0.35)
Gap height	mm (in.)	8,2 (0.32)
Voice coil winding height	mm (in.)	13,4 (0.53)
Driver displacement volume	l (ft ³)	3,3 (0.12)
Recommended enclosure	l (ft ³)	100,8 (3.56)
Recommended tuning	Hz	50

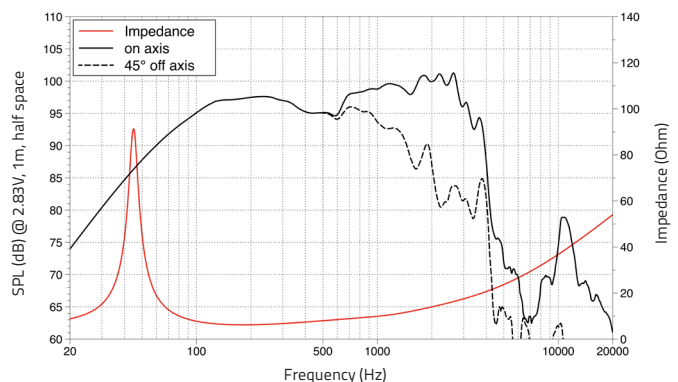
SMALL SIGNAL PARAMETERS

DC resistance	Re	Ohm	5,6
Resonance frequency	Fs	Hz	43
Moving mass	Mms	g (oz)	90,5 (3.19)
Compliance	Cms	mm/N	0,155
Force factor	BxL	N/A	16,24
Mechanical Q-factor	Qms		10,22
Electrical Q-factor	Qes		0,52
Total Q-factor	Qts		0,49
Equivalent air volume	Vas	l (ft ³)	159,9 (5.65)
Voice coil Inductance	Le	mH	0,773
Diaphragm area	Sd	cm ² (in. ²)	855 (132.5)
Reference efficiency	Eta 0	%	2,30
Efficiency bandwidth product	EBP	Hz	83

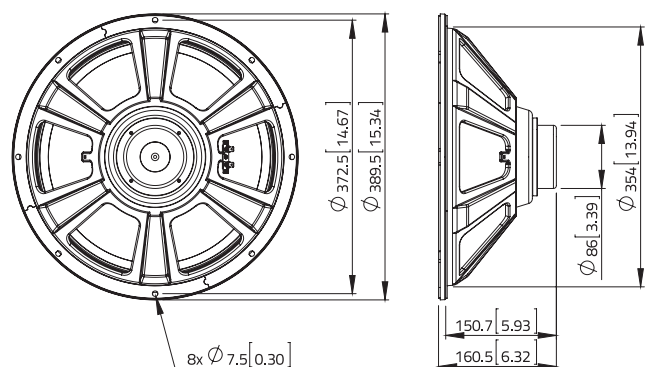
SHIPPING INFORMATION

Net weight	kg (lb.)	2,6 (5.6)
Multipack size (1)	mm (in.)	445 x 445 x 205 (17.5 x 17.5 x 8)
Multipack weight	kg (lb.)	5 (11)

FREQUENCY RESPONSE AND IMPEDANCE



DIMENSIONS mm (in.)



(1) Program power is defined as 3 dB greater than AES Power. (2) Tested for two hours using a continuous, band-limited pink noise signal as per AES 2-1984 Rev. 2003. Loudspeaker tested in free air. (3) From T/S parameters, measured with Klippel DA LPM module. (4) The Xmax is calculated as: $(Hvc - Hg)/2 + Hg/4$. Hvc is the voice coil height and Hg the gap height. (5) The Xmech is calculated as: $(Hvc - Hg)/2 + (Hg - 2)$. Hvc is the voice coil height and Hg the gap height. (6) Thiele-Small parameters are measured after preconditioning: a) at 20°C - 22°C, 50% humidity for 2 hours; b) by Klippel LSI measurement.

All specifications subject to change without notice_H.4

NBASS15-30

15" BASS GUITAR WOOFER

Very flat frequency response and super lightweight, with a 400W rating and great efficiency makes NBASS15-30 a stand alone powerhouse for high power combos or micro amps.



NEODYMIUM
MAGNET
STEEL BASKET
DRIVER

BASS

KEYBOARD

WWW.LAVOCESPEAKERS.COM

400 W

3" VC

98,5 dB

40-4000 Hz

GENERAL SPECIFICATIONS

Nominal diameter	mm (in.)	380 (15)
Nominal impedance	Ω	8
Minimum impedance	Ω	5,8
Program power (1)	W	800
AES Power rating (2)	W	400
Sensitivity (3)	dB	98,5
Frequency range	Hz	40 ÷ 4000
Voice coil diameter	mm (in.)	75 (3)
Chassis material		Steel
Magnet material		Neodymium
Magnet dimensions OD x ID x h	mm (in.)	74 x 9 (2.91 x 0.35)
Coil material		Copper
Former material		Glass fiber
Cone material		Water Resistant Treated Paper
Surround material		Polycotton
Xmax (4)	mm (in.)	6,6 (0.26)
Xmech (5)	mm (in.)	12,5 (0.49)
Gap height	mm (in.)	10,5 (0.41)
Voice coil winding height	mm (in.)	18,6 (0.73)
Driver displacement volume	l (ft ³)	3,2 (0.11)
Recommended enclosure	l (ft ³)	87 (3.07)
Recommended tuning	Hz	45

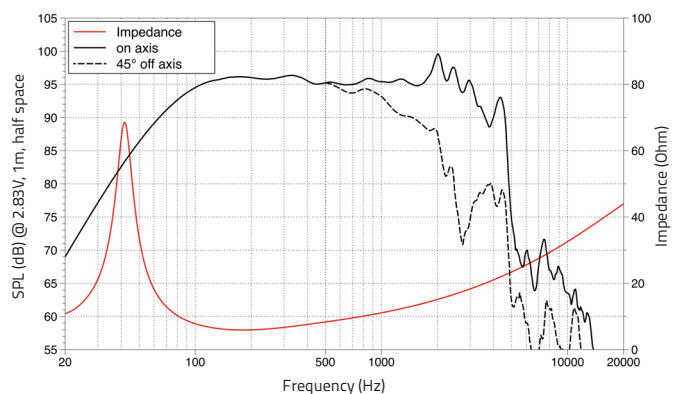
SMALL SIGNAL PARAMETERS

DC resistance	Re	Ohm	5,1
Resonance frequency	Fs	Hz	42
Moving mass	Mms	g (oz)	102,1 (3.6)
Compliance	Cms	mm/N	0,138
Force factor	BxL	N/A	19,2
Mechanical Q-factor	Qms		8,56
Electrical Q-factor	Qes		0,38
Total Q-factor	Qts		0,36
Equivalent air volume	Vas	l (ft ³)	143,06 (5.05)
Voice coil Inductance	Le	mH	1,05
Diaphragm area	Sd	cm ² (in. ²)	855 (132.5)
Reference efficiency	Eta 0	%	2,79
Efficiency bandwidth product	EBP	Hz	111

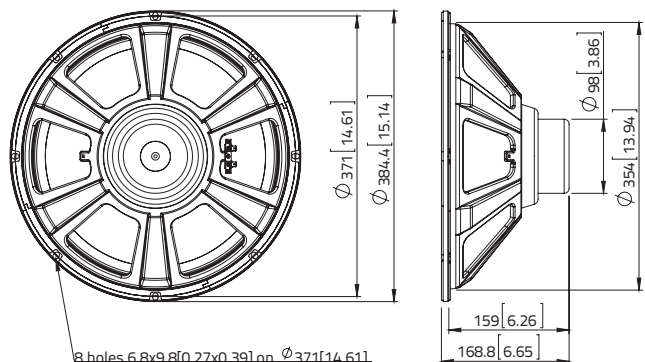
SHIPPING INFORMATION

Net weight	kg (lb.)	3,5 (7.7)
Multipack size (1) W x D x H	mm (in.)	438 x 438 x 212 (17.2 x 17.2 x 8.3)
Multipack weight	kg (lb.)	5,7 (12.5)

FREQUENCY RESPONSE AND IMPEDANCE



DIMENSIONS mm (in.)



(1) Program power is defined as 3 dB greater than AES Power. (2) Tested for two hours using a continuous, band-limited pink noise signal as per AES 2-1984 Rev. 2003. Loudspeaker tested in free air. (3) From T/S parameters, measured with Klippel DA LPM module. (4) The Xmax is calculated as: $(Hvc - Hg)/2 + Hg/4$. Hvc is the voice coil height and Hg the gap height. (5) The Xmech is calculated as: $(Hvc - Hg)/2 + (Hg - 2)$. Hvc is the voice coil height and Hg the gap height. (6) Thiele-Small parameters are measured after preconditioning: a) at 20°C - 22°C, 50% humidity for 2 hours; b) by Klippel LSI measurement.

All specifications subject to change without notice_E.a

SSF153.00

15" BASS GUITAR SPEAKER

Created as a dedicated subwoofer, the enhanced low frequency response and excursion capability of SSF153.00 makes it a great partner for the low-end section of a serious bass rig.



FERRITE MAGNET
STEEL BASKET DRIVER

BASS

WWW.LAVOCESPEAKERS.COM

400 W

3" VC

98 dB

45-2000 Hz

GENERAL SPECIFICATIONS

Nominal diameter	mm (in.)	380 (15)
Nominal impedance	Ω	8
Minimum impedance	Ω	6,0
Program power (1)	W	800
AES Power rating (2)	W	400
Sensitivity (3)	dB	98
Frequency range	Hz	45 ÷ 2000
Voice coil diameter	mm (in.)	75 (3)
Chassis material		Steel
Magnet material		Ferrite
Magnet dimensions	mm (in.)	192 x 83 x 20 (7.56 x 3.27 x 0.79)
Coil material		Copper
Former material		Glass Fiber
Cone material		Water Resistant Treated Paper + Water Proof Front Side Treatment
Surround material		Polycotton
Xmax (4)	mm (in.)	6,7 (0.26)
Xmech (5)	mm (in.)	12,6 (0.5)
Gap height	mm (in.)	10,5 (0.41)
Voice coil winding height	mm (in.)	18,6 (0.73)
Driver displacement volume	l (ft ³)	4,1 (0.14)
Recommended enclosure	l (ft ³)	94,3 (3.33)
Recommended tuning	Hz	52

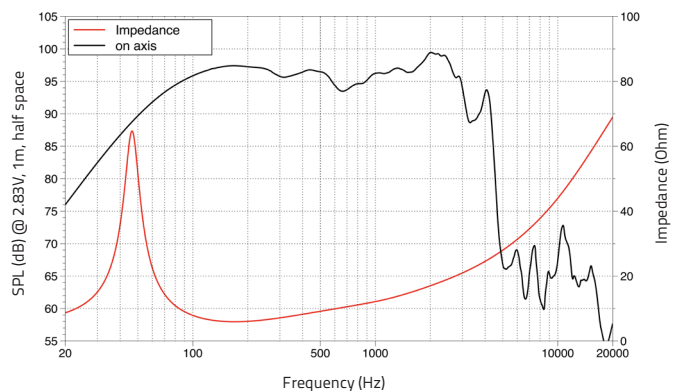
SMALL SIGNAL PARAMETERS

DC resistance	Re	Ohm	5,1
Resonance frequency	Fs	Hz	47
Moving mass	Mms	g (oz)	103,7 (3.66)
Compliance	Cms	mm/N	0,113
Force factor	BxL	N/A	18,65
Mechanical Q-factor	Qms		5,19
Electrical Q-factor	Qes		0,44
Total Q-factor	Qts		0,41
Equivalent air volume	Vas	l (ft ³)	116,92 (4.13)
Voice coil Inductance	Le	mH	1,06
Diaphragm area	Sd	cm ² (in. ²)	855 (132.5)
Reference efficiency	Eta 0	%	2,56
Efficiency bandwidth product	EBP	Hz	107

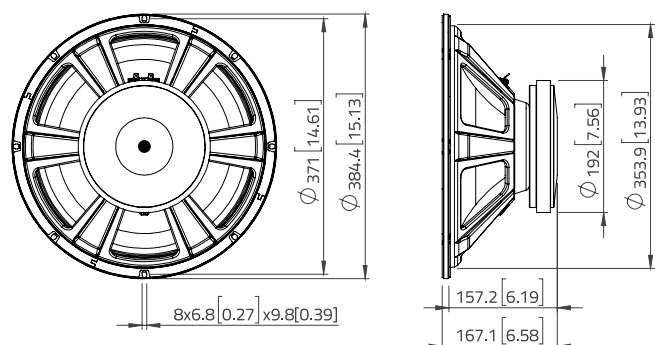
SHIPPING INFORMATION

Net weight	kg (lb.)	8,5 (18.8)
Multipack size (1)	mm (in.)	448 x 440 x 220 (17.6 x 17.3 x 8.7)
Multipack weight	kg (lb.)	10 (22)

FREQUENCY RESPONSE AND IMPEDANCE



DIMENSIONS mm (in.)



(1) Program power is defined as 3 dB greater than AES Power. (2) Tested for two hours using a continuous, band-limited pink noise signal as per AES 2-1984 Rev. 2003. Loudspeaker tested in free air. (3) From T/S parameters, measured with Klippel DA LPM module. (4) The Xmax is calculated as: $(Hvc - Hg)/2 + Hg/4$. Hvc is the voice coil height and Hg the gap height. (5) The Xmech is calculated as: $(Hvc - Hg)/2 + (Hg - 2)$. Hvc is the voice coil height and Hg the gap height. (6) Thiele-Small parameters are measured after preconditioning: a) at 20°C - 22°C, 50% humidity for 2 hours; b) by Klippel LSI measurement.

All specifications subject to change without notice_H.2



NEODYMIUM MAGNET
ALUMINIUM BASKET
DRIVER

WAN153.00

15" BASS GUITAR SPEAKER

Heavy duty aluminium basket for touring rigs, aluminium voice coil and responsive neodymium motor, delivers great efficiency and a wide frequency response for the most demanding professional bass applications.



WWW.LAVOCESPEAKERS.COM

500 W

3" VC

98,5 dB

45-3000 Hz

GENERAL SPECIFICATIONS

Nominal diameter	mm (in.)	380 (15)
Nominal impedance	Ω	8
Minimum impedance	Ω	5,3
Program power (1)	W	1000
AES Power rating (2)	W	500
Sensitivity (3)	dB	98,5
Frequency range	Hz	45 ÷ 3000
Voice coil diameter	mm (in.)	75 (3)
Chassis material	Aluminium	
Magnet material	Neodymium	
Magnet dimensions OD x ID x h	mm (in.)	75,4 x 10 (2.97 x 0.39)
Coil material	CCAW	
Former material	Glass Fiber	
Cone material	Water Resistant Treated Paper + Water Proof Front Side Treatment	
Surround material	Polycotton	
Xmax (4)	mm (in.)	7 (0.28)
Xmech (5)	mm (in.)	12,7 (0.5)
Gap height	mm (in.)	10,5 (0.41)
Voice coil winding height	mm (in.)	19 (0.75)
Driver displacement volume	l (ft ³)	4,9 (0.17)
Recommended enclosure	l (ft ³)	93 (3.3)
Recommended tuning	Hz	50

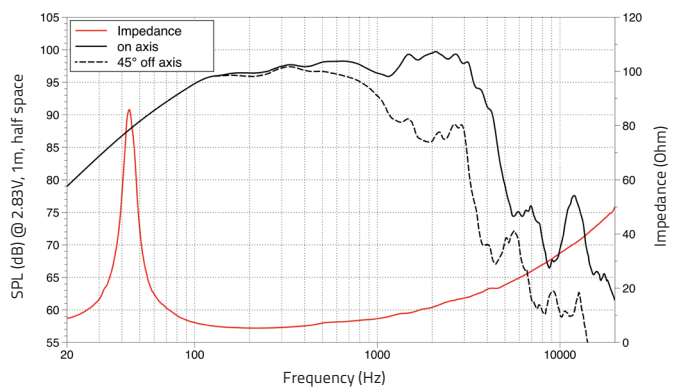
SMALL SIGNAL PARAMETERS

DC resistance	Re	Ohm	4,7
Resonance frequency	Fs	Hz	43
Moving mass	Mms	g (oz)	101,4 (3.58)
Compliance	Cms	mm/N	0,135
Force factor	BxL	N/A	17,334
Mechanical Q-factor	Qms		9,49
Electrical Q-factor	Qes		0,43
Total Q-factor	Qts		0,41
Equivalent air volume	Vas	l (ft ³)	139,2 (4,92)
Voice coil Inductance	Le	mH	0,76
Diaphragm area	Sd	cm ² (in. ²)	855 (132,5)
Reference efficiency	Eta 0	%	2,49
Efficiency bandwidth product	EBP	Hz	100

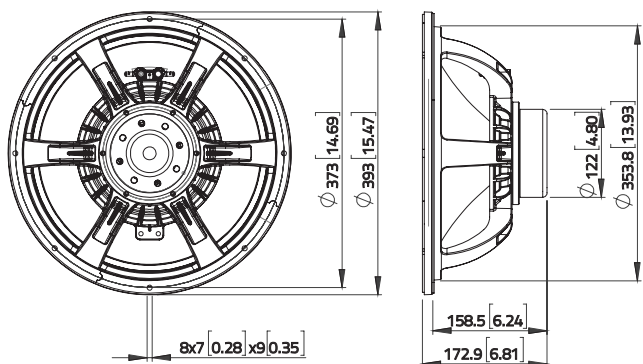
SHIPPING INFORMATION

Net weight	kg (lb.)	5,8 (12.7)
Multipack size (1) W x D x H	mm (in.)	425 x 425 x 220 (16.7 x 16.7 x 8.7)
Multipack weight	kg (lb.)	7.3 (16.1)

FREQUENCY RESPONSE AND IMPEDANCE



DIMENSIONS mm (in.)



(1) Program power is defined as 3 dB greater than AES Power. (2) Tested for two hours using a continuous, band-limited pink noise signal as per AES 2-1984 Rev. 2003. Loudspeaker tested in free air. (3) From T/S parameters, measured with Klippel DA LPM module. (4) The Xmax is calculated as: $(Hvc - Hg)/2 + Hg/4$. Hvc is the voice coil height and Hg the gap height. (5) The Xmech is calculated as: $(Hvc - Hg)/2 + (Hg - 2)$. Hvc is the voice coil height and Hg the gap height. (6) Thiele-Small parameters are measured after preconditioning: a) at 20°C - 22°C, 50% humidity for 2 hours; b) by Klippel LSI measurement.

All specifications subject to change without notice_H.a

FREEDOM OF EXPRESSION

ELECTRIC GUITAR SPEAKERS

WWW.LAVOCESPEAKERS.COM

Requiring a very-different design approach compared to standard speakers, electric guitar speakers are not only designed to replicate the audio signal, but to add additional layers of tone with pleasing break-up and distortion characteristics. Each LAVOCE Electric Guitar Speaker has had every aspect of its composition analyzed and auditioned to ensure these designed-in tonal qualities are then repeatable and consistent in production, to ensure a perfect performance every time.

Model	Size in	Magnet	AES Power W	VC ϕ In.	Nominal Impedance Ω	Sensitivity dB	Frequency range Hz	Acoustic	Bass	Electric	Keyboard
WSF101.70G	10	Ferrite	60	1.8	8	98	100 - 6000	-	-	■	-
WSF121.70G	12	Ferrite	100	1.8	8	99	70 - 5000	-	-	■	-



WSF101.70G

10" ELECTRIC GUITAR SPEAKER

Offering the classic attack of a modern 10" guitar speaker, WSF101.70G commands with a balanced low-end, warm mids, harmonically rich highs and appealing dynamics for its size.

60 W

1.8" VC

98 dB

100-6000 Hz

GENERAL SPECIFICATIONS

Nominal diameter	mm (in.)	250 (10)
Nominal impedance	Ω	8
Minimum impedance	Ω	7,4
Program power (1)	W	120
AES Power rating (2)	W	60
Sensitivity (3)	dB	98
Frequency range	Hz	100 ÷ 6000
Voice coil diameter	mm (in.)	45 (1.8)
Chassis material		Steel
Magnet material		Ferrite
Magnet dimensions	mm (in.)	134 x 60 x 15 (5.28 x 2.36 x 0.59)
Coil material		Copper
Former material		Polyimide
Cone material		Water Proof Treated Paper
Surround material		Paper
Xmax (4)	mm (in.)	2,7 (0.11)
Xmech (5)	mm (in.)	5,2 (0.2)
Gap height	mm (in.)	6 (0.24)
Voice coil winding height	mm (in.)	8,4 (0.33)
Driver displacement volume	l (ft ³)	1,15 (0.04)
Recommended enclosure	l (ft ³)	As Required
Recommended tuning	Hz	Sealed or Open Back

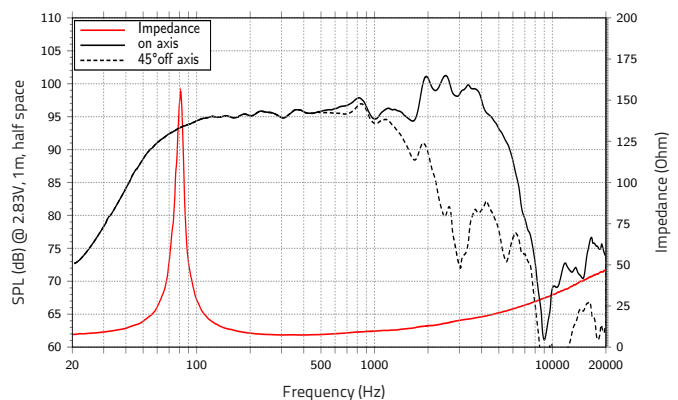
SMALL SIGNAL PARAMETERS

DC resistance	Re	Ohm	7,5
Resonance frequency	Fs	Hz	78
Moving mass	Mms	g (oz)	20,7 (0.73)
Compliance	Cms	mm/N	0,2
Force factor	BxL	N/A	11,9
Mechanical Q-factor	Qms		11,4
Electrical Q-factor	Qes		0,53
Total Q-factor	Qts		0,5
Equivalent air volume	Vas	l (ft ³)	36 (1.3)
Voice coil Inductance	Le	mH	0,51
Diaphragm area	Sd	cm ² (in. ²)	356 (55.18)
Reference efficiency	Eta 0	%	3,09
Efficiency bandwidth product	EBP	Hz	147

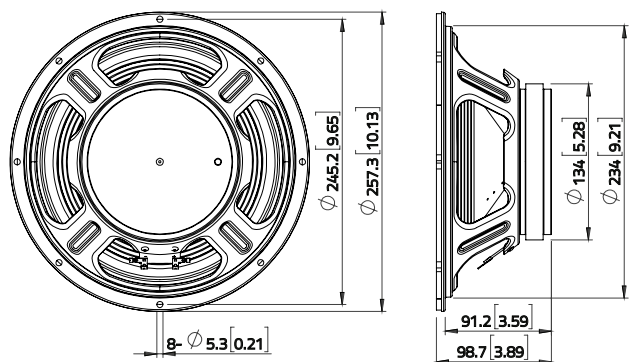
SHIPPING INFORMATION

Net weight	kg (lb.)	2,4 (5.3)
Multipack size (1)	mm (in.)	300 x 300 x 126 (11.8 x 11.8 x 5)
Multipack weight	kg (lb.)	3,2 (7)

FREQUENCY RESPONSE AND IMPEDANCE



DIMENSIONS mm (in.)



(1) Program power is defined as 3 dB greater than AES Power. (2) Tested for two hours using a continuous, band-limited pink noise signal as per AES 2-1984 Rev. 2003. Loudspeaker tested in free air. (3) From T/S parameters, measured with Klippel DA LPM module. (4) The Xmax is calculated as: $(Hvc - Hg)/2 + Hg/4$. Hvc is the voice coil height and Hg the gap height. (5) The Xmech is calculated as: $(Hvc - Hg)/2 + (Hg - 2)$. Hvc is the voice coil height and Hg the gap height. (6) Thiele-Small parameters are measured after preconditioning: a) at 20°C- 22°C, 50% humidity for 2 hours; b) by Klippel LSI measurement.

All specifications subject to change without notice..E.a



FERRITE MAGNET
STEEL BASKET DRIVER



WWW.LAVOCESPEAKERS.COM

WSF121.70G

12" ELECTRIC GUITAR SPEAKER

With driving lows and smooth mid-highs the WSF121.70G offers personally for aggressive high gain chops and responsiveness when playing cleaner tones.

100 W

1.8" VC

99 dB

70-5000 Hz

GENERAL SPECIFICATIONS

Nominal diameter	mm (in.)	300 (12)
Nominal impedance	Ω	8
Minimum impedance	Ω	7,3
Program power (1)	W	200
AES Power rating (2)	W	100
Sensitivity (3)	dB	99
Frequency range	Hz	70 ÷ 5000
Voice coil diameter	mm (in.)	45 (1.8)
Chassis material		Steel
Magnet material		Ferrite
Magnet dimensions	mm (in.)	155 x 80 x 20 (6.14 x 3.15 x 0.79)
Coil material		Copper
Former material		Polyimide
Cone material		Water Proof Treated Paper
Surround material		Paper
Xmax (4)	mm (in.)	2,7 (0.11)
Xmech (5)	mm (in.)	5,2 (0.2)
Gap height	mm (in.)	8 (0.31)
Voice coil winding height	mm (in.)	8,4 (0.33)
Driver displacement volume	l (ft ³)	2,2 (0.08)
Recommended enclosure	l (ft ³)	As required
Recommended tuning	Hz	Sealed or Open Back

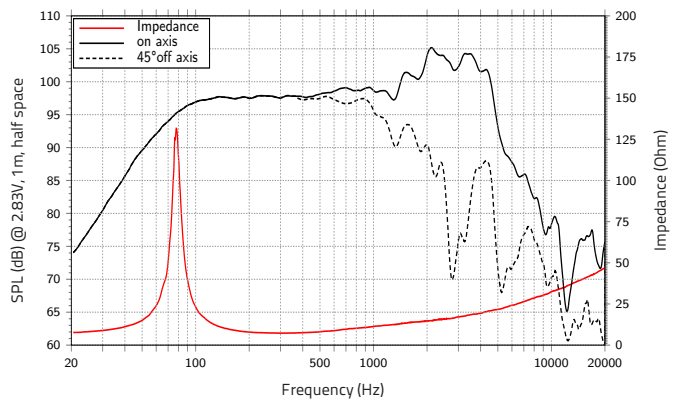
SMALL SIGNAL PARAMETERS

DC resistance	Re	Ohm	6,6
Resonance frequency	Fs	Hz	82
Moving mass	Mms	g (oz)	33,9 (1.19)
Compliance	Cms	mm/N	0,11
Force factor	BxL	N/A	13,6
Mechanical Q-factor	Qms		11,7
Electrical Q-factor	Qes		0,62
Total Q-factor	Qts		0,59
Equivalent air volume	Vas	l (ft ³)	41 (1.5)
Voice coil Inductance	Le	mH	0,58
Diaphragm area	Sd	cm ² (in. ²)	506 (78.43)
Reference efficiency	Eta 0	%	3,45
Efficiency bandwidth product	EBP	Hz	132

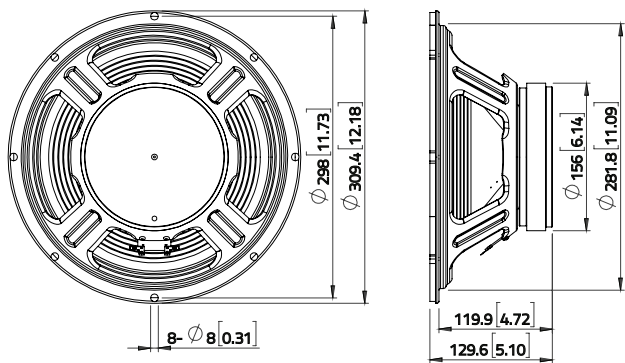
SHIPPING INFORMATION

Net weight	kg (lb.)	3,2 (7)
Multipack size (1)	mm (in.)	356 x 356 x 173 (14 x 14 x 6.8)
Multipack weight	kg (lb.)	4,1 (9)

FREQUENCY RESPONSE AND IMPEDANCE



DIMENSIONS mm (in.)



(1) Program power is defined as 3 dB greater than AES Power. (2) Tested for two hours using a continuous, band-limited pink noise signal as per AES 2-1984 Rev. 2003. Loudspeaker tested in free air. (3) From T/S parameters, measured with Klippel DA LPM module. (4) The Xmax is calculated as: $(Hvc - Hg)/2 + Hg/4$. Hvc is the voice coil height and Hg the gap height. (5) The Xmech is calculated as: $(Hvc - Hg)/2 + (Hg - 2)$. Hvc is the voice coil height and Hg the gap height. (6) Thiele-Small parameters are measured after preconditioning: a) at 20°C- 22°C, 50% humidity for 2 hours; b) by Klippel LSI measurement.

All specifications subject to change without notice_E.a

ARTISTIC INSPIRATION

PROFESSIONAL MI SPEAKERS

WWW.LAVOCESPEAKERS.COM

Derived from our comprehensive range of standard professional products, this selection of speakers has been carefully chosen to inspire ideas for their potential use in premium MI applications. With neodymium or ferrite magnet options available in various sizes from 2" to 12", including dedicated fullrange, coaxial and woofer designs, creative possibilities start here.

Model	Size in	Magnet	AES Power W	VC Ø In.	Nominal Impedance Ω	Sensitivity dB	Frequency range Hz	Acoustic	Bass	Electric	Keyboard
FSN020.71F	2	Neo	15	0.75	8	86,5	200 - 20000	■	■	-	■
FSN030.72	3	Neo	30	0.75	8 / 16	90,5	120 - 20000	■	■	-	■
WSN041.00	4	Neo	40	1	8 / 16	91,5	100 - 12000	■	■	-	■
CSF061.21	6.5	Ferrite	50	1.2 - 0.55	8	92,5	90 - 22000	■	-	-	-
MAN061.80	6.5	Neo	150	1.8	8	94,5	170 - 6000	■	■	-	-
MAN062.00	6.5	Neo	250	2	8 / 16	98	100 - 4000	■	■	-	■
WSF081.82	8	Ferrite	150	1.8	8 / 16	95,5	80 - 5000	■	-	-	■
WSF102.00	10	Ferrite	175	2	8	97	60 - 4000	-	■	-	■
FSF122.02	12	Ferrite	150	1.8	8	98,5	60 - 10000	■	-	-	■
WSF122.50	12	Ferrite	250	2.5	8	97,5	50 - 3000	-	■	-	■
WAF122.50	12	Ferrite	350	2.5	8 / 4	97,5	60 - 3000	-	■	-	■
WAN123.00	12	Neo	500	3	8 / 4 / 16	99	50 - 3000	-	■	-	■



FSN020.71F

2" FULLRANGE

Optimized for fullrange column arrays for acoustic or bass applications, the FSN020.71F has a flat basket design for easy mounting, lightweight neo motor structure and a smooth response to 20kHz.



NEODYMIUM MAGNET
STEEL BASKET DRIVER

WWW.LAVOCESPEAKERS.COM

15 W

0.75" VC

86,5 dB

200-20000 Hz

GENERAL SPECIFICATIONS

Nominal diameter	mm (in.)	50 (2)
Nominal impedance	Ω	8
Minimum impedance	Ω	6,9
Program power (1)	W	30
AES Power rating (2)	W	15
Sensitivity (3)	dB	86,5
Frequency range	Hz	200 ÷ 20000
Voice coil diameter	mm (in.)	20 (0.75)
Chassis material		Steel
Magnet material		Neodymium
Magnet dimensions	mm	19 x 5 + 19 x 3
OD x ID x h	(in.)	(0.75 x 0.2 + 0.75 x 0.1)
Coil material		CCAW
Former material		Polyimide
Cone material		Water Resistant Treated Paper
Surround material		Polycotton
Xmax (4)	mm (in.)	2,4 (0.09)
Xmech (5)	mm (in.)	2,6 (0.1)
Gap height	mm (in.)	3 (0.12)
Voice coil winding height	mm (in.)	6,2 (0.24)
Driver displacement volume	l (ft ³)	0,028 (0.001)
Recommended enclosure	l (ft ³)	1,0 (0.035)
Recommended tuning	Hz	Sealed

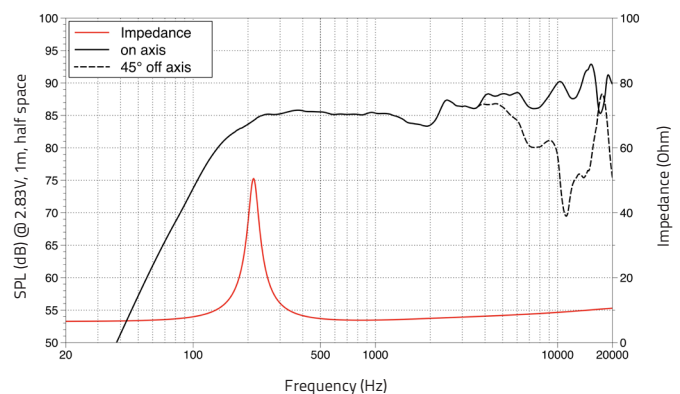
SMALL SIGNAL PARAMETERS

DC resistance	Re	Ohm	6,4
Resonance frequency	Fs	Hz	212
Moving mass	Mms	g (oz)	1,17 (0.04)
Compliance	Cms	mm/N	0,482
Force factor	BxL	N/A	3,24
Mechanical Q-factor	Qms		6,36
Electrical Q-factor	Qes		0,95
Total Q-factor	Qts		0,82
Equivalent air volume	Vas	l (ft ³)	0,22 (0.01)
Voice coil Inductance	Le	mH	0,062
Diaphragm area	Sd	cm ² (in. ²)	18 (2,8)
Reference efficiency	Eta 0	%	0,21
Efficiency bandwidth product	EBP	Hz	223

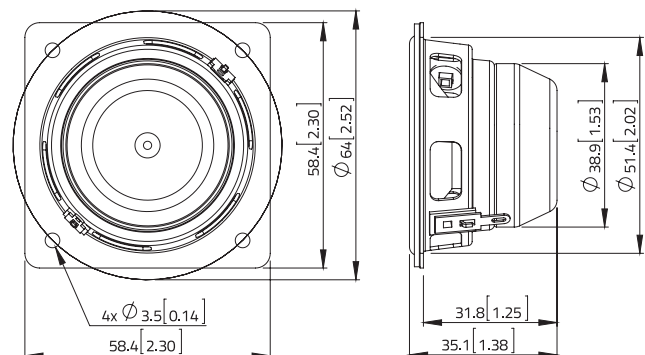
SHIPPING INFORMATION

Net weight	kg (lb.)	0,15 (0.34)
Multipack size (60)	mm	445 x 402 x 192
W x D x H	(in.)	(17.5 x 15.8 x 7.5)
Multipack weight	kg (lb.)	12,9 (28.5)

FREQUENCY RESPONSE AND IMPEDANCE



DIMENSIONS mm (in.)



(1) Program power is defined as 3 dB greater than AES Power. (2) Tested for two hours using a continuous, band-limited pink noise signal as per AES 2-1984 Rev. 2003. Loudspeaker tested in free air. (3) From T/S parameters, measured with Klippel DA LPM module. (4) The Xmax is calculated as: $(Hvc - Hg)/2 + Hg/4$. Hvc is the voice coil height and Hg the gap height. (5) The Xmech is calculated as: $(Hvc - Hg)/2 + (Hg - 2)$. Hvc is the voice coil height and Hg the gap height. (6) Thiele-Small parameters are measured after preconditioning: a) at 20°C - 22°C, 50% humidity for 2 hours; b) by Klippel LSI measurement.

All specifications subject to change without notice_H.2



FSN030.72

3" FULLRANGE

Suitable for column arrays applications that require optimized vertical coverage, FSN030.72 delivers high power handling and sensitivity, together with a linear response to 20kHz and a great off-axis response.



NEODYMIUM MAGNET
STEEL BASKET DRIVER

WWW.LAVOCESPEAKERS.COM

30 W

0.75" VC

90,5 dB

120-20000 Hz

GENERAL SPECIFICATIONS

Nominal diameter	mm (in.)	70 (3)
Nominal impedance	Ω	8
Minimum impedance	Ω	6,9
Program power (1)	W	60
AES Power rating (2)	W	30
Sensitivity (3)	dB	90,5
Frequency range	Hz	120 ÷ 20000
Voice coil diameter	mm (in.)	20 (0.75)
Chassis material		Steel
Magnet material		Neodymium
Magnet dimensions	mm (in.)	50 x 25 x 5 (1.97 x 0.98 x 0.2)
Coil material		CCAW
Former material		Glass Fiber
Cone material		Water Resistant Treated Paper
Surround material		Rubber
Xmax (4)	mm (in.)	2,1 (0.08)
Xmech (5)	mm (in.)	3,1 (0.12)
Gap height	mm (in.)	4 (0.16)
Voice coil winding height	mm (in.)	6,2 (0.24)
Driver displacement volume	l (ft ³)	0,05 (0.002)
Recommended enclosure	l (ft ³)	1,93 (0.068)
Recommended tuning	Hz	125

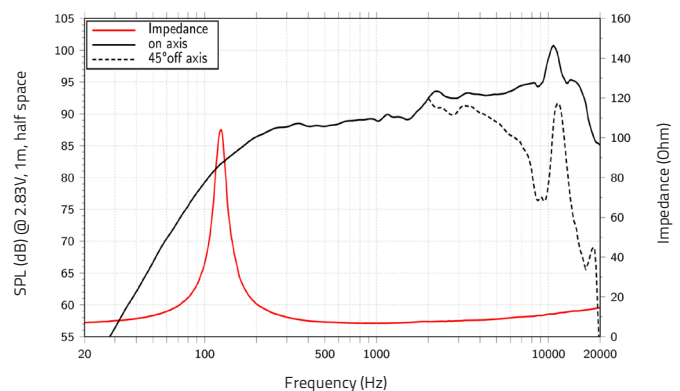
SMALL SIGNAL PARAMETERS

DC resistance	Re	Ohm	6,2
Resonance frequency	Fs	Hz	127
Moving mass	Mms	g (oz)	2,16 (0,08)
Compliance	Cms	mm/N	0,726
Force factor	BxL	N/A	4,99
Mechanical Q-factor	Qms		7,53
Electrical Q-factor	Qes		0,43
Total Q-factor	Qts		0,41
Equivalent air volume	Vas	l (ft ³)	1,12 (0,04)
Voice coil Inductance	Le	mH	0,2
Diaphragm area	Sd	cm ² (in. ²)	33 (5,1)
Reference efficiency	Eta 0	%	0,51
Efficiency bandwidth product	EBP	Hz	295

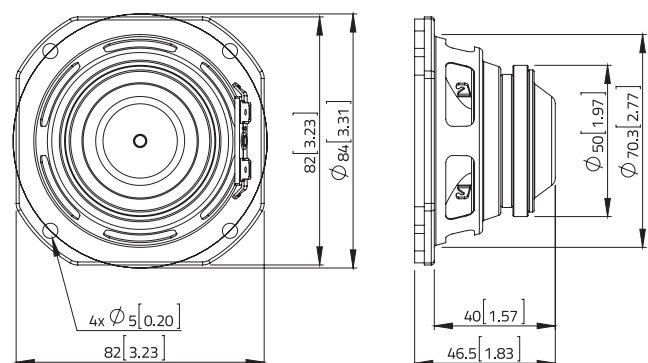
SHIPPING INFORMATION

Net weight	kg (lb.)	0,19 (0.43)
Multipack size (45)	mm (in.)	452 x 313 x 192 (17.8 x 12.3 x 7.5)
Multipack weight	kg (lb.)	12,2 (26.9)

FREQUENCY RESPONSE AND IMPEDANCE



DIMENSIONS mm (in.)



(1) Program power is defined as 3 dB greater than AES Power. (2) Tested for two hours using a continuous, band-limited pink noise signal as per AES 2-1984 Rev. 2003. Loudspeaker tested in free air. (3) From T/S parameters, measured with Klippel DA LPM module. (4) The Xmax is calculated as: $(Hvc - Hg)/2 + Hg/4$. Hvc is the voice coil height and Hg the gap height. (5) The Xmech is calculated as: $(Hvc - Hg)/2 + (Hg - 2)$. Hvc is the voice coil height and Hg the gap height. (6) Thiele-Small parameters are measured after preconditioning: a) at 20°C - 22°C, 50% humidity for 2 hours; b) by Klippel LSI measurement.

All specifications subject to change without notice_H.2



WSN041.00

4" WOOFER

A high 40W power handling, flat frequency response to 10kHz and being front or rear mountable, WSN041.00 is ideal for compact practice amps.



BASS

ACOUSTIC

KEYBOARD

NEODYMIUM MAGNET
STEEL BASKET DRIVER

WWW.LAVOCESPEAKERS.COM

40 W

1" VC

91,5 dB

100-12000 Hz

GENERAL SPECIFICATIONS

Nominal diameter	mm (in.)	100 (4)
Nominal impedance	Ω	8
Minimum impedance	Ω	6,5
Program power (1)	W	80
AES Power rating (2)	W	40
Sensitivity (3)	dB	91,5
Frequency range	Hz	100 ÷ 12000
Voice coil diameter	mm (in.)	25 (1)
Chassis material		Steel
Magnet material		Neodymium
Magnet dimensions	mm	65 x 32 x 4
OD x ID x h	(in.)	(2.56 x 1.26 x 0.16)
Coil material		Copper
Former material		Polyimide
Cone material		Water Resistant Treated Paper
Surround material		Rubber
Xmax (4)	mm (in.)	4 (0.16)
Xmech (5)	mm (in.)	5,8 (0.23)
Gap height	mm (in.)	5 (0.2)
Voice coil winding height	mm (in.)	10,5 (0.41)
Driver displacement volume	l (ft ³)	0,125 (0.004)
Recommended enclosure	l (ft ³)	2 (0.071)
Recommended tuning	Hz	165

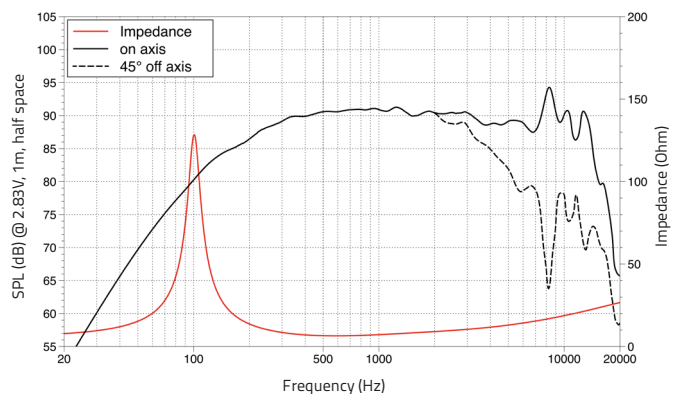
SMALL SIGNAL PARAMETERS

DC resistance	Re	Ohm	5,6
Resonance frequency	Fs	Hz	104
Moving mass	Mms	g (oz)	5,9 (0.21)
Compliance	Cms	mm/N	0,403
Force factor	BxL	N/A	8,3
Mechanical Q-factor	Qms		7,06
Electrical Q-factor	Qes		0,32
Total Q-factor	Qts		0,30
Equivalent air volume	Vas	l (ft ³)	1,79 (0.06)
Voice coil Inductance	Le	mH	0,28
Diaphragm area	Sd	cm ² (in. ²)	56 (8.68)
Reference efficiency	Eta 0	%	0,61
Efficiency bandwidth product	EBP	Hz	325

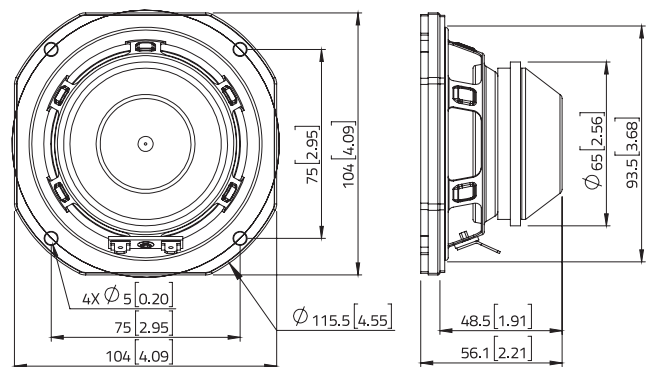
SHIPPING INFORMATION

Net weight	kg (lb.)	0,5 (1.1)
Multipack size (18)	mm	390 x 345 x 159
W x D x H	(in.)	(15.3 x 13.6 x 6.2)
Multipack weight	kg (lb.)	10,9 (24)

FREQUENCY RESPONSE AND IMPEDANCE



DIMENSIONS mm (in.)



(1) Program power is defined as 3 dB greater than AES Power. (2) Tested for two hours using a continuous, band-limited pink noise signal as per AES 2-1984 Rev. 2003. Loudspeaker tested in free air. (3) From T/S parameters, measured with Klippel DA LPM module. (4) The Xmax is calculated as: $(H_{vc} - H_g)/2 + H_g/4$. Hvc is the voice coil height and Hg the gap height. (5) The Xmech is calculated as: $(H_{vc} - H_g)/2 + (H_g - 2)$. Hvc is the voice coil height and Hg the gap height. (6) Thiele-Small parameters are measured after preconditioning: a) at 20°C - 22°C, 50% humidity for 2 hours; b) by Klippel LSI measurement.

All specifications subject to change without notice_H.2



CSF061.21

6.5" TWO WAY COAXIAL

FERRITE WOOFER
NEODYMIUM TWEETER MAGNET
STEEL BASKET DRIVER

Faithful reproduction of acoustic tone is a key feature of CSF061.21, incorporating a well-balanced frequency range, crystal-clear soft dome tweeter and a concealed optimized passive crossover network.



WWW.LAVOCESPEAKERS.COM

50 W

1.2"-0.55" VC

92,5 dB

90-22000 Hz

GENERAL SPECIFICATIONS

Nominal diameter	mm (in.)	165 - 20 (6.5 - 0.7)
Nominal impedance	Ω	8
Minimum impedance	Ω	6
Program power (1)	W	100
AES Power rating (2)	W	50
Sensitivity (3)	dB	92,5
Frequency range	Hz	90 ÷ 22000
Voice coil diameter	mm (in.)	30 - 14 (1.2 - 0.55)
Chassis material		Steel
Magnet material		Ferrite - Neodymium
Magnet dimensions	mm (in.)	90 x 40 x 15 (3.54 x 1.57 x 0.59)
OD x ID x h		
Coil material		Copper
Former material		Polyimide
Cone material		Water Resistant Treated Paper - PEI
Surround material		Polycotton
Xmax (4)	mm (in.)	3,2 (0.12)
Xmech (5)	mm (in.)	4,2 (0.16)
Gap height	mm (in.)	4 (0.16)
Voice coil winding height	mm (in.)	8,5 (0.33)
Driver displacement volume	l (ft ³)	8 (0.28)
Recommended enclosure	l (ft ³)	6,2 (0.22)
Recommended tuning	Hz	Sealed

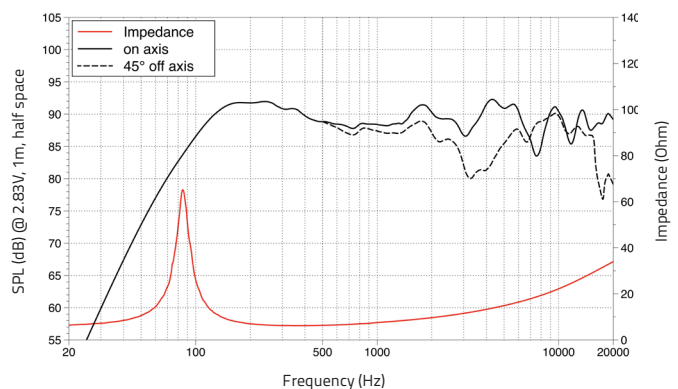
SMALL SIGNAL PARAMETERS

DC resistance	Re	Ohm	5,7
Resonance frequency	Fs	Hz	90
Moving mass	Mms	g (oz)	9,11 (0.32)
Compliance	Cms	mm/N	0,34
Force factor	BxL	N/A	6,09
Mechanical Q-factor	Qms		4,36
Electrical Q-factor	Qes		0,79
Total Q-factor	Qts		0,67
Equivalent air volume	Vas	l (ft ³)	8,48 (0.3)
Voice coil Inductance	Le	mH	0,37
Diaphragm area	Sd	cm ² (in. ²)	132 (20.5)
Reference efficiency	Eta 0	%	0,75
Efficiency bandwidth product	EBP	Hz	114

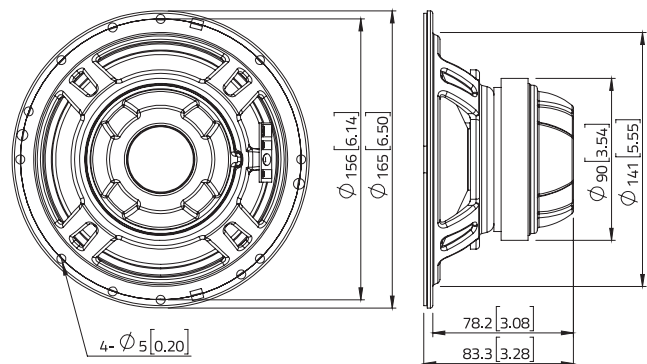
SHIPPING INFORMATION

Net weight	kg (lb.)	1 (2.2)
Multipack size (8)	mm (in.)	381 x 365 x 220 (15 x 14.4 x 8.7)
Multipack weight	kg (lb.)	9,8 (21.6)

FREQUENCY RESPONSE AND IMPEDANCE



DIMENSIONS mm (in.)



(1) Program power is defined as 3 dB greater than AES Power. (2) Tested for two hours using a continuous, band-limited pink noise signal as per AES 2-1984 Rev. 2003. Loudspeaker tested in free air. (3) From T/S parameters, measured with Klippel DA LPM module. (4) The Xmax is calculated as: $(Hvc - Hg)/2 + Hg/4$. Hvc is the voice coil height and Hg the gap height. (5) The Xmech is calculated as: $(Hvc - Hg)/2 + (Hg - 2)$. Hvc is the voice coil height and Hg the gap height. (6) Thiele-Small parameters are measured after preconditioning: a) at 20°C - 22°C, 50% humidity for 2 hours; b) by Klippel LSI measurement.

All specifications subject to change without notice_H.2



MAN061.80

6.5" MIDRANGE

A dynamic speaker with a triple roll surround and a copper cap in the neo motor for extended HF response, MAN061.80 offers the high performance snap required for the high-end of bass or acoustic applications



NEODYMIUM MAGNET
ALUMINIUM BASKET DRIVER

WWW.LAVOCESPEAKERS.COM

150 W

1.8" VC

94.5 dB

170-6000 Hz

GENERAL SPECIFICATIONS

Nominal diameter	mm (in.)	165 (6.5)
Nominal impedance	Ω	8
Minimum impedance	Ω	6,8
Program power (1)	W	300
AES Power rating (2)	W	150
Sensitivity (3)	dB	94,5
Frequency range	Hz	170 ÷ 6000
Voice coil diameter	mm (in.)	45 (1.8)
Chassis material	Aluminium	
Magnet material	Neodymium	
Magnet dimensions	mm	85 x 55 x 7
OD x ID x h	(in.)	(3.34 x 2.16 x 0.28)
Coil material	CCAW	
Former material	Glass Fiber	
Cone material	Water Resistant Treated Paper + Water Proof Front Side Treatment	
Surround material	Polycotton	
Xmax (4)	mm (in.)	3 (0.12)
Xmech (5)	mm (in.)	5,5 (0.22)
Gap height	mm (in.)	6 (0.24)
Voice coil winding height	mm (in.)	9,1 (0.36)
Driver displacement volume	l (ft ³)	0,4 (0.01)
Recommended enclosure	l (ft ³)	7 (0.25)
Recommended tuning	Hz	Sealed

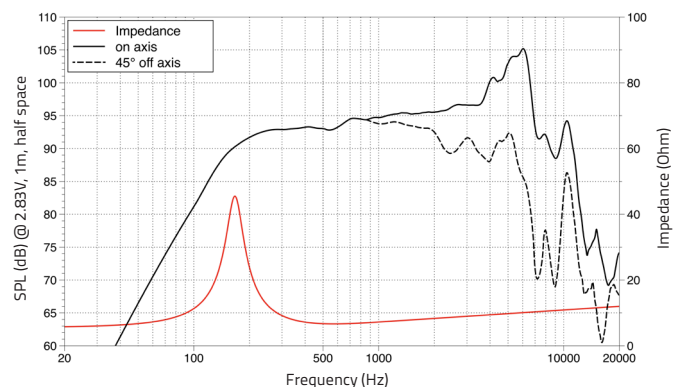
SMALL SIGNAL PARAMETERS

DC resistance	Re	Ohm	5,56
Resonance frequency	Fs	Hz	172
Moving mass	Mms	g (oz)	13,26 (0.47)
Compliance	Cms	mm/N	0,065
Force factor	BxL	N/A	11,03
Mechanical Q-factor	Qms		4,69
Electrical Q-factor	Qes		0,65
Total Q-factor	Qts		0,57
Equivalent air volume	Vas	l (ft ³)	1,59 (0.06)
Voice coil Inductance	Le	mH	0,09
Diaphragm area	Sd	cm ² (in. ²)	132 (20,5)
Reference efficiency	Eta 0	%	1,19
Efficiency bandwidth product	EBP	Hz	265

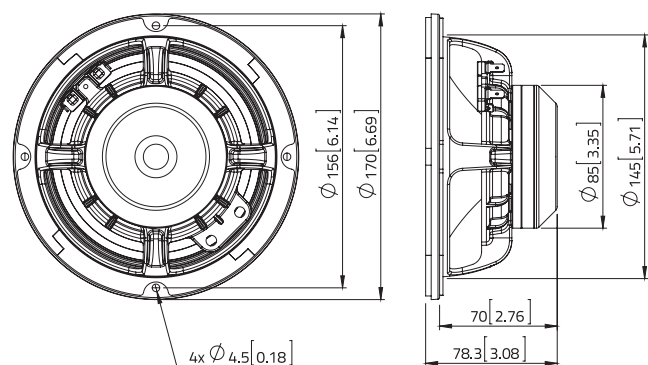
SHIPPING INFORMATION

Net weight	kg (lb.)	1.1 (2.4)
Multipack size (8)	mm	415 x 375 x 218
W x D x H	(in.)	(16.3 x 14.8 x 8.6)
Multipack weight	kg (lb.)	11,5 (25.3)

FREQUENCY RESPONSE AND IMPEDANCE



DIMENSIONS mm (in.)



(1) Program power is defined as 3 dB greater than AES Power. (2) Tested for two hours using a continuous, band-limited pink noise signal as per AES 2-1984 Rev. 2003. Loudspeaker tested in free air. (3) From T/S parameters, measured with Klippel DA LPM module. (4) The Xmax is calculated as: $(Hvc - Hg)/2 + Hg/4$. Hvc is the voice coil height and Hg the gap height. (5) The Xmech is calculated as: $(Hvc - Hg)/2 + (Hg - 2)$. Hvc is the voice coil height and Hg the gap height. (6) Thiele-Small parameters are measured after preconditioning: a) at 20°C - 22°C, 50% humidity for 2 hours; b) by Klippel LSI measurement.

All specifications subject to change without notice_H.2



MAN062.00

6.5" MIDRANGE

Ultra compact design with maximized efficiency, smooth frequency response and super high power handling make the MAN062.00 a premium midrange choice for refined 3-way MI cabinet applications.



NEODYMIUM MAGNET
ALUMINIUM BASKET DRIVER

WWW.LAVOCESPEAKERS.COM

250 W

2" VC

98 dB

100-4000 Hz

GENERAL SPECIFICATIONS

Nominal diameter	mm (in.)	165 (6.5)
Nominal impedance	Ω	8
Minimum impedance	Ω	6,7
Program power (1)	W	500
AES Power rating (2)	W	250
Sensitivity (3)	dB	98
Frequency range	Hz	100 ÷ 4000
Voice coil diameter	mm (in.)	51 (2)
Chassis material	Aluminium	
Magnet material	Neodymium	
Magnet dimensions	mm (in.)	50 x 9 + 48 x 5 (1.97 x 0.35 + 1.89 x 0.2)
Coil material	CCAW	
Former material	Glass Fiber	
Cone material	Water Resistant Treated Paper + Water Proof Front Side Treatment	
Surround material	Polycotton	
Xmax (4)	mm (in.)	3,9 (0.15)
Xmech (5)	mm (in.)	6,4 (0.25)
Gap height	mm (in.)	6 (0.24)
Voice coil winding height	mm (in.)	10,8 (0.43)
Driver displacement volume	l (ft ³)	0,423 (0.015)
Recommended enclosure	l (ft ³)	7 (0.25)
Recommended tuning	Hz	107

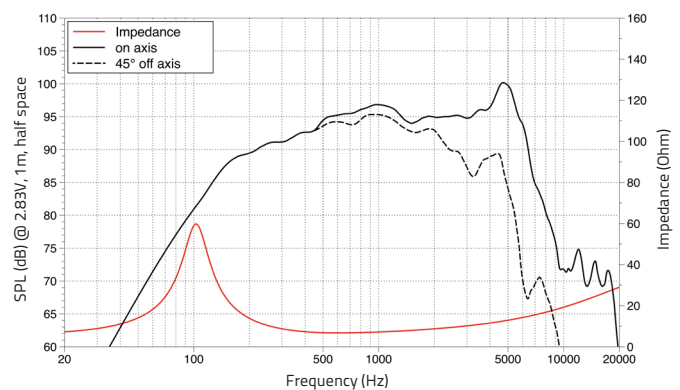
SMALL SIGNAL PARAMETERS

DC resistance	Re	Ohm	5,7
Resonance frequency	Fs	Hz	103
Moving mass	Mms	g (oz)	14,38 (0.51)
Compliance	Cms	mm/N	0,165
Force factor	BxL	N/A	12,72
Mechanical Q-factor	Qms		2,82
Electrical Q-factor	Qes		0,33
Total Q-factor	Qts		0,3
Equivalent air volume	Vas	l (ft ³)	4,07 (0.1)
Voice coil Inductance	Le	mH	0,31
Diaphragm area	Sd	cm ² (in. ²)	132 (20.5)
Reference efficiency	Eta 0	%	1,31
Efficiency bandwidth product	EBP	Hz	312

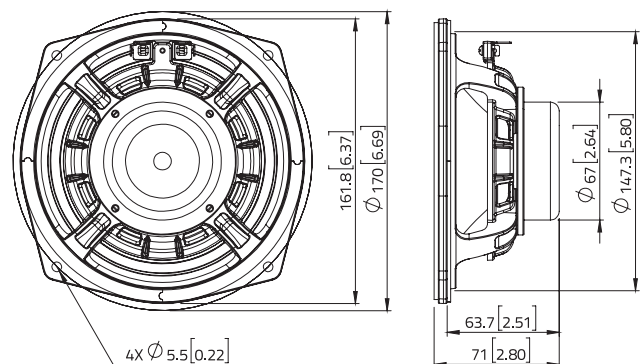
SHIPPING INFORMATION

Net weight	kg (lb.)	0,9 (2.03)
Multipack size (8)	mm (in.)	385 x 355 x 200 (15.1 x 14 x 7.9)
Multipack weight	kg (lb.)	9,1 (20)

FREQUENCY RESPONSE AND IMPEDANCE



DIMENSIONS mm (in.)



(1) Program power is defined as 3 dB greater than AES Power. (2) Tested for two hours using a continuous, band-limited pink noise signal as per AES 2-1984 Rev. 2003. Loudspeaker tested in free air. (3) From T/S parameters, measured with Klippel DA LPM module. (4) The Xmax is calculated as: $(Hvc - Hg)/2 + Hg/4$. Hvc is the voice coil height and Hg the gap height. (5) The Xmech is calculated as: $(Hvc - Hg)/2 + (Hg - 2)$. Hvc is the voice coil height and Hg the gap height. (6) Thiele-Small parameters are measured after preconditioning: a) at 20°C- 22°C, 50% humidity for 2 hours; b) by Klippel LSI measurement.

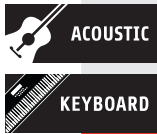
All specifications subject to change without notice_H.a



WSF081.82

8" WOOFER

WSF081.82 delivers a smooth response and enough low-end drive to partner with a compression driver or array of tweeters for compact keyboard or acoustic guitar combos.



FERRITE MAGNET
STEEL BASKET DRIVER

WWW.LAVOCESPEAKERS.COM

150 W

1.8" VC

95,5 dB

80-5000 Hz

GENERAL SPECIFICATIONS

Nominal diameter	mm (in.)	200 (8)
Nominal impedance	Ω	8
Minimum impedance	Ω	6,5
Program power (1)	W	300
AES Power rating (2)	W	150
Sensitivity (3)	dB	95,5
Frequency range	Hz	80 ÷ 5000
Voice coil diameter	mm (in.)	45 (1.8)
Chassis material		Steel
Magnet material		Ferrite
Magnet dimensions OD x ID x h	mm (in.)	120 x 60 x 22 (4.72 x 2.36 x 0.87)
Coil material		Copper
Former material		Glass Fiber
Cone material		Water Resistant Treated Paper
Surround material		Polycotton
Xmax (4)	mm (in.)	6,2 (0.24)
Xmech (5)	mm (in.)	10,2 (0.40)
Gap height	mm (in.)	8 (0.31)
Voice coil winding height	mm (in.)	16,5 (0.65)
Driver displacement volume	l (ft ³)	0,8 (0.03)
Recommended enclosure	l (ft ³)	23 (0.97)
Recommended tuning	Hz	80

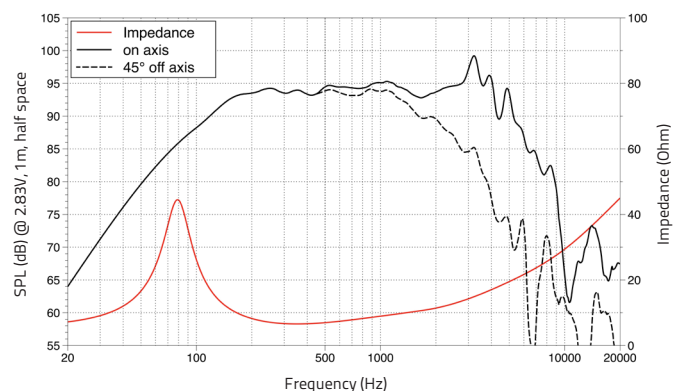
SMALL SIGNAL PARAMETERS

DC resistance	Re	Ohm	5,7
Resonance frequency	Fs	Hz	79
Moving mass	Mms	g (oz)	19,4 (0.68)
Compliance	Cms	mm/N	0,209
Force factor	BxL	N/A	11,25
Mechanical Q-factor	Qms		2,95
Electrical Q-factor	Qes		0,43
Total Q-factor	Qts		0,38
Equivalent air volume	Vas	l (ft ³)	14,3 (0.5)
Voice coil Inductance	Le	mH	0,49
Diaphragm area	Sd	cm ² (in. ²)	220 (34.1)
Reference efficiency	Eta 0	%	1,58
Efficiency bandwidth product	EBP	Hz	184

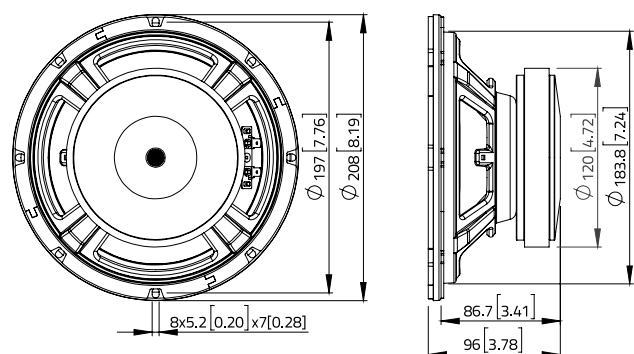
SHIPPING INFORMATION

Net weight	kg (lb.)	2,3 (5)
Multipack size (1)	mm (in.)	262 x 268 x 142 (10.3 x 10.5 x 5.6)
Multipack weight	kg (lb.)	3,2 (7)

FREQUENCY RESPONSE AND IMPEDANCE



DIMENSIONS mm (in.)



(1) Program power is defined as 3 dB greater than AES Power. (2) Tested for two hours using a continuous, band-limited pink noise signal as per AES 2-1984 Rev. 2003. Loudspeaker tested in free air. (3) From T/S parameters, measured with Klippel DA LPM module. (4) The Xmax is calculated as: $(Hvc - Hg)/2 + Hg/4$. Hvc is the voice coil height and Hg the gap height. (5) The Xmech is calculated as: $(Hvc - Hg)/2 + (Hg - 2)$. Hvc is the voice coil height and Hg the gap height. (6) Thiele-Small parameters are measured after preconditioning: a) at 20°C - 22°C, 50% humidity for 2 hours; b) by Klippel LSI measurement.

All specifications subject to change without notice_H.a



FSF122.02

12" FULLRANGE

Using an optimized dual cone configuration, FSF122.02 delivers an impressive fullrange performance with minimal cost impact, making its linear frequency response to 10kHz attractive for bass or keyboard combos.



FERRITE MAGNET
STEEL BASKET DRIVER

WWW.LAVOCESPEAKERS.COM

150 W

1.8" VC

98,5 dB

60-10000 Hz

GENERAL SPECIFICATIONS

Nominal diameter	mm (in.)	300 (12)
Nominal impedance	Ω	8
Minimum impedance	Ω	6,5
Program power (1)	W	300
AES Power rating (2)	W	150
Sensitivity (3)	dB	98,5
Frequency range	Hz	60 ÷ 10000
Voice coil diameter	mm (in.)	45 (1.8)
Chassis material		Steel
Magnet material		Ferrite
Magnet dimensions	mm	156 x 75 x 20
OD x ID x h	(in.)	(6.14 x 2.95 x 0.78)
Coil material		Copper
Former material		Polyimide
Cone material		Water Resistant Treated Paper
Surround material		Polycotton
Xmax (4)	mm (in.)	3,2 (0.12)
Xmech (5)	mm (in.)	7,2 (0.28)
Gap height	mm (in.)	8 (0.31)
Voice coil winding height	mm (in.)	10,4 (0.41)
Driver displacement volume	l (ft ³)	2,32 (0.082)
Recommended enclosure	l (ft ³)	36,75 (1.30)
Recommended tuning	Hz	90

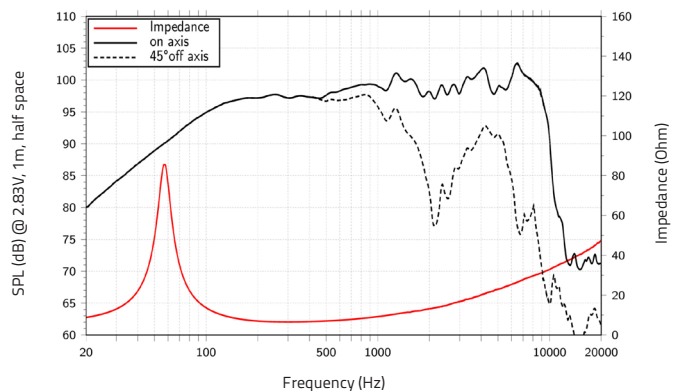
SMALL SIGNAL PARAMETERS

DC resistance	Re	Ohm	5,9
Resonance frequency	Fs	Hz	59
Moving mass	Mms	g (oz)	42,5 (1.5)
Compliance	Cms	mm/N	0,172
Force factor	BxL	N/A	14,76
Mechanical Q-factor	Qms		5,18
Electrical Q-factor	Qes		0,43
Total Q-factor	Qts		0,39
Equivalent air volume	Vas	l (ft ³)	68,7 (2.43)
Voice coil Inductance	Le	mH	0,55
Diaphragm area	Sd	cm ² (in. ²)	531 (82.3)
Reference efficiency	Eta 0	%	3,15
Efficiency bandwidth product	EBP	Hz	143

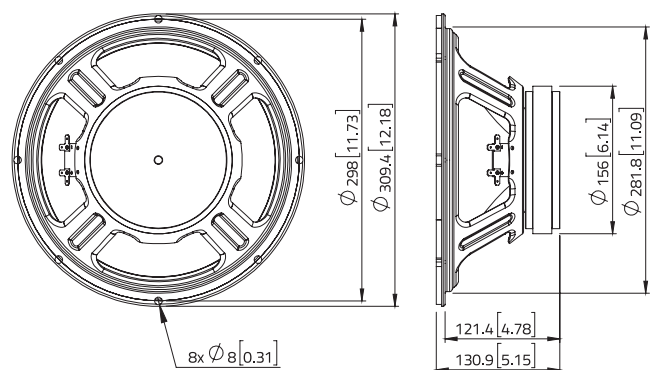
SHIPPING INFORMATION

Net weight	kg (lb.)	4,4 (9.7)
Multipack size (1)	mm	365 x 365 x 175
W x D x H	(in.)	(14.4 x 14.4 x 6.9)
Multipack weight	kg (lb.)	5,8 (12.8)

FREQUENCY RESPONSE AND IMPEDANCE



DIMENSIONS mm (in.)



(1) Program power is defined as 3 dB greater than AES Power. (2) Tested for two hours using a continuous, band-limited pink noise signal as per AES 2-1984 Rev. 2003. Loudspeaker tested in free air. (3) From T/S parameters, measured with Klippel DA LPM module. (4) The Xmax is calculated as: $(Hvc - Hg)/2 + Hg/4$. Hvc is the voice coil height and Hg the gap height. (5) The Xmech is calculated as: $(Hvc - Hg)/2 + (Hg - 2)$. Hvc is the voice coil height and Hg the gap height. (6) Thiele-Small parameters are measured after preconditioning: a) at 20°C - 22°C, 50% humidity for 2 hours; b) by Klippel LSI measurement.

All specifications subject to change without notice_H.2



WSF122.50

12" WOOFER

250W power handling, high efficiency and an optimised frequency response ensures WSF122.50 delivers a professional performance every time. Suitable for combos or monitor speakers.



FERRITE MAGNET
STEEL BASKET DRIVER

WWW.LAVOCESPEAKERS.COM

250 W

2.5" VC

97,5 dB

50-3000 Hz

GENERAL SPECIFICATIONS

Nominal diameter	mm (in.)	300 (12)
Nominal impedance	Ω	8
Minimum impedance	Ω	6,6
Program power (1)	W	500
AES Power rating (2)	W	250
Sensitivity (3)	dB	97,5
Frequency range	Hz	50 ÷ 3000
Voice coil diameter	mm (in.)	65 (2.5)
Chassis material		Steel
Magnet material		Ferrite
Magnet dimensions OD x ID x h	mm (in.)	160 x 70 x 20 (6.3 x 2.76 x 0.79)
Coil material		Copper
Former material		Glass Fiber
Cone material		Water Resistant Treated Paper + Water Proof Front Side Treatment
Surround material		Polycotton
Xmax (4)	mm (in.)	4,7 (0.19)
Xmech (5)	mm (in.)	8,8 (0.35)
Gap height	mm (in.)	8,2 (0.32)
Voice coil winding height	mm (in.)	13,4 (0.53)
Driver displacement volume	l (ft ³)	2 (0.07)
Recommended enclosure	l (ft ³)	46,7 (1.65)
Recommended tuning	Hz	55

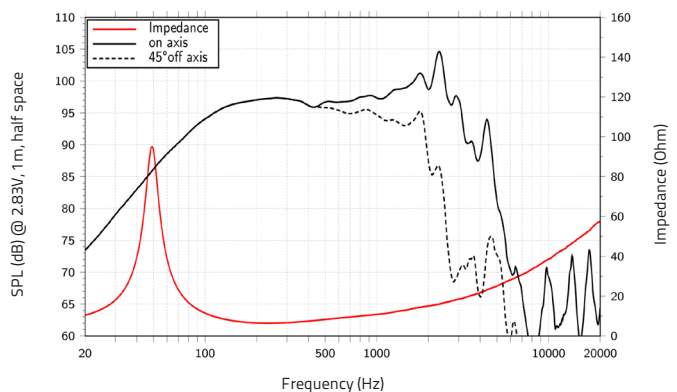
SMALL SIGNAL PARAMETERS

DC resistance	Re	Ohm	5,6
Resonance frequency	Fs	Hz	49
Moving mass	Mms	g (oz)	58,5 (2.06)
Compliance	Cms	mm/N	0,18
Force factor	BxL	N/A	17,1
Mechanical Q-factor	Qms		5,54
Electrical Q-factor	Qes		0,35
Total Q-factor	Qts		0,33
Equivalent air volume	Vas	l (ft ³)	71,72 (2.53)
Voice coil Inductance	Le	mH	0,76
Diaphragm area	Sd	cm ² (in. ²)	531 (82.3)
Reference efficiency	Eta 0	%	2,37
Efficiency bandwidth product	EBP	Hz	140

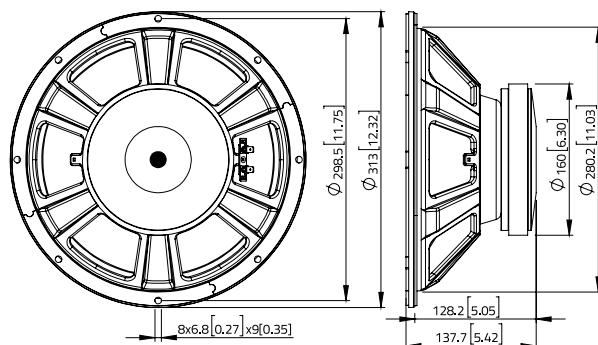
SHIPPING INFORMATION

Net weight	kg (lb.)	4,7 (10.3)
Multipack size (1) W x D x H	mm (in.)	340 x 340 x 230 (13.4 x 13.4 x 9)
Multipack weight	kg (lb.)	6 (13.3)

FREQUENCY RESPONSE AND IMPEDANCE

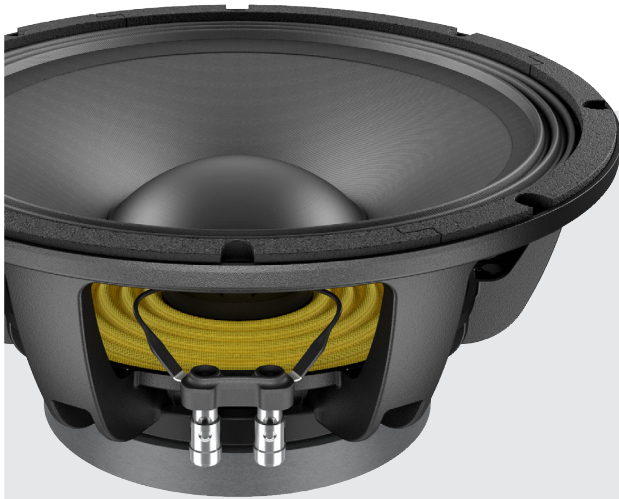


DIMENSIONS mm (in.)



(1) Program power is defined as 3 dB greater than AES Power. (2) Tested for two hours using a continuous, band-limited pink noise signal as per AES 2-1984 Rev. 2003. Loudspeaker tested in free air. (3) From T/S parameters, measured with Klippel DA LPM module. (4) The Xmax is calculated as: $(Hvc - Hg)/2 + Hg/4$. Hvc is the voice coil height and Hg the gap height. (5) The Xmech is calculated as: $(Hvc - Hg)/2 + (Hg - 2)$. Hvc is the voice coil height and Hg the gap height. (6) Thiele-Small parameters are measured after preconditioning: a) at 20°C - 22°C, 50% humidity for 2 hours; b) by Klippel LSI measurement.

All specifications subject to change without notice_H.2



WAF122.50

12" WOOFER

Very high 350W power handling with a smooth midband response and a robust aluminium basket makes the WAF122.50 a dependable and hard wearing performer for portable applications.



FERRITE MAGNET
ALUMINIUM BASKET DRIVER

WWW.LAVOCESPEAKERS.COM

350 W

2.5" VC

97,5 dB

60-3000 Hz

GENERAL SPECIFICATIONS

Nominal diameter	mm (in.)	300 (12)
Nominal impedance	Ω	8
Minimum impedance	Ω	6,8
Program power (1)	W	700
AES Power rating (2)	W	350
Sensitivity (3)	dB	97,5
Frequency range	Hz	60 ÷ 3000
Voice coil diameter	mm (in.)	65 (2.5)
Chassis material	Aluminium	
Magnet material	Ferrite	
Magnet dimensions	mm (in.)	170 x 75 x 20 (6.69 x 2.95 x 0.79)
Coil material	CCAW	
Former material	Glass Fiber	
Cone material	Water Resistant Treated Paper + Water Proof Front Side Treatment	
Surround material	Polycotton	
Xmax (4)	mm (in.)	6,1 (0.24)
Xmech (5)	mm (in.)	11,6 (0.46)
Gap height	mm (in.)	10 (0.39)
Voice coil winding height	mm (in.)	17,2 (0.68)
Driver displacement volume	l (ft ³)	2,6 (0.09)
Recommended enclosure	l (ft ³)	50 (1.77)
Recommended tuning	Hz	65

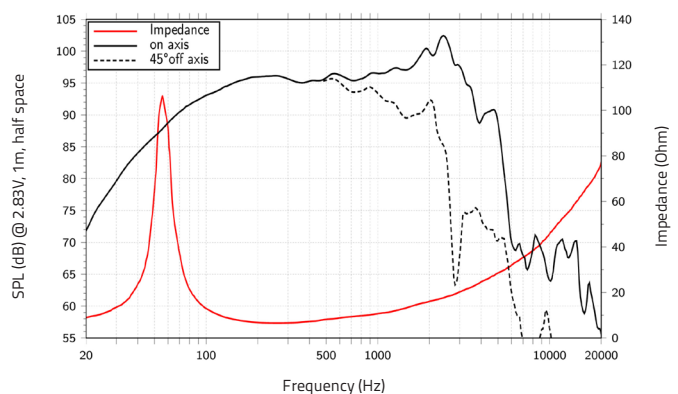
SMALL SIGNAL PARAMETERS

DC resistance	Re	Ohm	5,6
Resonance frequency	Fs	Hz	56
Moving mass	Mms	g (oz)	62,1 (2.19)
Compliance	Cms	mm/N	0,128
Force factor	BxL	N/A	17,9
Mechanical Q-factor	Qms		6,41
Electrical Q-factor	Qes		0,39
Total Q-factor	Qts		0,36
Equivalent air volume	Vas	l (ft ³)	50,95 (1.8)
Voice coil Inductance	Le	mH	0,94
Diaphragm area	Sd	cm ² (in. ²)	531 (82.3)
Reference efficiency	Eta 0	%	2,29
Efficiency bandwidth product	EBP	Hz	144

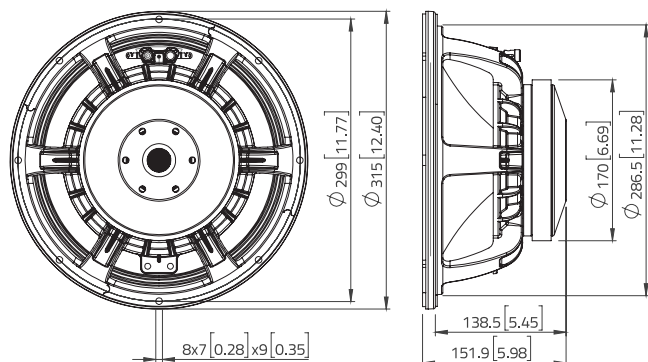
SHIPPING INFORMATION

Net weight	kg (lb.)	6,3 (13.9)
Multipack size (1)	mm (in.)	362 x 362 x 195 (14.2 x 14.2 x 7.7)
Multipack weight	kg (lb.)	7,8 (17.1)

FREQUENCY RESPONSE AND IMPEDANCE



DIMENSIONS mm (in.)



(1) Program power is defined as 3 dB greater than AES Power. (2) Tested for two hours using a continuous, band-limited pink noise signal as per AES 2-1984 Rev. 2003. Loudspeaker tested in free air. (3) From T/S parameters, measured with Klippel DA LPM module. (4) The Xmax is calculated as: $(Hvc - Hg)/2 + Hg/4$. Hvc is the voice coil height and Hg the gap height. (5) The Xmech is calculated as: $(Hvc - Hg)/2 + (Hg - 2)$. Hvc is the voice coil height and Hg the gap height. (6) Thiele-Small parameters are measured after preconditioning: a) at 20°C - 22°C, 50% humidity for 2 hours; b) by Klippel LSI measurement.

All specifications subject to change without notice_H.a



WAN123.00

12" WOOFER

Designed for professional applications, the smooth response, 500W rating, optimized neo motor, aluminum voice coil and robust aluminium basket makes the WAN123.00 a serious contender for premium combos.



NEODYMIUM MAGNET
ALUMINIUM BASKET DRIVER

WWW.LAVOCESPEAKERS.COM

500 W

3" VC

99 dB

50-3000 Hz

GENERAL SPECIFICATIONS

Nominal diameter	mm (in.)	300 (12)
Nominal impedance	Ω	8
Minimum impedance	Ω	5,7
Program power (1)	W	1000
AES Power rating (2)	W	500
Sensitivity (3)	dB	99
Frequency range	Hz	50 ÷ 3000
Voice coil diameter	mm (in.)	75 (3)
Chassis material	Aluminium	
Magnet material	Neodymium	
Magnet dimensions	mm (in.)	75,4 x 10 (2.97 x 0.39)
Coil material	CCAW	
Former material	Glass Fiber	
Cone material	Water Resistant Treated Paper + Water Proof Front Side Treatment	
Surround material	Polycotton	
Xmax (4)	mm (in.)	6,9 (0.27)
Xmech (5)	mm (in.)	12,7 (0.5)
Gap height	mm (in.)	10,5 (0.41)
Voice coil winding height	mm (in.)	19 (0.75)
Driver displacement volume	l (ft ³)	2,4 (0.08)
Recommended enclosure	l (ft ³)	62,3 (2.2)
Recommended tuning	Hz	55

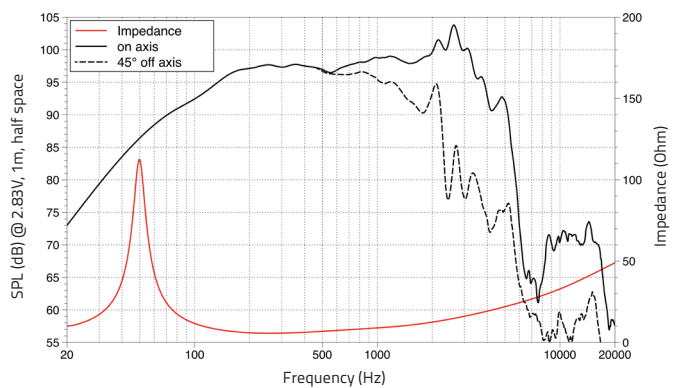
SMALL SIGNAL PARAMETERS

DC resistance	Re	Ohm	4,8
Resonance frequency	Fs	Hz	49
Moving mass	Mms	g (oz)	61,5 (2.17)
Compliance	Cms	mm/N	0,172
Force factor	BxL	N/A	17,9
Mechanical Q-factor	Qms		6,54
Electrical Q-factor	Qes		0,28
Total Q-factor	Qts		0,27
Equivalent air volume	Vas	l (ft ³)	68,8 (2.43)
Voice coil Inductance	Le	mH	0,69
Diaphragm area	Sd	cm ² (in. ²)	531 (82.3)
Reference efficiency	Eta 0	%	2,75
Efficiency bandwidth product	EBP	Hz	175

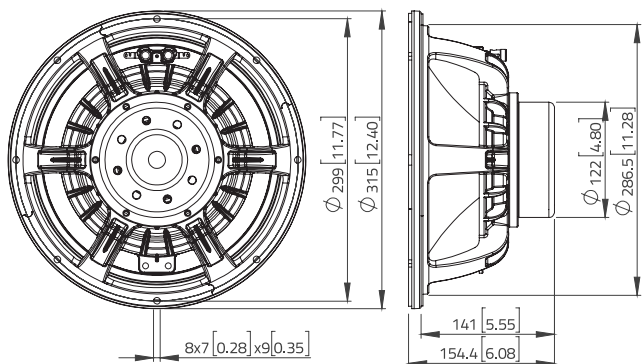
SHIPPING INFORMATION

Net weight	kg (lb.)	5,2 (11.4)
Multipack size (1)	mm (in.)	360 x 360 x 195 (14.2 x 14.2 x 7.7)
Multipack weight	kg (lb.)	6,5 (14.3)

FREQUENCY RESPONSE AND IMPEDANCE



DIMENSIONS mm (in.)



(1) Program power is defined as 3 dB greater than AES Power. (2) Tested for two hours using a continuous, band-limited pink noise signal as per AES 2-1984 Rev. 2003. Loudspeaker tested in free air. (3) From T/S parameters, measured with Klippel DA LPM module. (4) The Xmax is calculated as: $(Hvc - Hg)/2 + Hg/4$. Hvc is the voice coil height and Hg the gap height. (5) The Xmech is calculated as: $(Hvc - Hg)/2 + (Hg - 2)$. Hvc is the voice coil height and Hg the gap height. (6) Thiele-Small parameters are measured after preconditioning: a) at 20°C - 22°C, 50% humidity for 2 hours; b) by Klippel LSI measurement.

All specifications subject to change without notice_H.4

TOP-END DYNAMICS

PROFESSIONAL HIGH FREQUENCY DEVICES

WWW.LAVOCESPEAKERS.COM

This selection of compact and robust HF solutions are serious candidates for delivering the crisp top-end of an acoustic guitar or keyboard, or the dynamic snap of a bass guitar, in portable combos or cabinets. Each model has been carefully optimised to offer a low distortion characteristic and a smooth frequency response together with that essential balance of performance, quality and price.

Model	Size in	Magnet	AES Power W	VC Ø In.	Nominal Impedance Ω	Sensitivity dB	Frequency range Hz	Acoustic	Bass	Electric	Keyboard
TN100.70	1	Neo	10	0.75	8	89	1500 - 30000	■	-	-	-
TN131.00	1.3	Neo	15	1	8 / 16	92	1250 - 30000	■	-	-	-
BF10.10LA	1	Ferrite	20	1	8	106	2500 - 18000	-	■	-	■
DN07.10LM	0.75	Neo	10	1	8 / 16	109	2000 - 18000	-	■	-	■
DF10.101LM	1	Ferrite	15	1	8	107	1500 - 18000	-	■	-	■
DF10.101L	1	Ferrite	20	1	8	107	1500 - 18000	-	■	-	■



NEODYMIUM MAGNET



Optional faceplate

TN100.70

1" SOFT DOME TWEETER

A compact tweeter solution with a 10W rating and smooth response to 30kHz, TN100.70 is a refined HF option for smaller acoustic combos. Available with or without the heatsink and with optional mounting plate.



WWW.LAVOCESPEAKERS.COM

10 W

0.75" VC

89 dB

1500-30000 Hz

GENERAL SPECIFICATIONS

Nominal diameter	mm (in.)	25 (1)
Nominal impedance	Ω	8
Minimum impedance	Ω	6,3
Program power (1)	W	20
AES power above 2.5 kHz (12dB/oct) (2)	W	10
Sensitivity (3)	dB	89
Frequency range	Hz	1500 ÷ 30000
Voice coil diameter	mm (in.)	20 (0.75)
Magnet material		Neodymium
Coil material		CCAW
Former material		Polyimide
Diaphragm and Surround material		Textile
Ferrofluid		YES

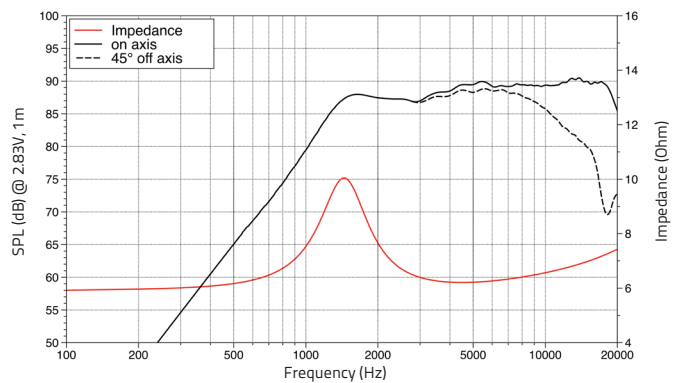
SMALL SIGNAL PARAMETERS

DC resistance	Re	Ohm	5,9
Resonance frequency	Fs	Hz	1500
Moving mass	Mms	g (oz)	0,16 (0.01)
Compliance	Cms	mm/N	0,070
Force factor	BxL	N/A	1,75
Mechanical Q-factor	Qms		2
Electrical Q-factor	Qes		2,9
Total Q-factor	Qts		1,2
Voice coil inductance	Le	mH	0,030
Diaphragm area	Sd	cm ² (in. ²)	5,6 (0.87)

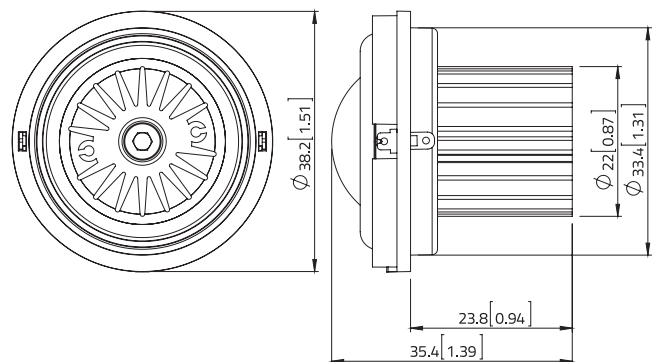
SHIPPING INFORMATION

Net weight	kg (lb.)	0,05 (0.1)
Multipack size (100)	mm	310 x 310 x 210
W x D x H	(in.)	(12.2 x 12.2 x 8.3)
Multipack weight	kg (lb.)	6,2 (13.7)

FREQUENCY RESPONSE AND IMPEDANCE



DIMENSIONS mm (in.)



(1) Program power is defined as 3 dB greater than AES Power. (2) Tested with heat sink for two hours using a continuous, band-limited pink noise signal as per AES 2-1984 Rev. 2003. (3) Measured on axis at 2.83V, 1m, halfspace, average SPL in the frequency range



NEODYMIUM MAGNET



Optional faceplate

TN131.00

1.3" SOFT DOME TWEETER

The lightweight TN131.00 offers a high fidelity performance to 30kHz, 15W rating, super smooth response and an impressive off-axis response. Available with or without the heatsink and with optional mounting plate.



WWW.LAVOCESPEAKERS.COM

15 W

1" VC

92 dB

1250-30000 Hz

GENERAL SPECIFICATIONS

Nominal diameter	mm (in.)	32 (1.3)
Nominal impedance	Ω	8
Minimum impedance	Ω	6,3
Program power (1)	W	30
AES power above 2.5 kHz (12dB/oct) (2)	W	15
Sensitivity (3)	dB	92
Frequency range	Hz	1250 ÷ 30000
Voice coil diameter	mm (in.)	25 (1)
Magnet material		Neodymium
Coil material		CCAW
Former material		Polyimide
Diaphragm and Surround material		Textile
Ferrofluid		YES

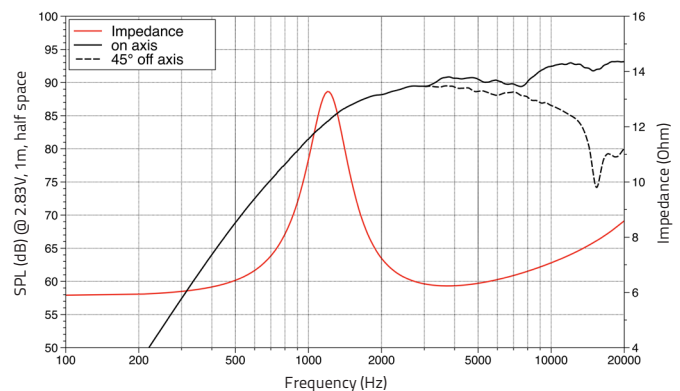
SMALL SIGNAL PARAMETERS

DC resistance	Re	Ohm	5,8
Resonance frequency	Fs	Hz	1250
Moving mass	Mms	g (oz)	0,34 (0.01)
Compliance	Cms	mm/N	0,05
Force factor	BxL	N/A	2,9
Mechanical Q-factor	Qms		2,3
Electrical Q-factor	Qes		1,84
Total Q-factor	Qts		1,00
Voice coil inductance	Le	mH	0,04
Diaphragm area	Sd	cm ² (in. ²)	8,8 (1.36)

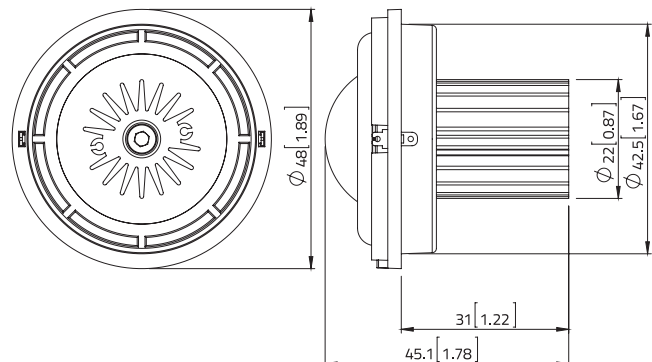
SHIPPING INFORMATION

Net weight	kg (lb.)	0,08 (0.18)
Multipack size (100)	mm	358 x 295 x 300
W x D x H	(in.)	(14.1 x 11.6 x 11.8)
Multipack weight	kg (lb.)	10 (22)

FREQUENCY RESPONSE AND IMPEDANCE



DIMENSIONS mm (in.)



(1) Program power is defined as 3 dB greater than AES Power. (2) Tested with heat sink for two hours using a continuous, band-limited pink noise signal as per AES 2-1984 Rev. 2003. (3) Measured on axis at 2.83V, 1m, halfspace, average SPL in the frequency range



FERRITE MAGNET

BF10.10LA

1" COMPRESSION TWEETER

Including an integral horn, aluminium diaphragm and a smooth response, BF10.10LA is a convenient and robust solution for adding professional HF to a full range combo that delivers every time.



WWW.LAVOCESPEAKERS.COM

20 W

1" VC

106 dB

2500-18000 Hz

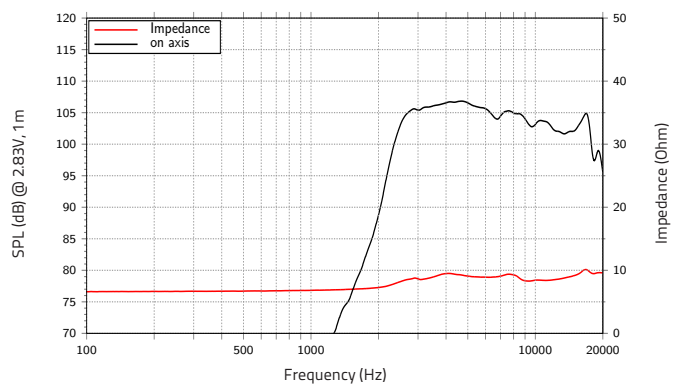
GENERAL SPECIFICATIONS

Nominal impedance	Ω	8
Minimum impedance	Ω	7,5
Program power (1)	W	40
AES Power rating (2)	W	20
Sensitivity (3)	dB	106
Frequency range	Hz	2500 ÷ 18000
Voice coil diameter	mm (in.)	25,4 (1)
Magnet material	Ferrite	
Magnet OD	mm (in.)	72 (2.8)
Coil material	CCAW	
Former material	Kapton	
Diaphragm material	Aluminium	
Surround material	Aluminium	
Voice coil Inductance	mH	0,03
Flux density	T	1,5
Recommended crossover (4)	Hz	5000
Driver displacement volume	l (ft ³)	0,2 (0.007)

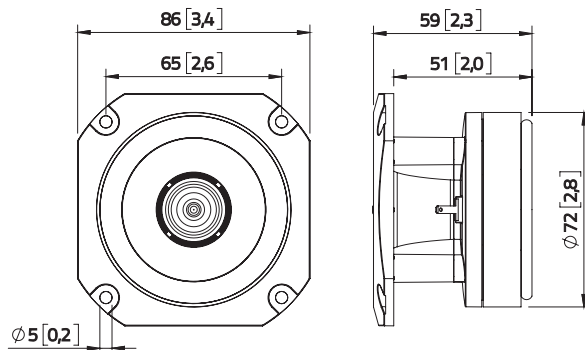
SHIPPING INFORMATION

Net weight	kg (lb.)	0,6 (1.3)
Multipack size (12)	mm	375 x 290 x 180
W x D x H	(in.)	(14.8 x 11.4 x 7.1)
Multipack weight	kg (lb.)	8,4 (18.5)

FREQUENCY RESPONSE AND IMPEDANCE

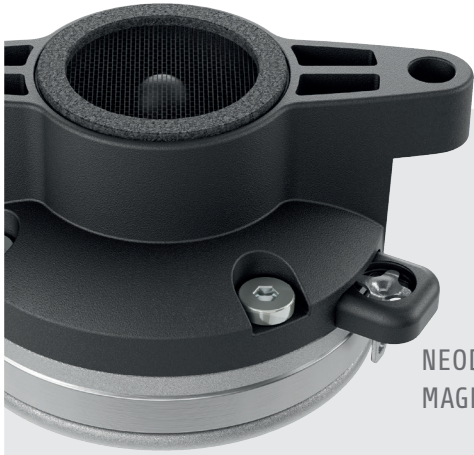


DIMENSIONS mm (in.)



(1) Program power is defined as 3 dB greater than AES Power. (2) Tested 2h with continuous, band-limited (5000-20000 Hz, 12dB/oct.) pink noises per AES 2-1984 Rev. 2003. (3) Measured on axis at 2.83V, 1m, SPL averaged in the frequency range 2500 ÷ 18000 Hz. (4) Highpass filter with slope 12dB/oct. or higher.

All specifications subject to change without notice_H.

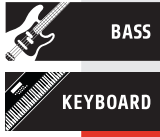


NEODYMIUM
MAGNET

DN07.10LM

0,75" COMPRESSION DRIVER

The ultra compact DN07.10LM has a diameter of only 46mm, weighs just 0.15kg and offers a robust 10W rating with an attractive frequency response. Suitable for existing 0.75 inch horns or for custom integral horn baffle designs.



WWW.LAVOCESPEAKERS.COM

10 W 1" VC 109 dB 2000-18000 Hz

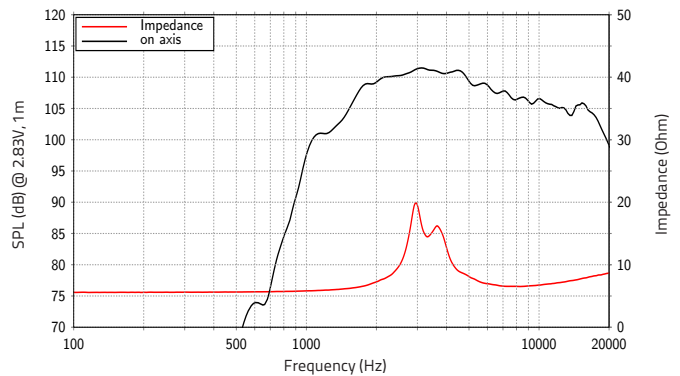
GENERAL SPECIFICATIONS

Throat diameter	mm (in.)	19 (0,75)
Nominal impedance	Ω	8
Minimum impedance	Ω	6,8
Program power (1)	W	20
AES Power rating (2)	W	10
Sensitivity (3)	dB	109
Frequency range	Hz	2000 ÷ 18000
Voice coil diameter	mm (in.)	25,4 (1)
Magnet material		Neodymium
Magnet OD	mm (in.)	46 (1.8)
Coil material		CCAW
Former material		Kapton
Diaphragm material		Polyester
Surround material		Polyester
Voice coil Inductance	mH	0,04
Flux density	T	1,65
Recommended crossover (4)	Hz	2500
Driver displacement volume	l (ft³)	0,04 (0.001)

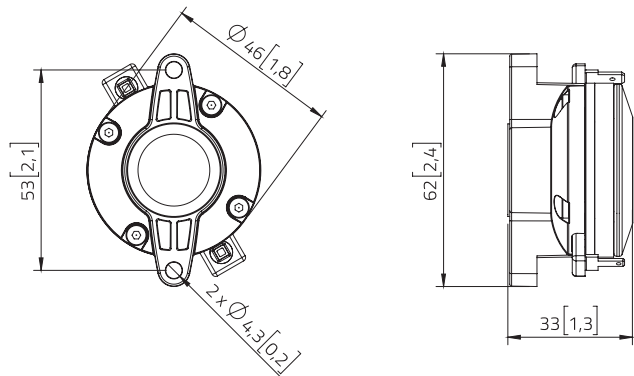
SHIPPING INFORMATION

Net weight	kg (lb.)	0,15 (0.33)
Multipack size (18)	mm	260 x 245 x 130
W x D x H	(in.)	(10.2 x 9.6 x 5.1)
Multipack weight	kg (lb.)	3,6 (7.9)

FREQUENCY RESPONSE AND IMPEDANCE



DIMENSIONS mm (in.)



(1) Program power is defined as 3 dB greater than AES Power. (2) Horn loaded test for 2h with continuous, band-limited (2500-20000 Hz, 12dB/oct.) pink noise as per AES 2-1984 Rev. 2003. (3) Measured on axis at 2.83V, 1m, driver loaded with 60° x 40° horn, SPL averaged in the frequency range 2000 ÷ 18000 Hz. (4) High pass filter with slope 12dB/oct. or higher.

All specifications subject to change without notice_H.a



FERRITE
MAGNET

DF10.101LM

1" COMPRESSION DRIVER

A professional compression driver with a controlled response to 18kHz and a polyester diaphragm for a crisp and clear high frequency response, the DF10.101LM is perfect for full range combo applications.



WWW.LAVOCESPEAKERS.COM

15 W

1" VC

107 dB

1500-18000 Hz

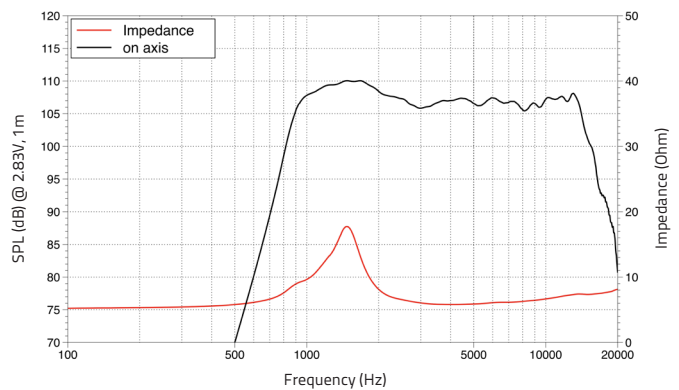
GENERAL SPECIFICATIONS

Throat diameter	mm (in.)	25,4 (1)
Nominal impedance	Ω	8
Minimum impedance	Ω	6,0
Program power (1)	W	30
AES Power rating (2)	W	15
Sensitivity (3)	dB	107
Frequency range	Hz	1500 ÷ 18000
Voice coil diameter	mm (in.)	25,4 (1)
Magnet material		Ferrite
Magnet OD	mm (in.)	85 (3.3)
Coil material		CCA W
Former material		Kapton
Diaphragm material		Polyester
Surround material		Polyester
Voice coil Inductance	mH	0,03
Flux density	T	1,5
Recommended crossover (4)	Hz	2500
Driver displacement volume	l (ft ³)	0,2 (0.007)

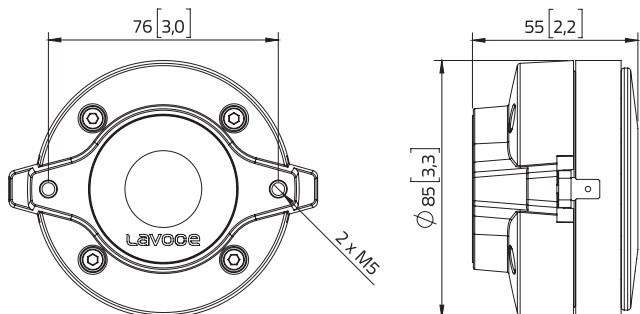
SHIPPING INFORMATION

Net weight	kg (lb.)	0,8 (1.7)
Multipack size (12)	mm	505 x 475 x 100
W x D x H	(in.)	(19.9 x 18.7 x 3.9)
Multipack weight	kg (lb.)	11,5 (25.2)

FREQUENCY RESPONSE AND IMPEDANCE



DIMENSIONS mm (in.)



(1) Program power is defined as 3 dB greater than AES Power. (2) Tested for two hours using a continuous, band-limited (2500-20000 Hz, 12dB/oct.) pink noise signal as per AES 2-1984 Rev. 2003. (3) Driver mounted on HD1003 horn. (4) Measured on axis at 2.83V, 1m, SPL averaged in the frequency range 1500 ÷ 18000 Hz. (5) High pass filter with slope 12dB/oct. or higher.



FERRITE
MAGNET

DF10.101L

1" COMPRESSION DRIVER

Designed for professional high frequency reproduction, the DF10.101L has a smooth response to 18kHz and a high temperature polymer diaphragm to offer a robust HF solution for bass or keyboard applications



WWW.LAVOCESPEAKERS.COM

20 W

1" VC

107 dB

1500-18000 Hz

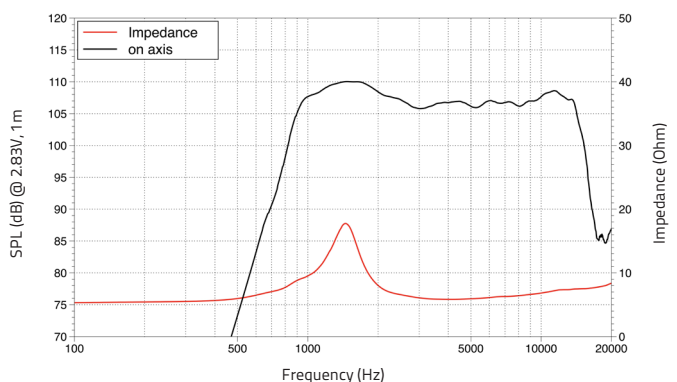
GENERAL SPECIFICATIONS

Throat diameter	mm (in.)	25,4 (1)
Nominal impedance	Ω	8
Minimum impedance	Ω	6,0
Program power (1)	W	40
AES Power rating (2)	W	20
Sensitivity (3)	dB	107
Frequency range	Hz	1500 ÷ 18000
Voice coil diameter	mm (in.)	25,4 (1)
Magnet material		Ferrite
Magnet OD	mm (in.)	85 (3.3)
Coil material		CCA W
Former material		Kapton
Diaphragm material		High temperature polymer
Surround material		High temperature polymer
Voice coil Inductance	mH	0,03
Flux density	T	1,5
Recommended crossover (4)	Hz	2500
Driver displacement volume	l (ft ³)	0,2 (0.007)

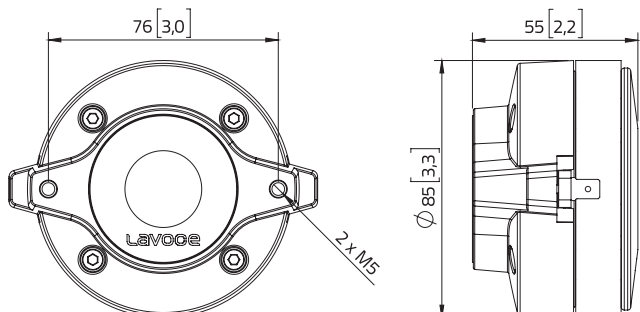
SHIPPING INFORMATION

Net weight	kg (lb.)	0,8 (1.7)
Multipack size (12)	mm	510 x 425 x 100
W x D x H	(in.)	(20.1 x 16.7 x 3.9)
Multipack weight	kg (lb.)	11,5 (25.2)

FREQUENCY RESPONSE AND IMPEDANCE



DIMENSIONS mm (in.)



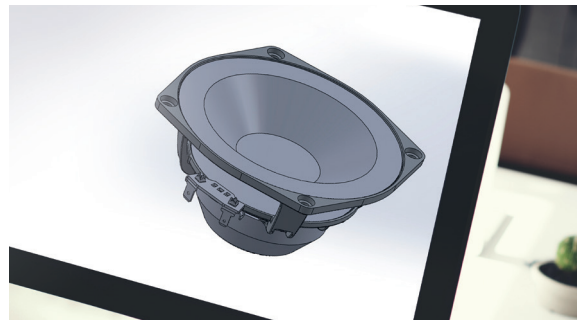
(1) Program power is defined as 3 dB greater than AES Power. (2) Tested for two hours using a continuous, band-limited (2500-20000 Hz, 12dB/oct.) pink noise signal as per AES 2-1984 Rev. 2003. (3) Driver mounted on HD1003 horn. (4) Measured on axis at 2.83V, 1m, SPL averaged in the frequency range 1500 ÷ 18000 Hz. (5) High pass filter with slope 12dB/oct. or higher.

TECHNICAL SUPPORT

WWW.LAVOCESPEAKERS.COM

SIMPLIFIED 3D DRAWINGS

We know how useful it can be for our customers to have simplified 3D drawings easily available, so we have added a link to download them on every product page on our website www.lavocespeakers.com.



PRODUCT WARRANTY

Our warranty period is 3 years from date of purchase. Please refer to our Terms of Warranty, which can also be found on our support page www.lavocespeakers.com/support/.



TECHNICAL SUPPORT

Our website and support page are regularly updated, but if you cannot find the answer you are looking for, please send your enquiry to support@lavocespeakers.com.



LAVOCE's mission is continuous improvement.
We reserve the right to change products specifications
and/or cosmetics without prior notice.

EXPRESSIVE SPEAKER SOLUTIONS FOR BACKLINE PROJECTS



WWW.LAVOCESPEAKERS.COM

Lavoce
I T A L I A N A



International sales dept - Italy - T +39 0733 870 840 - M +39 349 4760452 - F +39 0733 870 880 - sales@lavocespeakers.com
Sales office - USA - T +1 615 541 7154 - M +1 615 541 9153 - sales.usa@lavocespeakers.com
Sales office - China - T +86 573 8910 5856 - M +86 186 2181 7905 - F +86 573 8910 5859 - sales.cn@lavocespeakers.com
info@lavocespeakers.com